

- CYLINDER BLOCK

KEY	PART NO.	PART NAME	QTY	REMARKS
1	M800970	BOLT	14	
2	M811815	ENGINE CYLINDER HEAD GASKET	1	NLA; ORDER MIU802007
2	MIU802007	GASKET	1	
3	CH18079	SPRING PIN	2	
4	M811807	PLUG	3	
5	.....	CYLINDER BLOCK	1	
6	MIU800572	CAMSHAFT	1	
7	M87871	BOLT	3	
8	M811882	SHAFT	1	Idle Gear
9	M800006	DOWEL PIN	2	
10	CH10314	PLUG	1	
11	M802255	PIN	2	Seal Housing
12	M802254	PIN	2	Starter Flange
13	MIA880551	BEARING	4	STD
13	AM882418	BEARING KIT	4	.25 MM (.010") US
14	AM882419	BEARING KIT	2	Thrust
15	M87801	PLUG	1	
16	.....	BEARING CAP	1	
17	M87879	BOLT	8	
18	.....	BEARING CAP	3	
19	MIA880096	CYLINDER BLOCK	1	
20	M811805	PLUG	4	
21	CH10335	PLUG	6	
22	M809593	PLUG	1	
..	AM133449	DIESEL ENGINE	1	NLA; ORDER MIA880049; MARKED 3TNV76-XJLTE
..	AM133449	DIESEL ENGINE	1	NLA; ORDER MIA880049; EXPORT
..	MIA880049	SHORT BLOCK ASSEMBLY	1	NLA; ORDER MIA882684
..	MIA882684	SHORT BLOCK ASSEMBLY	1	

**<https://www.ebooklibonline.com>**

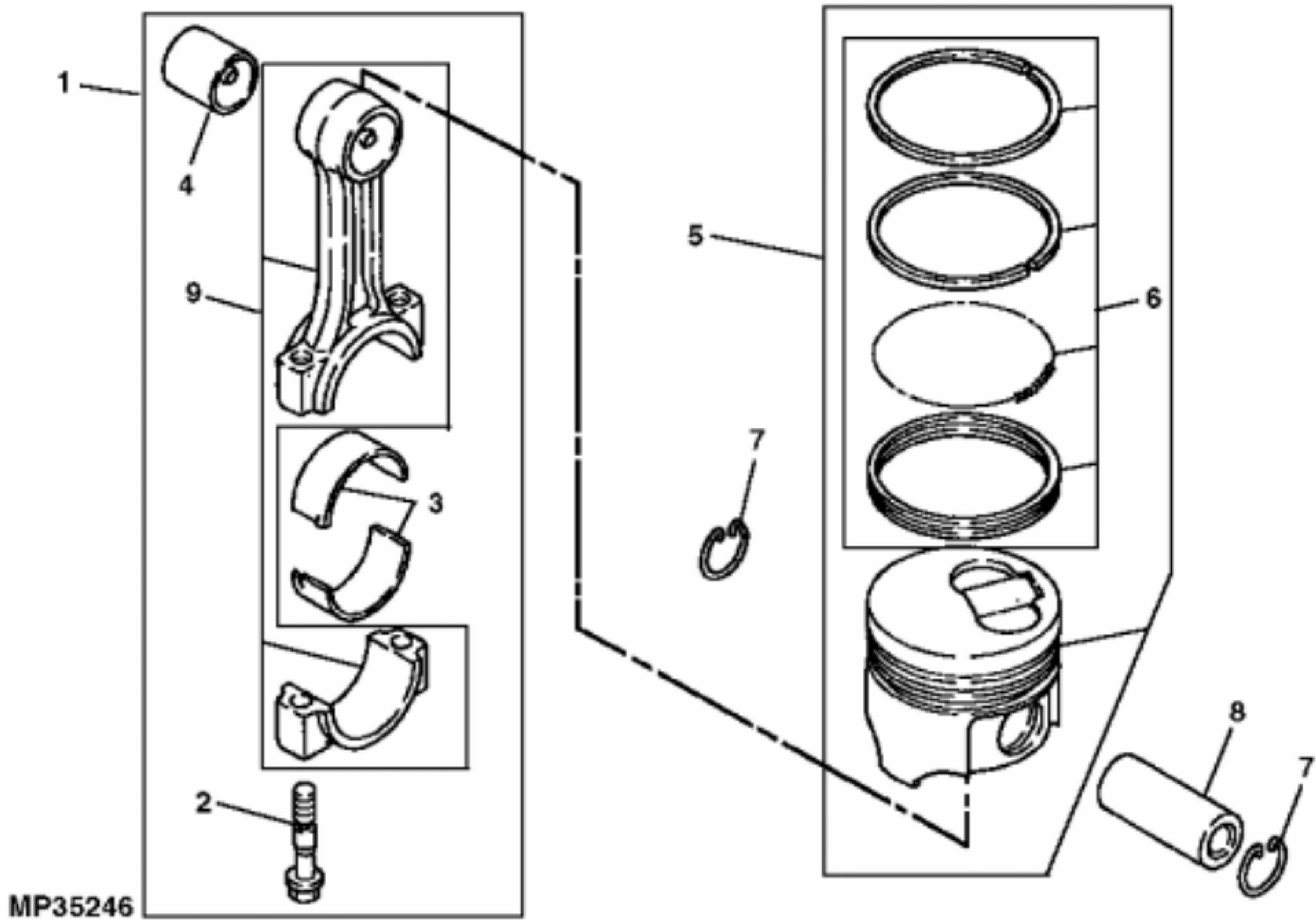
Hello dear friend!

Thank you very much for reading.

Enter the link into your browser.

The full manual is available for immediate download.

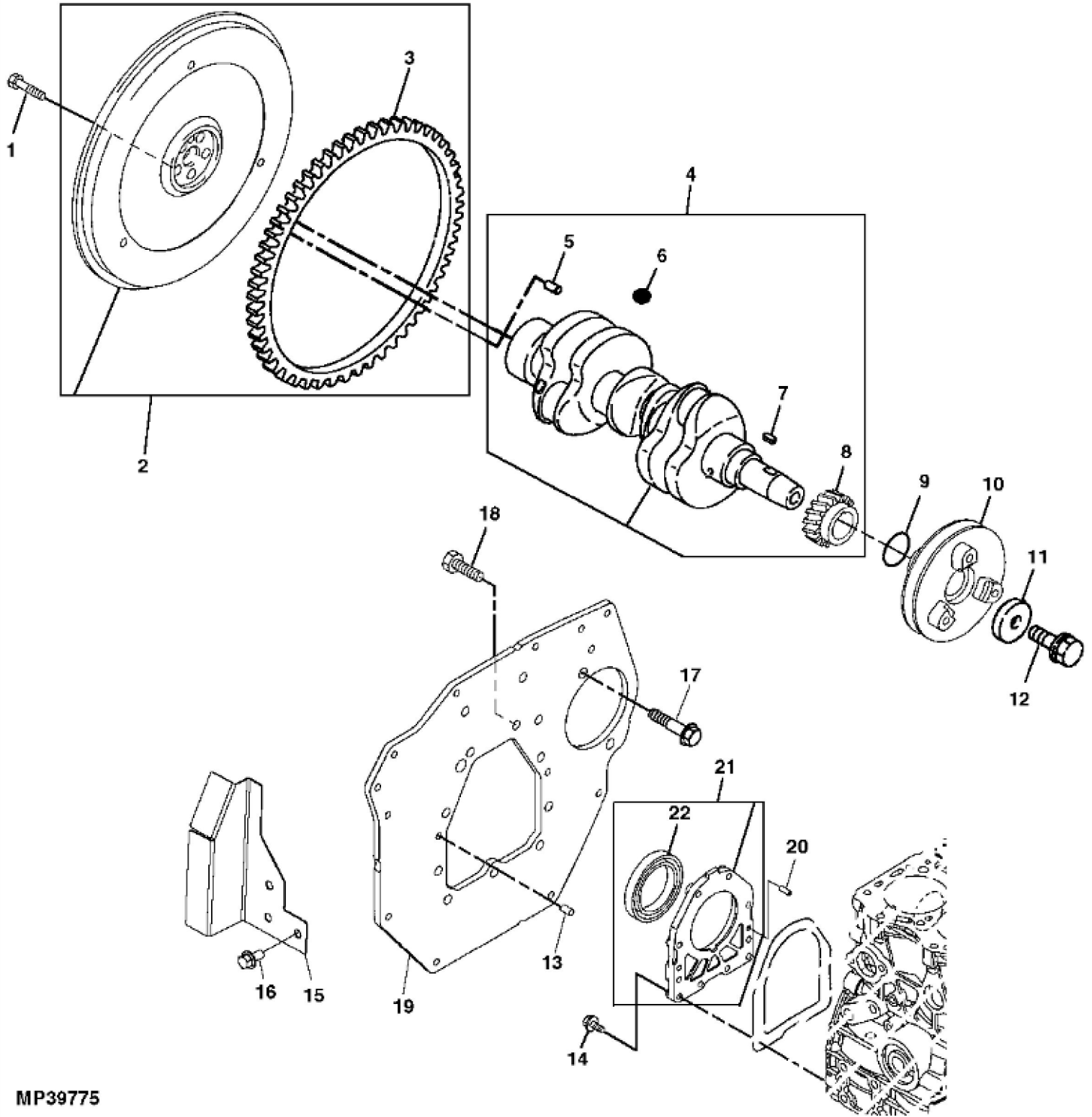
**<https://www.ebooklibonline.com>**



MP35246

## - CONNECTING ROD AND PISTON

KEY	PART NO.	PART NAME	QTY	REMARKS	
1	AM882431	CONNECTING ROD	3	ASSEMBLY	
2	M811877	BOLT	2		
3	MIA880561	BEARING	1	STD	
3	MIA880566	BEARING	1	.25 MM (.010") US	
4	M811880	BUSHING	1		
5	AM882426	PISTON	3	STD	
5	AM882430	PISTON	3	.25 MM (.010") OS	
6	AM882428	PISTON RING KIT	1	STD	
6	AM882429	PISTON RING KIT	1	.25 MM (.010") OS	
7	CH11486	RING	6		
8	M811869	PISTON PIN	3		
9	.....	CONNECTING ROD	1		



MP39775



**Suggest:**

**For more complete manuals. Please go to the home page.**

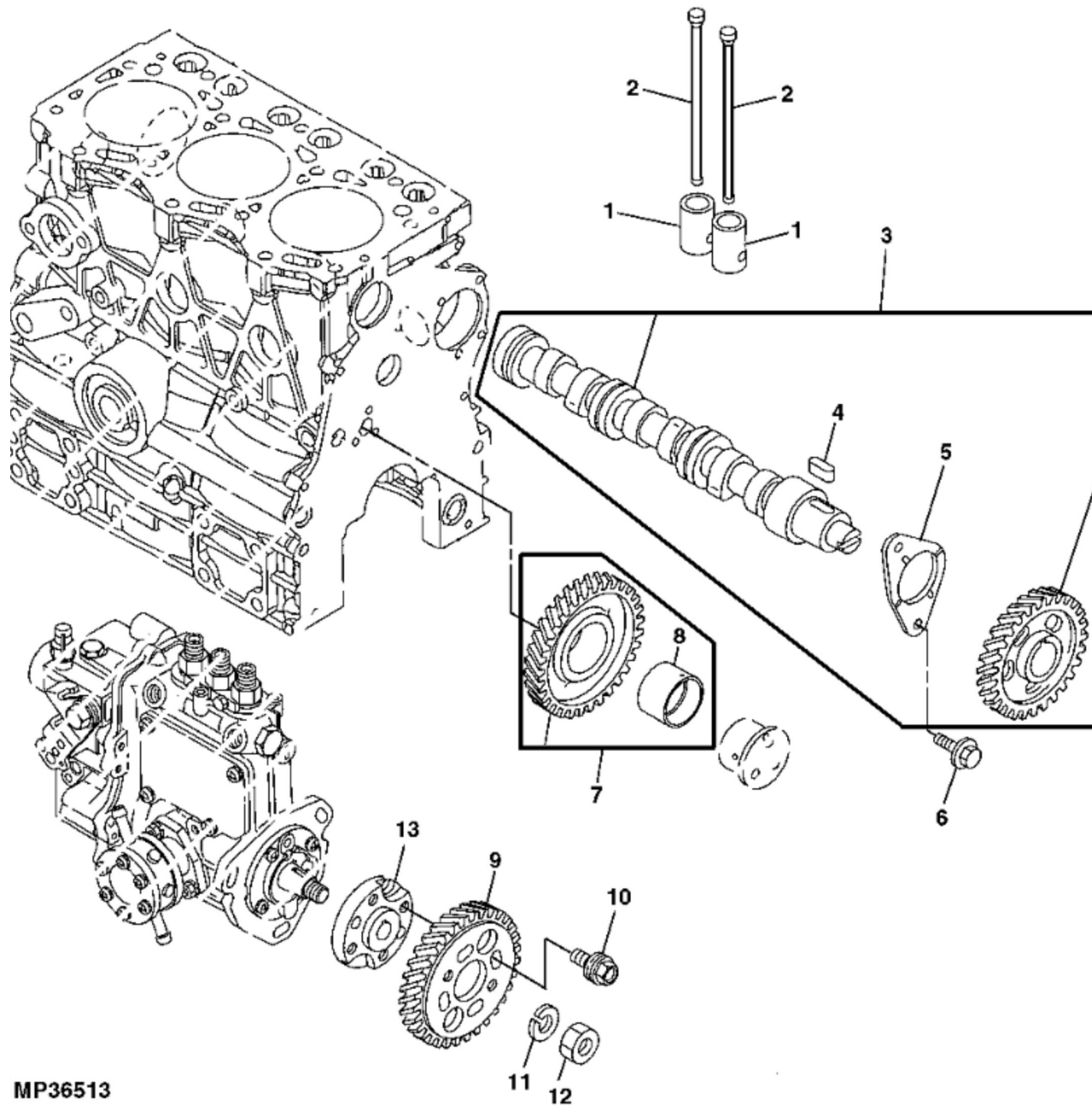
**<https://www.ebooklibonline.com>**

**If the above button click is invalid. Please download this document first, and then click the above link to download the complete manual.**

**Thank you so much for reading**

## - CRANKSHAFT, FLYWHEEL AND MOUNTING FLANGE

KEY	PART NO.	PART NAME	QTY	REMARKS	
1	M87887	BOLT	5		
2	AM882447	FLYWHEEL	1		
3	.....	RING GEAR	1		
4	AM882425	CRANKSHAFT	1		
5	M802255	PIN	1	7.925 X 18.999 mm	
6	400R	BALL	1		
7	M87812	SHAFT KEY	1		
8	M811864	GEAR	1		
9	CH17827	O-RING	1	NLA; ORDER MIU802534	
9	MIU802534	WASHER	1		
10	M811947	PULLEY	1		
11	M811865	WASHER	1	NLA; ORDER MIU802535	
11	MIU802535	WASHER	1		
12	M800075	BOLT	1		
13	M802254	PIN	2	5.944 X 13.310 mm	
14	M87826	BOLT	10		
15	M155804	GUARD	1		
16	19M7784	SCREW	2	M10 X 20	
17	19M7872	CAP SCREW	2	M12 X 25	
18	M800011	BOLT	5		
19	MIU800516	FLANGE	1		
20	M802254	PIN	2	5.944 X 13.310 mm	
21	AM882411	HOUSING	1		
22	M801941	SEAL	1		



MP36513

**<https://www.ebooklibonline.com>**

Hello dear friend!

Thank you very much for reading.

Enter the link into your browser.

The full manual is available for immediate download.

**<https://www.ebooklibonline.com>**