

CYLINDER BLOCK

KEY	PART NO.	PART NAME	QTY	REMARKS
1	M800970	BOLT	14	
2	M811815	ENGINE CYLINDER HEAD GASKET	1	NLA; ORDER MIU802007
2	MIU802007	GASKET	1	
3	CH18079	SPRING PIN	2	
4	M811807	PLUG	3	
5	.....	CYLINDER BLOCK	1	
6	MIU800572	CAMSHAFT	1	(SUB FOR M811828)
7	M87871	BOLT	3	
8	M811882	SHAFT	1	IDLE GEAR
9	M800006	DOWEL PIN	2	
10	CH10314	PLUG	1	
11	M802255	PIN	2	SEAL HOUSING
12	M802254	PIN	2	STARTER FLANGE
13	MIA880551	BEARING	4	STD, (SUB FOR MIA880033)
13	AM882418	BEARING KIT	4	.25 MM (.010") US
14	AM882419	BEARING KIT	2	THRUST
15	M87801	PLUG	1	
16	.....	BEARING CAP	1	
17	M87879	BOLT	8	
18	.....	BEARING CAP	3	
19	MIA880096	CYLINDER BLOCK	1	(SUB FOR AM882444)
20	M811805	PLUG	4	
21	CH10335	PLUG	6	
22	M809593	PLUG	1	
23	AM133448	DIESEL ENGINE	1	NLA; ORDER AM133449; MARKED 3TNV76-XJLT; Not Illustrated
23	AM133449	DIESEL ENGINE	1	NLA; ORDER MIA880049; MARKED 3TNV76-XJLTE; Not Illustrated
23	MIA880049	SHORT BLOCK ASSEMBLY	1	NLA; ORDER MIA882684 ARKED 3TNV76-XJLTE; Not Illustrated
23	MIA882684	SHORT BLOCK ASSEMBLY	1	

**<https://www.ebooklibonline.com>**

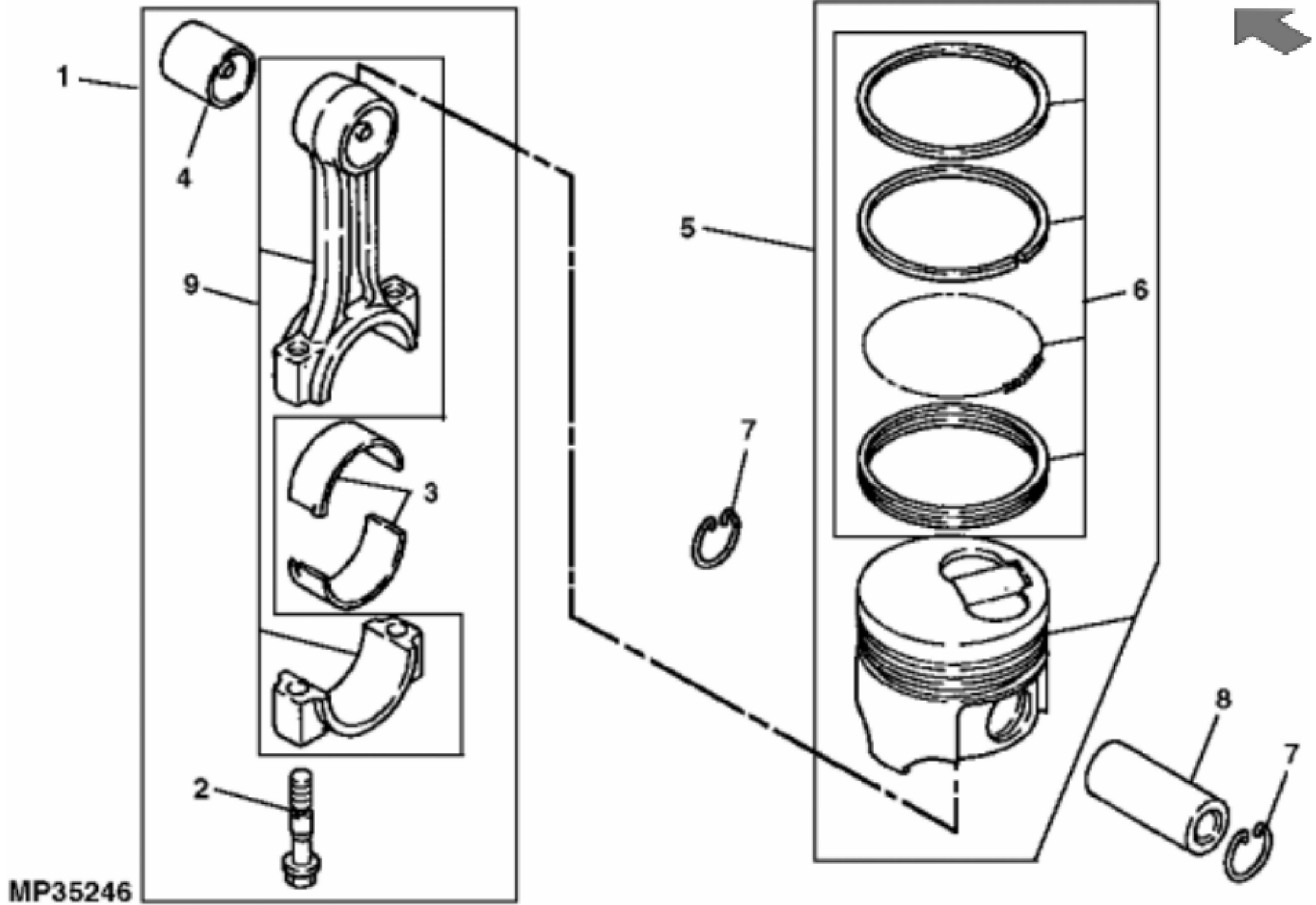
Hello dear friend!

Thank you very much for reading.

Enter the link into your browser.

The full manual is available for immediate download.

**<https://www.ebooklibonline.com>**

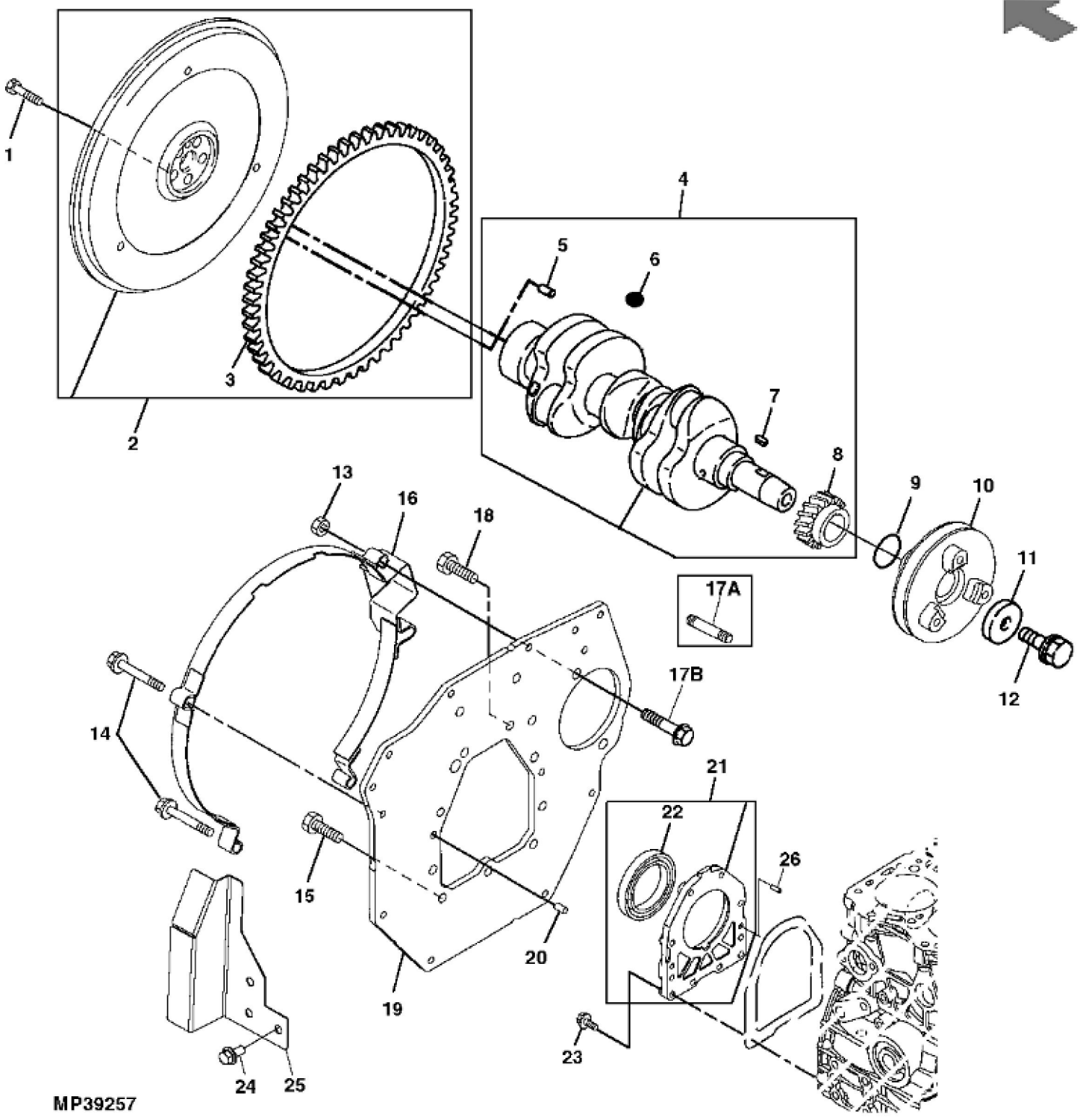


MP35246



## CONNECTING ROD / PISTON

KEY	PART NO.	PART NAME	QTY	REMARKS	
1	AM882431	CONNECTING ROD	3	ASSEMBLY	
2	M811877	BOLT	2		
3	MIA880561	BEARING	1	STD, (SUB FOR AM882432)	
3	MIA880566	BEARING	1	.25 MM (.010") US, (SUB FOR AM882433)	
4	M811880	BUSHING	1		
5	AM882426	PISTON	3	STD	
5	AM882430	PISTON	3	.25 MM (.010") OS	
6	AM882428	PISTON RING KIT	1	STD	
6	AM882429	PISTON RING KIT	1	.25 MM (.010") OS	
7	CH11486	RING	6		
8	M811869	PISTON PIN	3		
9	.....	CONNECTING ROD	1		



MP39257



**Suggest:**

**For more complete manuals. Please go to the home page.**

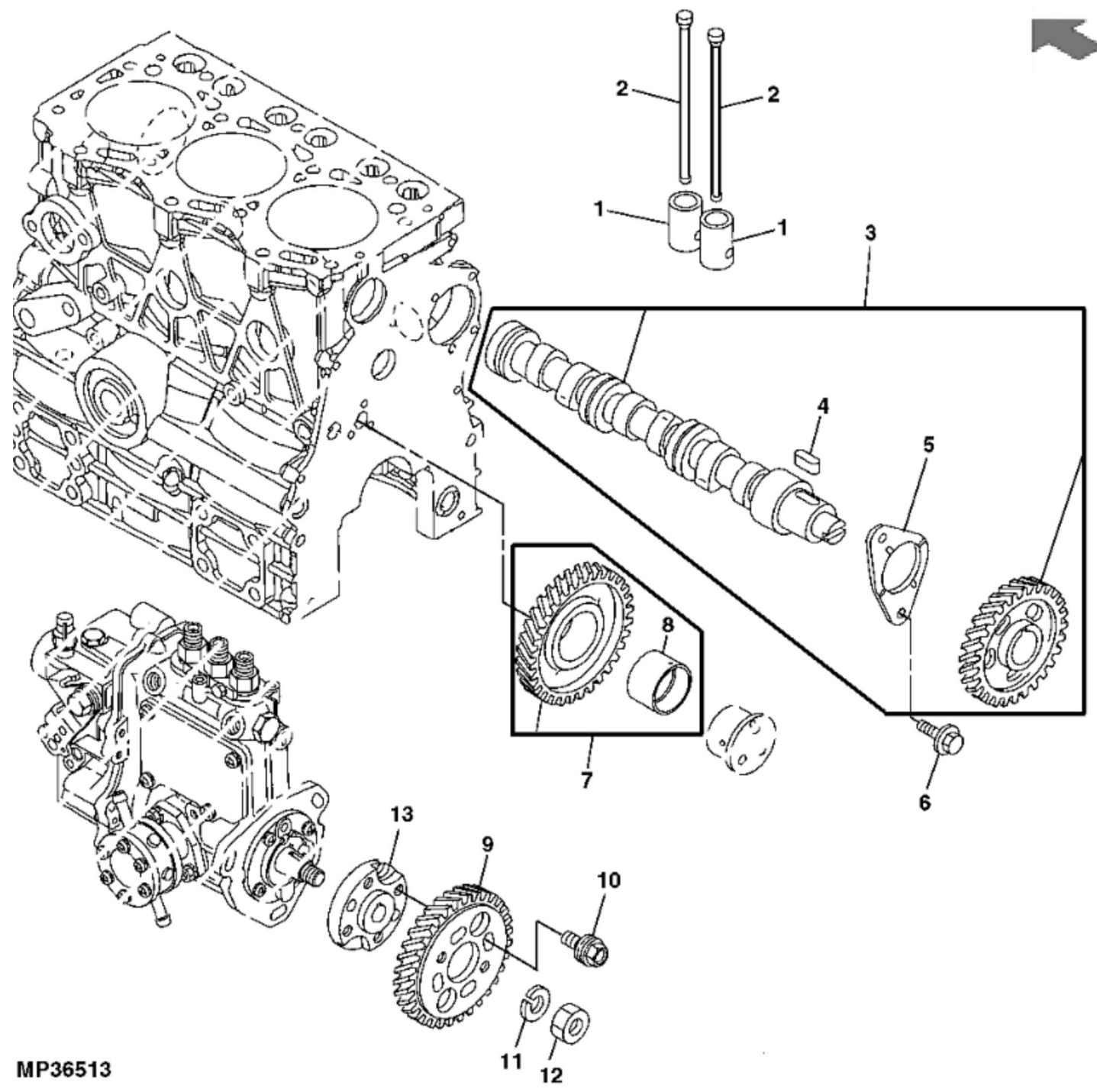
**<https://www.ebooklibonline.com>**

**If the above button click is invalid. Please download this document first, and then click the above link to download the complete manual.**

**Thank you so much for reading**

## CRANKSHAFT / FLYWHEEL / MOUNTING FLANGE

KEY	PART NO.	PART NAME	QTY	Serial No.	REMARKS
1	M87887	BOLT	5		
2	AM882447	FLYWHEEL	1		
3	.....	RING GEAR	1		
4	AM882425	CRANKSHAFT	1		
5	M802255	PIN	1		7.925 X 18.999 mm
6	400R	BALL	1		
7	M87812	SHAFT KEY	1		
8	M811864	GEAR	1		
9	CH17827	O-RING	1		NLA; ORDER MIU802534
9	MIU802534	WASHER	1		
10	M811947	PULLEY	1		
11	M811865	WASHER	1		NLA; ORDER MIU802535
11	MIU802535	WASHER	1		
12	M800075	BOLT	1		
13	CH15585	NUT	2	____-020000	
14	19M7868	SCREW	3	____-020000	M8 X 30
15	19M7402	CAP SCREW	3	____-020000	M10 X 25
16	MIU800518	COVER	1	____-020000	SUB FOR M811944
17A	M87982	STUD	2	____-020000	
17B	19M7872	CAP SCREW	2	020001-____	M12 X 25
18	M800011	BOLT	9	____-020000	
18	M800011	BOLT	5	020001-____	
19	MIU800517	FLANGE	1	____-020000	SUB FOR M811940
19	MIU800516	FLANGE	1	020001-____	
20	M802254	PIN	2		5.944 X 13.310 mm
21	AM882411	HOUSING	1		
22	M801941	SEAL	1		
23	M87826	BOLT	10		
24	19M7784	SCREW	2	020001-____	M10 X 20
25	M155804	GUARD	1	020001-____	
26	M802255	PIN	2		7.925 X 18.999 mm



MP36513

**<https://www.ebooklibonline.com>**

Hello dear friend!

Thank you very much for reading.

Enter the link into your browser.

The full manual is available for immediate download.

**<https://www.ebooklibonline.com>**