

PU12405

John Deere > Turf And Utility >TRACTOR, LAWN AND GARDEN >X739 - TRACTOR, LAWN AND GARDEN >X739 Signature Series Tractor >20 ENGINE MM16177 >ST747644 - CYLINDER HEAD AND CRANKCASE

| KEY | PART NO. | PART NAME                   | QTY | REMARKS                            |
|-----|----------|-----------------------------|-----|------------------------------------|
| 1   | M147294  | VALVE COVER                 | 1   | RH                                 |
| 2   | 19M8903  | SCREW                       | 11  | M6 X 30                            |
| 3   | MIU11493 | BOLT                        | 8   |                                    |
| 4   | M147297  | GASKET                      | 2   |                                    |
| 5   | MIU11492 | BOLT                        | 4   |                                    |
| 6   | M68144   | STUD                        | 4   | MARKED FD750D-JS12; ORDER MIU11949 |
| 6   | MIU11949 | BOLT                        | 1   |                                    |
| 7   | AM132281 | CYLINDER HEAD               | 1   | ORDER MIU14324; RH                 |
| 7   | MIU14324 | CYLINDER HEAD               | 1   | MARKED FD750D-NS12; RH             |
| 8   | M147293  | ENGINE CYLINDER HEAD GASKET | 2   |                                    |
| 9   | MIU14325 | CYLINDER HEAD               | 1   | SUB FOR AM132282                   |
| 10  | M147295  | VALVE COVER                 | 1   | LH                                 |
| 11  | M77734   | CLAMP                       | 2   |                                    |
| 12  | M147307  | TUBE                        | 1   |                                    |
| 13  | 19M7868  | SCREW                       | 4   | M8 X 30                            |
| 14  | M147299  | COVER                       | 1   |                                    |
| 15  | M95848   | SCREW                       | 2   |                                    |
| 16  | M147298  | PLATE                       | 2   |                                    |
| 17  | M147300  | VALVE                       | 2   | Breather                           |
| 18  | M147296  | GASKET                      | 1   |                                    |
| 19  | M147302  | SEAL                        | 1   |                                    |
| 20  | MIU12134 | BEARING                     | 1   |                                    |
| 21  | M127431  | ADAPTER FITTING             | 3   | USE WITH AM132283                  |
| 21  | MIU13767 | ADAPTER FITTING             | 1   | MARKED FD750D-NS12                 |
| 22  | MIA12868 | CRANKCASE                   | 1   | SUB FOR AM132283                   |
| 22  | MIA12868 | CRANKCASE                   | 1   | MARKED FD750D-NS12                 |
| 23  | M70227   | PIN                         | 6   |                                    |
| 24  | M76104   | O-RING                      | 3   |                                    |
| 25  | MIU10833 | SEAL                        | 1   |                                    |
| 26  | 19M8318  | SCREW                       | 6   | M8 X 45                            |
| 27  | M139490  | BOLT                        | 4   | MARKED FD750D-JS12                 |
| 27  | MIU11385 | BOLT                        | 1   | MARKED FD750D-NS12                 |
| 28  | MIA12867 | CRANKCASE                   | 1   | SUB FOR M147763; Cover             |
| 29  | M147303  | SEAL                        | 1   |                                    |

**<https://www.ebooklibonline.com>**

Hello dear friend!

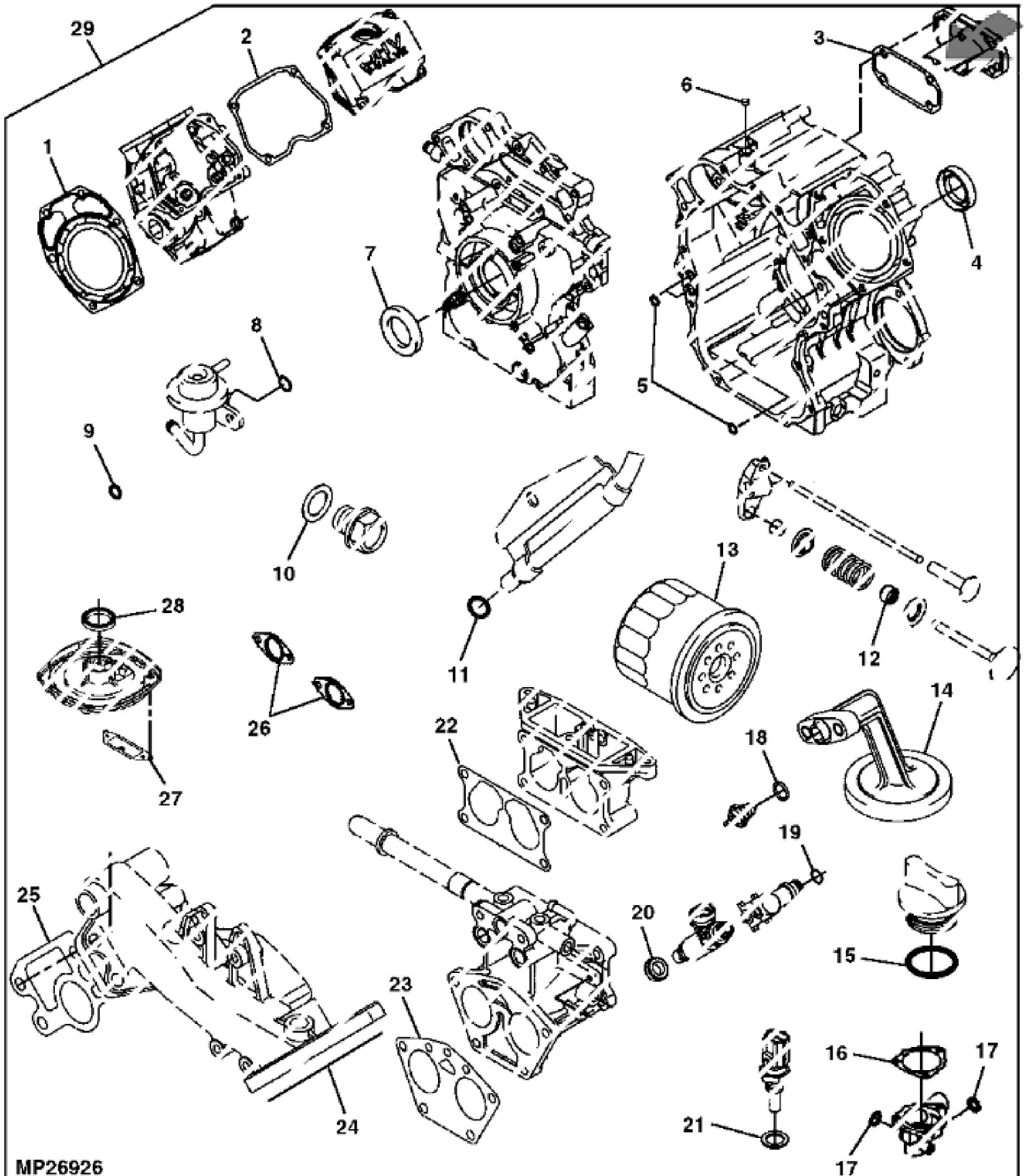
Thank you very much for reading.

Enter the link into your browser.

The full manual is available for immediate download.

**<https://www.ebooklibonline.com>**

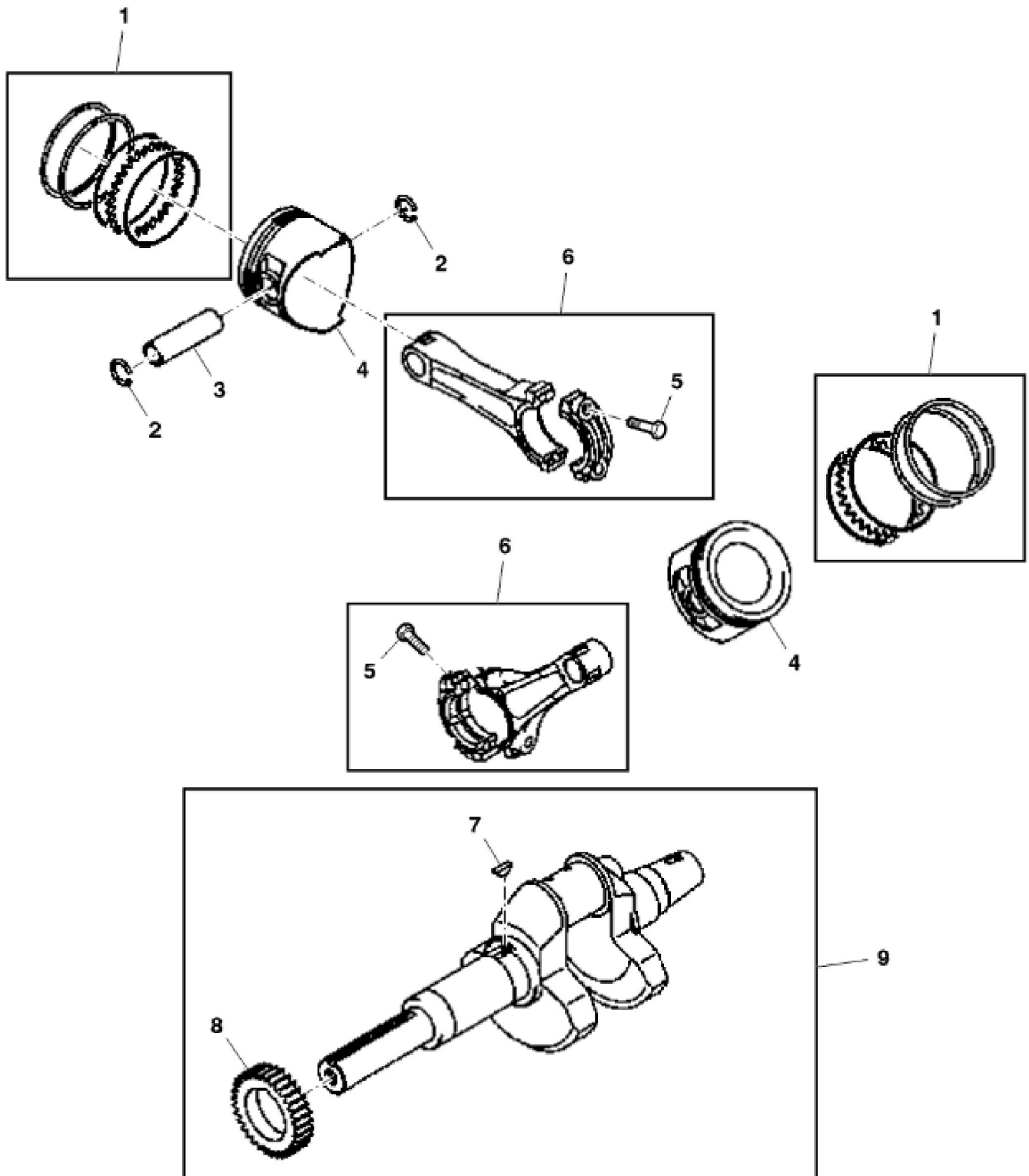
| KEY | PART NO. | PART NAME            | QTY | REMARKS  |
|-----|----------|----------------------|-----|--|
| 30  | 24M7095  | WASHER               | 12  | 8.400 X 15 X 1.600 mm, Head Bolt                     |
| 31  | MIU14326 | BEARING              | 1   | USE WITH MIA12867                                    |
| 32  | M70227   | PIN                  | 6   |  |
| 33  | M94242   | BOLT                 | 8   | (Not Illustrated)                                    |
| 34  | MIA12032 | GASOLINE ENGINE      | 1   | (Not Illustrated) MARKED FD750D-HS12; ORDER MIA12550 |
| 34  | MIA12550 | GASOLINE ENGINE      | 1   | (Not Illustrated) MARKED FD750D-JS12; ORDER MIA12563 |
| 34  | MIA12563 | GASOLINE ENGINE      | 1   | (Not Illustrated) MARKED FD750D-KS12; ORDER MIA12669 |
| 34  | MIA12669 | GASOLINE ENGINE      | 1   | (Not Illustrated) MARKED FD750D-MS12; ORDER MIA12821 |
| 34  | MIA12821 | GASOLINE ENGINE      | 1   | (Not Illustrated) MARKED FD750D-NS12                 |
| 35  | MIA12917 | SHORT BLOCK ASSEMBLY | 1   | (Not Illustrated) SUB FOR MIA11876                   |



MP26926

John Deere > Turf And Utility >TRACTOR, LAWN AND GARDEN >X739 - TRACTOR, LAWN AND GARDEN >X739 Signature Series Tractor >20 ENGINE MM16177 >ST747652 - CYLINDER BLOCK GASKET KIT

| KEY | PART NO. | PART NAME                   | QTY | REMARKS                   |
|-----|----------|-----------------------------|-----|---------------------------|
| 1   | M147293  | ENGINE CYLINDER HEAD GASKET | 2   |                           |
| 2   | M147297  | GASKET                      | 2   | Valve Cover               |
| 3   | M147296  | GASKET                      | 1   | Breather                  |
| 4   | M147302  | SEAL                        | 1   |                           |
| 5   | M76104   | O-RING                      | 5   |                           |
| 6   | MIU10833 | SEAL                        | 1   |                           |
| 7   | M147303  | SEAL                        | 1   |                           |
| 8   | TH102542 | O-RING                      | 1   | Drain Valve Tube          |
| 9   | M94391   | O-RING                      | 2   | Drain Valve Plug          |
| 10  | M76158   | GASKET                      | 3   |                           |
| 11  | M117034  | O-RING                      | 1   |                           |
| 12  | M70034   | SEAL                        | 4   |                           |
| 13  | AM107423 | OIL FILTER                  | 1   |                           |
| 14  | M147328  | ADAPTER FITTING             | 2   |                           |
| 15  | M147334  | O-RING                      | 1   |                           |
| 16  | M147335  | GASKET                      | 1   | Thermostat                |
| 17  | MIU14495 | GASKET                      | 2   | SUB FOR M76150            |
| 18  | M77746   | GASKET                      | 2   |                           |
| 19  | M147383  | GASKET                      | 2   | Intake Pipe               |
| 20  | M147320  | WASHER                      | 1   |                           |
| 21  | M147791  | SEAL                        | 1   |                           |
| 22  | M147384  | GASKET                      | 1   | Air Intake                |
| 23  | M147784  | GASKET                      | 2   | Throttle                  |
| 24  | M147381  | GASKET                      | 2   | Intake Manifold           |
| 25  | M147382  | GASKET                      | 1   | Intake Manifold           |
| 26  | M147400  | GASKET                      | 2   | Exhaust                   |
| 27  | M147401  | GASKET                      | 1   | Air Filter Housing        |
| 28  | M149540  | SEAL                        | 1   |                           |
| 29  | MIA10747 | GASKET KIT                  | 1   |                           |
| 30  | M165621  | PLATE                       | 2   | (Not Illustrated)         |
| 31  | 19M7874  | CAP SCREW                   | 11  | (Not Illustrated) M6 X 30 |





**Suggest:**

**For more complete manuals. Please go to the home page.**

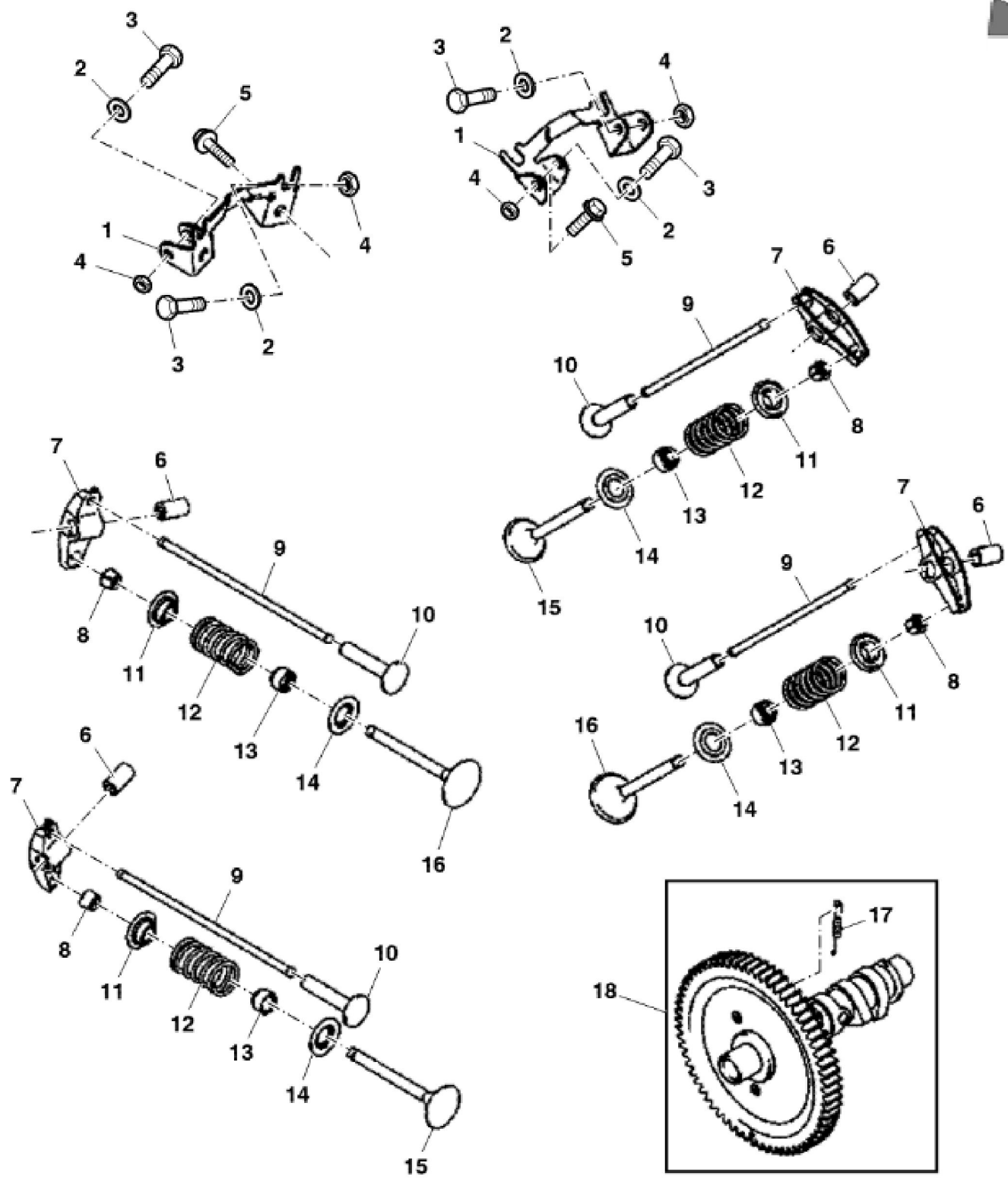
**<https://www.ebooklibonline.com>**

**If the above button click is invalid. Please download this document first, and then click the above link to download the complete manual.**

**Thank you so much for reading**

John Deere > Turf And Utility >TRACTOR, LAWN AND GARDEN >X739 - TRACTOR, LAWN AND GARDEN >X739 Signature Series Tractor >20 ENGINE MM16177 >ST747646 - CRANKSHAFT AND PISTON ASSEMBLY

| KEY | PART NO. | PART NAME       | QTY | REMARKS                        |
|-----|----------|-----------------|-----|--------------------------------|
| 1   | AM102610 | PISTON RING KIT | 2   |                                |
| 1   | AM102612 | PISTON RING KIT | 2   | 0.50 mm, OS                    |
| 2   | M70220   | SNAP RING       | 4   |                                |
| 3   | M70219   | PISTON PIN      | 2   |                                |
| 4   | MIU14328 | PISTON          | 2   | SUB FOR M119153; STD           |
| 4   | M119174  | PISTON          | 2   | 0.50 mm, OS                    |
| 5   | M147310  | BOLT            | 2   |                                |
| 6   | MIA11872 | CONNECTING ROD  | 2   |                                |
| 7   | M77843   | SHAFT KEY       | 1   |                                |
| 8   | M147309  | SPUR GEAR       | 1   | USE WITH MIA10555 AND MIA11873 |
| 8   | MIU14329 | SPUR GEAR       | 1   | MARKED FD750D-NS12             |
| 9   | MIA11873 | CRANKSHAFT      | 1   | ORDER MIA12869                 |
| 9   | MIA12869 | CRANKSHAFT      | 1   |                                |



**<https://www.ebooklibonline.com>**

Hello dear friend!

Thank you very much for reading.

Enter the link into your browser.

The full manual is available for immediate download.

**<https://www.ebooklibonline.com>**