

PU12405

| KEY | PART NO. | PART NAME | QTY | REMARKS |
|-----|----------|-----------------------------|-----|------------------------------------|
| 1 | M147294 | VALVE COVER | 1 | RH |
| 2 | 19M8903 | SCREW | 11 | M6 X 30 |
| 3 | MIU11493 | BOLT | 8 | |
| 4 | M147297 | GASKET | 2 | |
| 5 | MIU11492 | BOLT | 4 | |
| 6 | M68144 | STUD | 4 | MARKED FD750D-JS12; ORDER MIU11949 |
| 6 | MIU11949 | BOLT | 1 | |
| 7 | AM132281 | CYLINDER HEAD | 1 | ORDER MIU14324; RH |
| 7 | MIU14324 | CYLINDER HEAD | 1 | MARKED FD750D-NS12; RH |
| 8 | M147293 | ENGINE CYLINDER HEAD GASKET | 2 | |
| 9 | MIU14325 | CYLINDER HEAD | 1 | SUB FOR AM132282 |
| 10 | M147295 | VALVE COVER | 1 | LH |
| 11 | M77734 | CLAMP | 2 | |
| 12 | M147307 | TUBE | 1 | |
| 13 | 19M7868 | SCREW | 4 | M8 X 30 |
| 14 | M147299 | COVER | 1 | |
| 15 | M95848 | SCREW | 2 | |
| 16 | M147298 | PLATE | 2 | |
| 17 | M147300 | VALVE | 2 | Breather |
| 18 | M147296 | GASKET | 1 | |
| 19 | M147302 | SEAL | 1 | |
| 20 | MIU12134 | BEARING | 1 | |
| 21 | M127431 | ADAPTER FITTING | 3 | USE WITH AM132283 |
| 21 | MIU13767 | ADAPTER FITTING | 1 | MARKED FD750D-NS12 |
| 22 | MIA12868 | CRANKCASE | 1 | SUB FOR AM132283 |
| 22 | MIA12868 | CRANKCASE | 1 | MARKED FD750D-NS12 |
| 23 | M70227 | PIN | 6 | |
| 24 | M76104 | O-RING | 3 | |
| 25 | MIU10833 | SEAL | 1 | |
| 26 | 19M8318 | SCREW | 6 | M8 X 45 |
| 27 | M139490 | BOLT | 4 | MARKED FD750D-JS12 |
| 27 | MIU11385 | BOLT | 1 | MARKED FD750D-NS12 |
| 28 | MIA12867 | CRANKCASE | 1 | SUB FOR M147763; Cover |
| 29 | M147303 | SEAL | 1 | |

<https://www.ebooklibonline.com>

Hello dear friend!

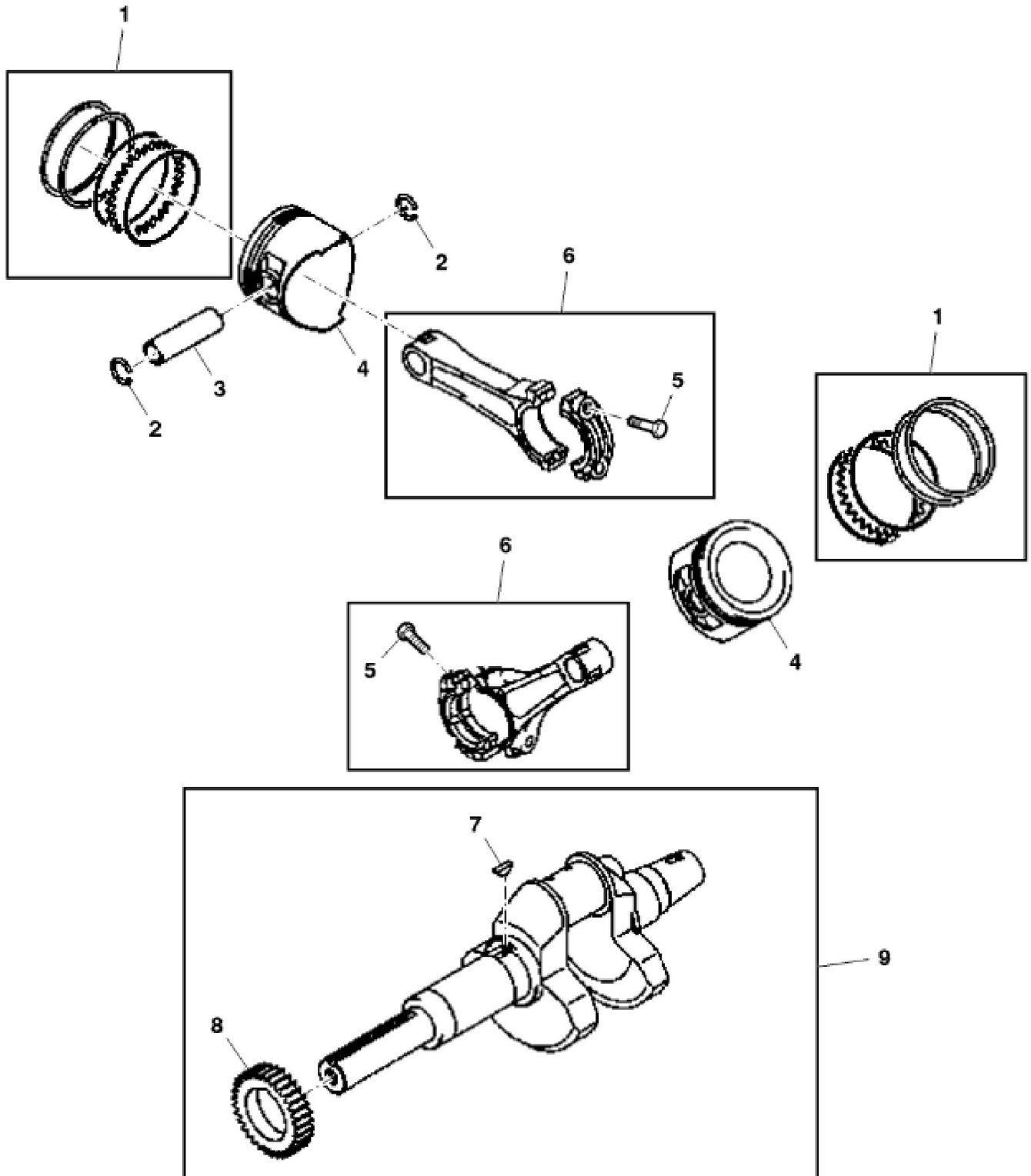
Thank you very much for reading.

Enter the link into your browser.

The full manual is available for immediate download.

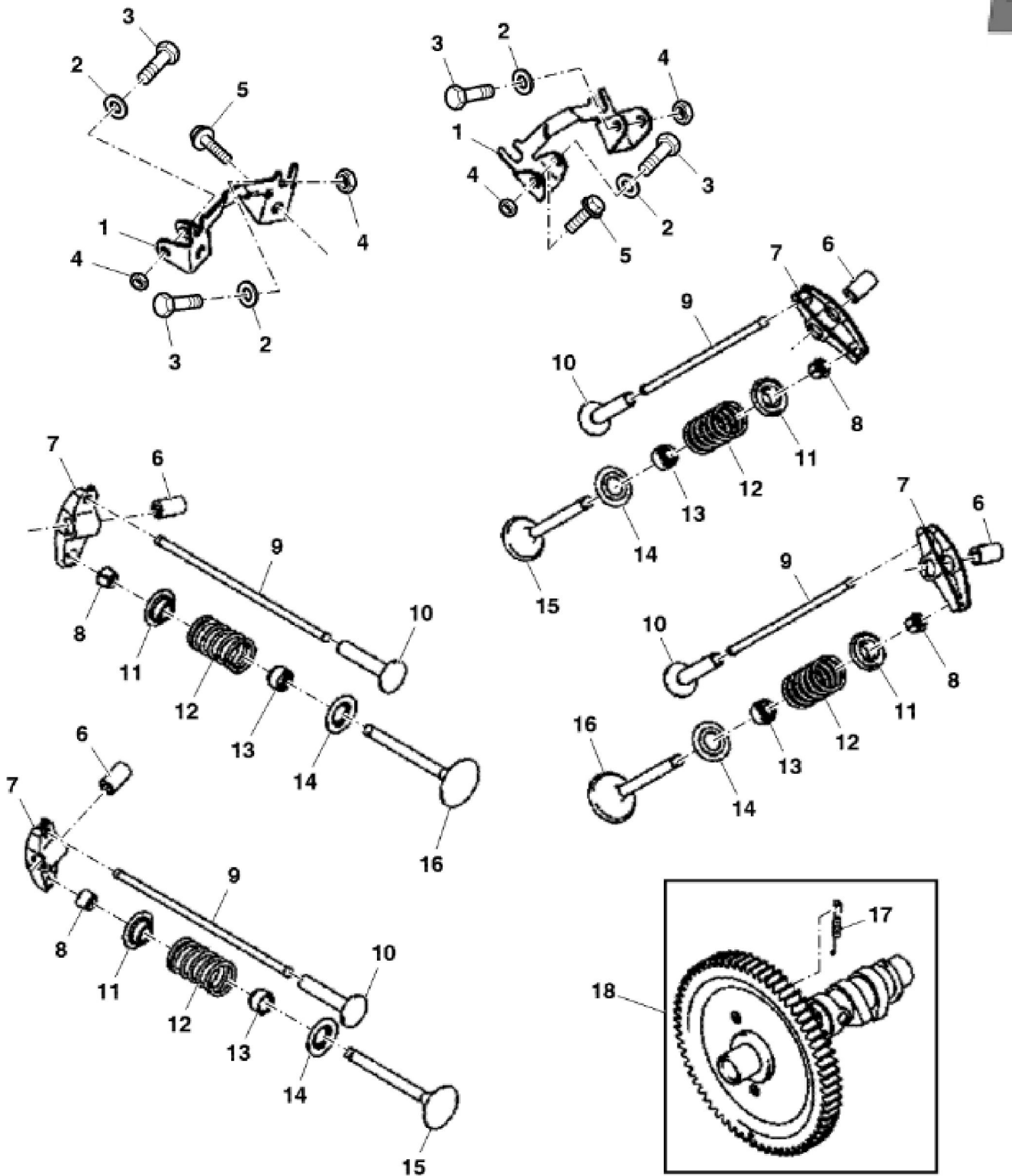
<https://www.ebooklibonline.com>

| KEY | PART NO. | PART NAME | QTY | REMARKS | |
|-----|----------|----------------------|-----|--|--|
| 30 | 24M7095 | WASHER | 12 | 8.400 X 15 X 1.600 mm, Head Bolt | |
| 31 | MIU14326 | BEARING | 1 | USE WITH MIA12867 | |
| 32 | M70227 | PIN | 6 | | |
| 33 | M94242 | BOLT | 8 | (Not Illustrated) | |
| 34 | MIA12032 | GASOLINE ENGINE | 1 | (Not Illustrated) MARKED FD750D-HS12; ORDER MIA12550 | |
| 34 | MIA12550 | GASOLINE ENGINE | 1 | (Not Illustrated) MARKED FD750D-JS12; ORDER MIA12563 | |
| 34 | MIA12563 | GASOLINE ENGINE | 1 | (Not Illustrated) MARKED FD750D-KS12; ORDER MIA12669 | |
| 34 | MIA12669 | GASOLINE ENGINE | 1 | (Not Illustrated) MARKED FD750D-MS12; ORDER MIA12821 | |
| 34 | MIA12821 | GASOLINE ENGINE | 1 | (Not Illustrated) MARKED FD750D-NS12 | |
| 35 | MIA12917 | SHORT BLOCK ASSEMBLY | 1 | (Not Illustrated) SUB FOR MIA11876 | |



John Deere > Turf And Utility >TRACTOR, LAWN AND GARDEN >X734 - TRACTOR, LAWN AND GARDEN >X734 Signature Series Tractor >20 ENGINE MM16177 >ST747646 - CRANKSHAFT AND PISTON ASSEMBLY

| KEY | PART NO. | PART NAME | QTY | REMARKS |
|-----|----------|-----------------|-----|--------------------------------|
| 1 | AM102610 | PISTON RING KIT | 2 | |
| 1 | AM102612 | PISTON RING KIT | 2 | 0.50 mm, OS |
| 2 | M70220 | SNAP RING | 4 | |
| 3 | M70219 | PISTON PIN | 2 | |
| 4 | MIU14328 | PISTON | 2 | SUB FOR M119153; STD |
| 4 | M119174 | PISTON | 2 | 0.50 mm, OS |
| 5 | M147310 | BOLT | 2 | |
| 6 | MIA11872 | CONNECTING ROD | 2 | |
| 7 | M77843 | SHAFT KEY | 1 | |
| 8 | M147309 | SPUR GEAR | 1 | USE WITH MIA10555 AND MIA11873 |
| 8 | MIU14329 | SPUR GEAR | 1 | MARKED FD750D-NS12 |
| 9 | MIA11873 | CRANKSHAFT | 1 | ORDER MIA12869 |
| 9 | MIA12869 | CRANKSHAFT | 1 | |





Suggest:

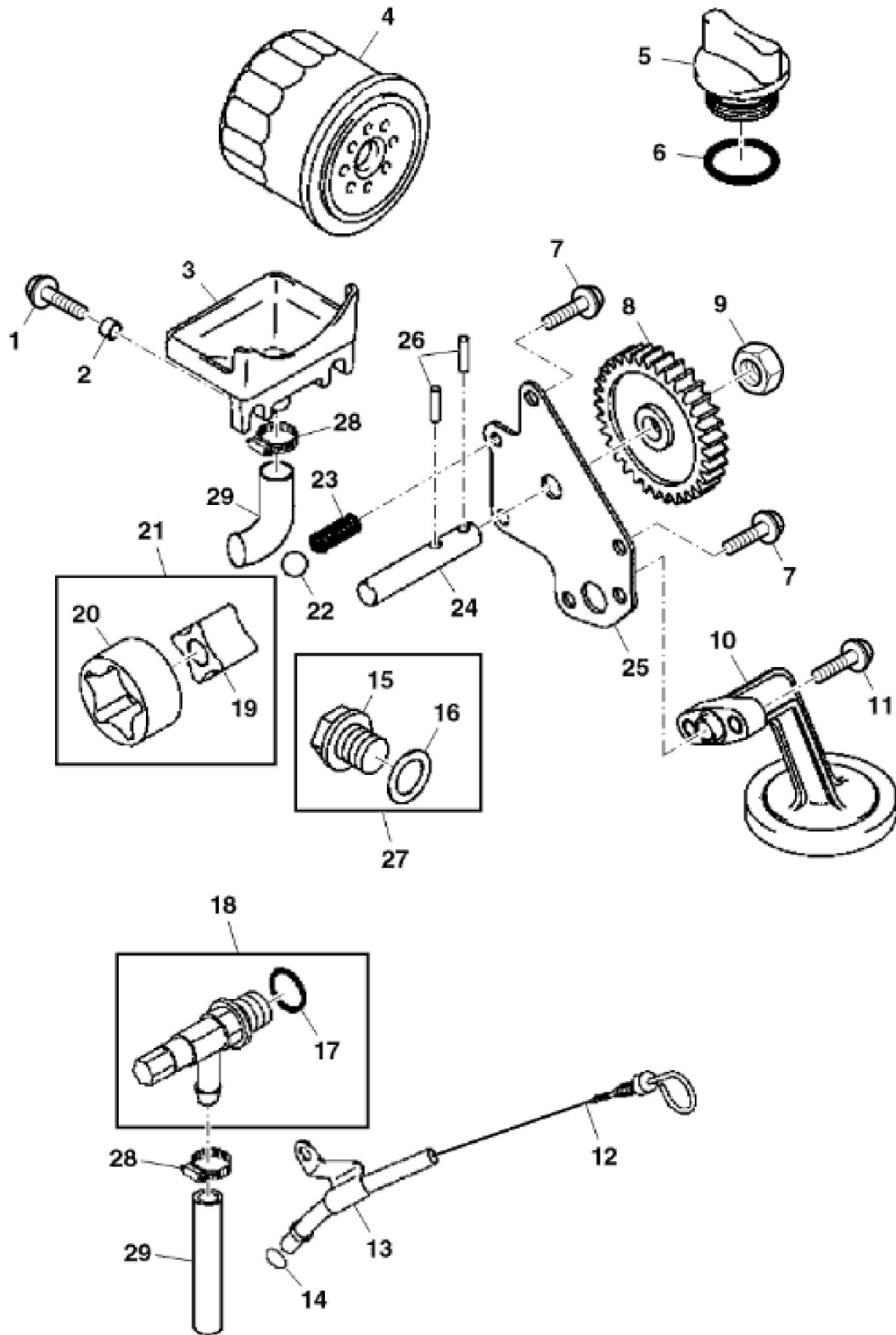
For more complete manuals. Please go to the home page.

<https://www.ebooklibonline.com>

If the above button click is invalid. Please download this document first, and then click the above link to download the complete manual.

Thank you so much for reading

| KEY | PART NO. | PART NAME | QTY | REMARKS | |
|-----|----------|---------------|-----|------------------|--|
| 1 | M147311 | BRACKET | 2 | | |
| 2 | M147320 | WASHER | 4 | | |
| 3 | M147317 | BOLT | 4 | | |
| 4 | 14M7272 | NUT | 5 | M6 | |
| 5 | M147319 | BOLT | 4 | | |
| 6 | M147318 | BUSHING | 4 | | |
| 7 | MIU14434 | ROCKER ARM | 4 | SUB FOR M147314 | |
| 8 | AM132412 | RETAINER | 4 | | |
| 9 | M147315 | PUSH ROD | 4 | | |
| 10 | M70213 | TAPPET | 4 | | |
| 11 | M72322 | WIRE | 4 | | |
| 12 | M70206 | SPRING | 4 | | |
| 13 | M70034 | SEAL | 4 | | |
| 14 | M70033 | SEAT | 4 | Spring | |
| 15 | M147313 | EXHAUST VALVE | 2 | Exhaust | |
| 16 | M147312 | INTAKE VALVE | 2 | Intake | |
| 17 | M147316 | SPRING | 1 | | |
| 18 | MIA12870 | CAMSHAFT | 1 | SUB FOR AM132286 | |



<https://www.ebooklibonline.com>

Hello dear friend!

Thank you very much for reading.

Enter the link into your browser.

The full manual is available for immediate download.

<https://www.ebooklibonline.com>