

John Deere > Turf And Utility >TRACTOR, LAWN AND GARDEN >X728 - TRACTOR, LAWN AND GARDEN >X728 Select Series Ultimate Tractor >20 ENGINE MIA12563 >ST539008 - CYLINDER HEAD AND CRANKCASE

KEY	PART NO.	PART NAME	QTY	REMARKS
1	M147295	VALVE COVER	1	RH
2	19M7874	CAP SCREW	8	M6 X 30
3	MIU11493	BOLT	8	(SUB FOR M147306)
4	M147297	GASKET	2	
5	MIU11492	BOLT	4	(SUB FOR M147305)
6	M68144	STUD	4	NLA; ORDER MIU11949
7	AM132281	CYLINDER HEAD	1	NLA; ORDER MIU14324
7	MIU14324	CYLINDER HEAD	1	RH
8	M147293	ENGINE CYLINDER HEAD GASKET	2	
9	MIU14325	CYLINDER HEAD	1	SUB FOR AM132282
10	M147294	VALVE COVER	1	LH
11	M77734	CLAMP	2	
12	M147307	TUBE	1	
13	19M7868	SCREW	4	M8 X 30
14	M147299	COVER	1	
15	M95848	SCREW	2	
16	M147298	PLATE	2	
17	M147300	VALVE	2	
18	M147296	GASKET	1	
19	M147302	SEAL	1	
20	MIU12134	BEARING	1	SUB FOR M147304
21	M127431	ADAPTER FITTING	1	USE WITH AM132283
22	MIA12868	CRANKCASE	1	SUB FOR AM132283
23	M70227	PIN	6	
24	M76104	O-RING	3	
25	MIU10833	SEAL	1	
26	19M8318	SCREW	6	M8 X 45
27	M139490	BOLT	4	
28	MIA12867	CRANKCASE	1	SUB FOR M147763
29	M147303	SEAL	1	
30	24M7095	WASHER	12	8.400 X 15 X 1.600 mm
31	MIU14326	BEARING	1	USE WITH MIA12867
32	MIA10763	GASOLINE ENGINE	1	(Not Illustrated) MARKED FD750D-CS12; SUB MIA11196
32	MIA11196	GASOLINE ENGINE	1	(Not Illustrated) MARKED FD750D-DS12; SUB MIA11453

<https://www.ebooklibonline.com>

Hello dear friend!

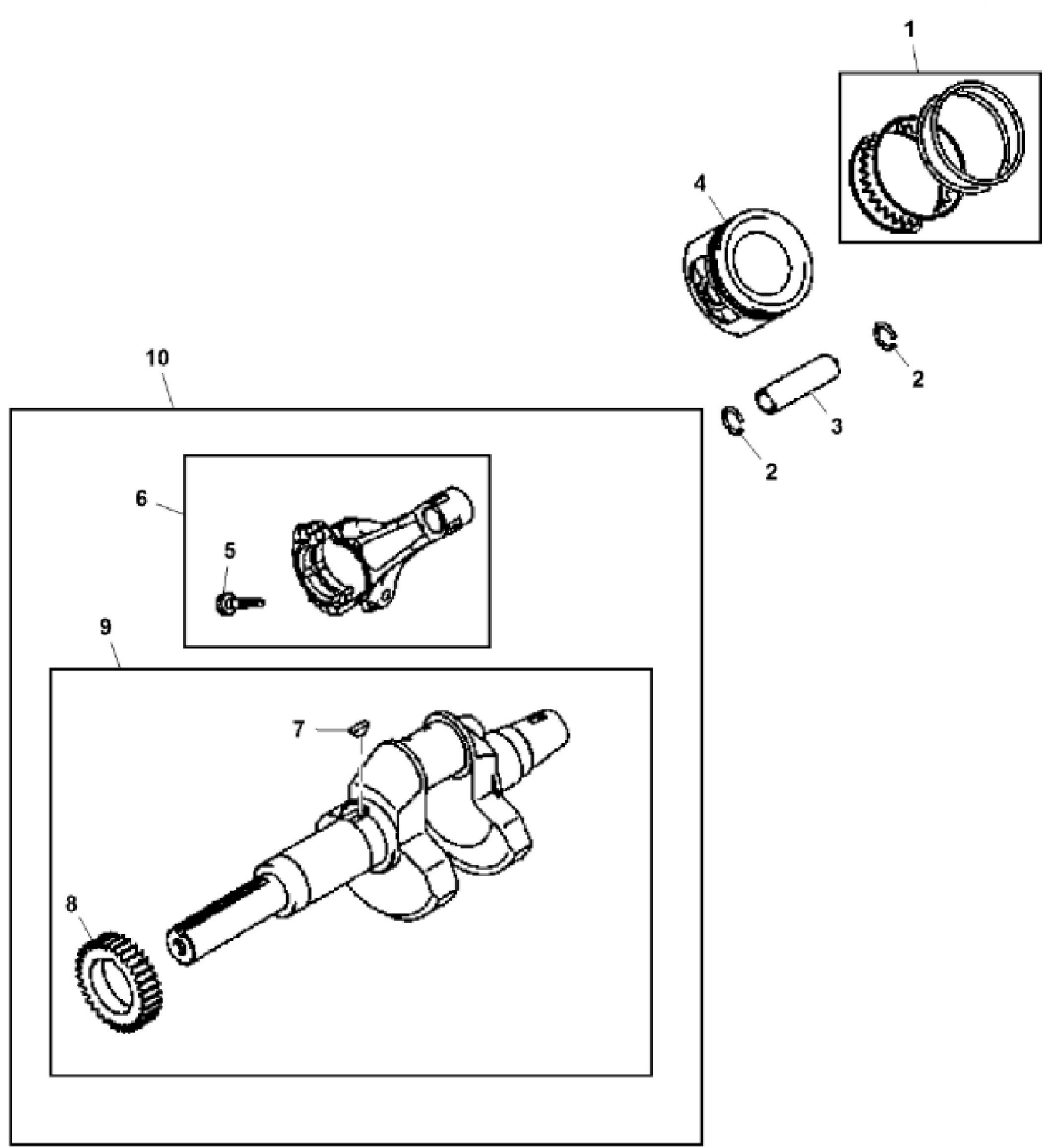
Thank you very much for reading.

Enter the link into your browser.

The full manual is available for immediate download.

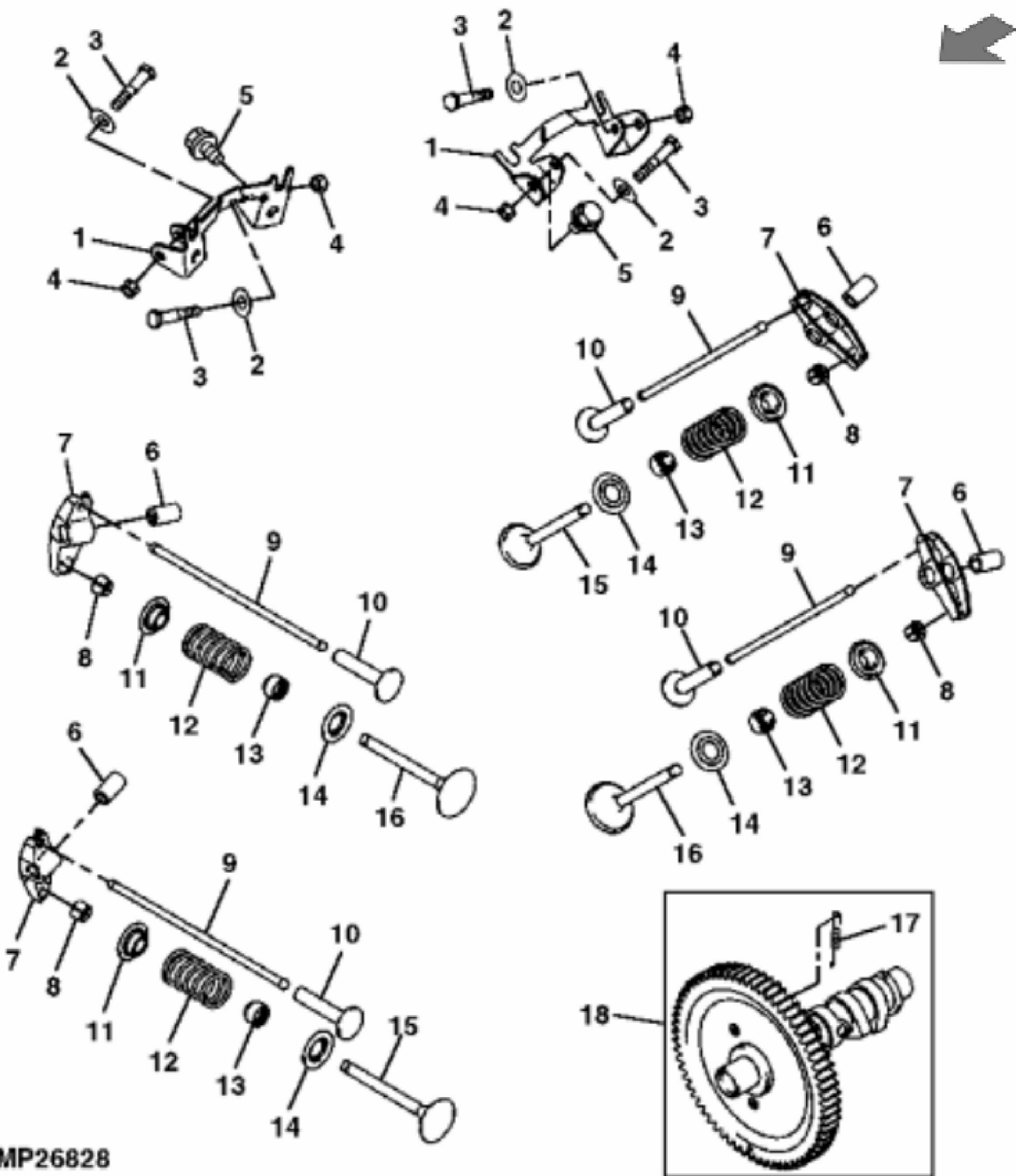
<https://www.ebooklibonline.com>

KEY	PART NO.	PART NAME	QTY	REMARKS
32	MIA11453	GASOLINE ENGINE	1	(Not Illustrated) MARKED FD750D-ES12; SUB MIA11838
32	MIA11838	GASOLINE ENGINE	1	(Not Illustrated) MARKED FD750D-FS12; SUB MIA11675
32	MIA11675	GASOLINE ENGINE	1	(Not Illustrated) NLA; ORDER MIA12032; MARKED FD750D-GS12; EPA3 / CARB3, 50 State
32	MIA12032	GASOLINE ENGINE	1	(Not Illustrated) NLA; ORDER MIA12550; MARKED FD750D-HS1
32	MIA12550	GASOLINE ENGINE	1	(Not Illustrated) NLA; ORDER MIA12563; MARKED FD750D-JS12
32	MIA12563	GASOLINE ENGINE	1	(Not Illustrated) MARKED FD750D-KS12
32	MIA12917	SHORT BLOCK ASSEMBLY	1	(Not Illustrated) SUB FOR MIA11876 OR MIA10554



John Deere > Turf And Utility >TRACTOR, LAWN AND GARDEN >X728 - TRACTOR, LAWN AND GARDEN >X728 Select Series Ultimate Tractor >20 ENGINE MIA12563 >ST539009 - CRANKSHAFT AND PISTON ASSEMBLY

KEY	PART NO.	PART NAME	QTY	REMARKS
1	AM102610	PISTON RING KIT	2	STD
1	AM102612	PISTON RING KIT	2	0.50 MM (.020") OS
2	M70220	RETAINER	4	
3	M70219	PISTON PIN	2	
4	MIU14328	PISTON	2	SUB FOR MIU14328; STD
4	M119174	PISTON	2	0.50 MM (.020") OS
5	M147310	BOLT	4	
6	AM132284	CONNECTING ROD	2	ORDER MIA11872
6	MIA11872	CONNECTING ROD	2	
7	M77843	SHAFT KEY	1	
8	M147309	SPUR GEAR	1	USE WITH MIA10555 AND MIA11873
8	MIU14329	SPUR GEAR	1	USE WITH MIA12869
9	MIA10555	CRANKSHAFT	1	ORDER MIA13072
9	MIA11873	CRANKSHAFT	1	ORDER MIA12869
9	MIA12869	CRANKSHAFT	1	
10	MIA11874	CRANKSHAFT	1	ORDER MIA13072; Assembly
10	MIA13072	CRANKSHAFT	1	



MP26828



Suggest:

For more complete manuals. Please go to the home page.

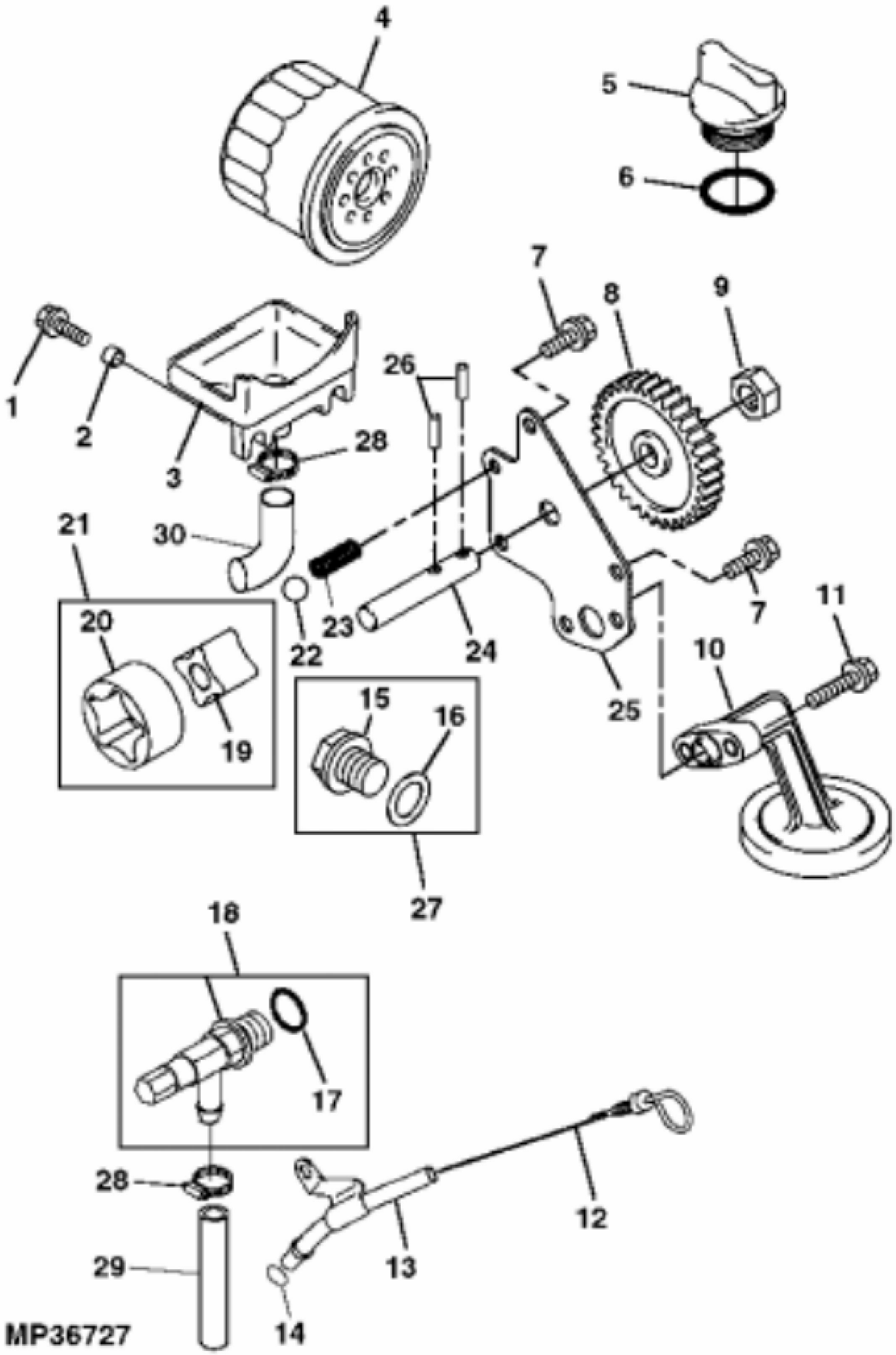
<https://www.ebooklibonline.com>

If the above button click is invalid. Please download this document first, and then click the above link to download the complete manual.

Thank you so much for reading

John Deere > Turf And Utility >TRACTOR, LAWN AND GARDEN >X728 - TRACTOR, LAWN AND GARDEN >X728 Select Series Ultimate Tractor >20 ENGINE MIA12563 >ST539010 - CAMSHAFT AND VALVES

KEY	PART NO.	PART NAME	QTY	REMARKS
1	M147311	BRACKET	2	
2	M147320	WASHER	4	
3	M147317	BOLT	4	
4	14M7272	NUT	4	M6
5	M147319	BOLT	4	
6	M147318	BUSHING	4	
7	MIU14434	ROCKER ARM	4	SUB FOR M147314
8	AM132412	RETAINER	4	
9	M147315	PUSH ROD	4	
10	M70213	TAPPET	4	
11	M72322	RETAINER	4	
12	M70206	SPRING	4	
13	M70034	SEAL	4	
14	M70033	SEAT	4	
15	M147313	EXHAUST VALVE	2	
16	M147312	INTAKE VALVE	2	
17	M147316	SPRING	1	
18	MIA12870	CAMSHAFT	1	SUB FOR AM132286



MP36727

<https://www.ebooklibonline.com>

Hello dear friend!

Thank you very much for reading.

Enter the link into your browser.

The full manual is available for immediate download.

<https://www.ebooklibonline.com>