

| KEY | PART NO. | PART NAME                   | QTY | REMARKS                                            |
|-----|----------|-----------------------------|-----|----------------------------------------------------|
| 1   | M147295  | VALVE COVER                 | 1   | RH                                                 |
| 2   | 19M7874  | CAP SCREW                   | 8   | M6 X 30                                            |
| 3   | MIU11493 | BOLT                        | 8   | SUB FOR M147306                                    |
| 4   | M147297  | GASKET                      | 2   |                                                    |
| 5   | MIU11492 | BOLT                        | 4   | SUB FOR M147305                                    |
| 6   | M68144   | STUD                        | 4   | NLA; ORDER MIU11949                                |
| 7   | AM132281 | CYLINDER HEAD               | 1   | NLA; ORDER MIU14324                                |
| 7   | MIU14324 | CYLINDER HEAD               | 1   | RH                                                 |
| 8   | M147293  | ENGINE CYLINDER HEAD GASKET | 2   |                                                    |
| 9   | MIU14325 | CYLINDER HEAD               | 1   | SUB FOR AM132282                                   |
| 10  | M147294  | VALVE COVER                 | 1   | LH                                                 |
| 11  | M77734   | CLAMP                       | 2   |                                                    |
| 12  | M147307  | TUBE                        | 1   |                                                    |
| 13  | 19M7868  | SCREW                       | 4   | M8 X 30                                            |
| 14  | M147299  | COVER                       | 1   |                                                    |
| 15  | M95848   | SCREW                       | 2   |                                                    |
| 16  | M147298  | PLATE                       | 2   |                                                    |
| 17  | M147300  | VALVE                       | 2   |                                                    |
| 18  | M147296  | GASKET                      | 1   |                                                    |
| 19  | M147302  | SEAL                        | 1   |                                                    |
| 20  | MIU12134 | BEARING                     | 1   | SUB FOR M147304                                    |
| 21  | M127431  | ADAPTER FITTING             | 1   | USE WITH AM132283                                  |
| 22  | MIA12868 | CRANKCASE                   | 1   | SUB FOR AM132283                                   |
| 23  | M70227   | PIN                         | 6   |                                                    |
| 24  | M76104   | O-RING                      | 3   |                                                    |
| 25  | MIU10833 | SEAL                        | 1   |                                                    |
| 26  | 19M8318  | SCREW                       | 6   | M8 X 45                                            |
| 27  | M139490  | BOLT                        | 4   |                                                    |
| 28  | MIA12867 | CRANKCASE                   | 1   | SUB FOR M147763                                    |
| 29  | M147303  | SEAL                        | 1   |                                                    |
| 30  | 24M7095  | WASHER                      | 12  | 8.400 X 15 X 1.600 mm                              |
| 31  | MIU14326 | BEARING                     | 1   | USE WITH MIA12867                                  |
| 32  | MIA10763 | GASOLINE ENGINE             | 1   | (Not Illustrated) MARKED FD750D-CS12; SUB MIA11196 |
| 32  | MIA11196 | GASOLINE ENGINE             | 1   | (Not Illustrated) MARKED FD750D-DS12; SUB MIA11453 |

**<https://www.ebooklibonline.com>**

Hello dear friend!

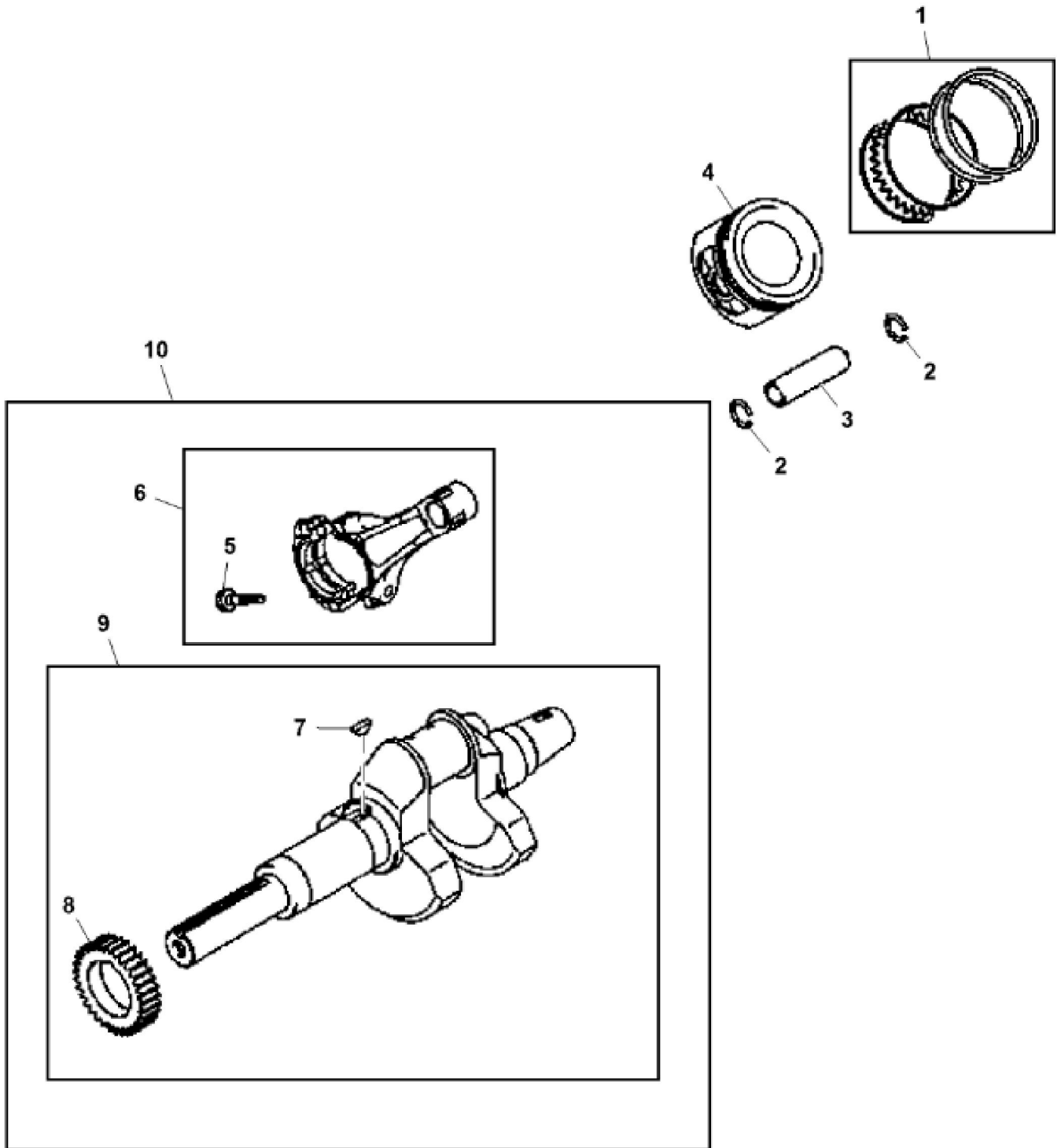
Thank you very much for reading.

Enter the link into your browser.

The full manual is available for immediate download.

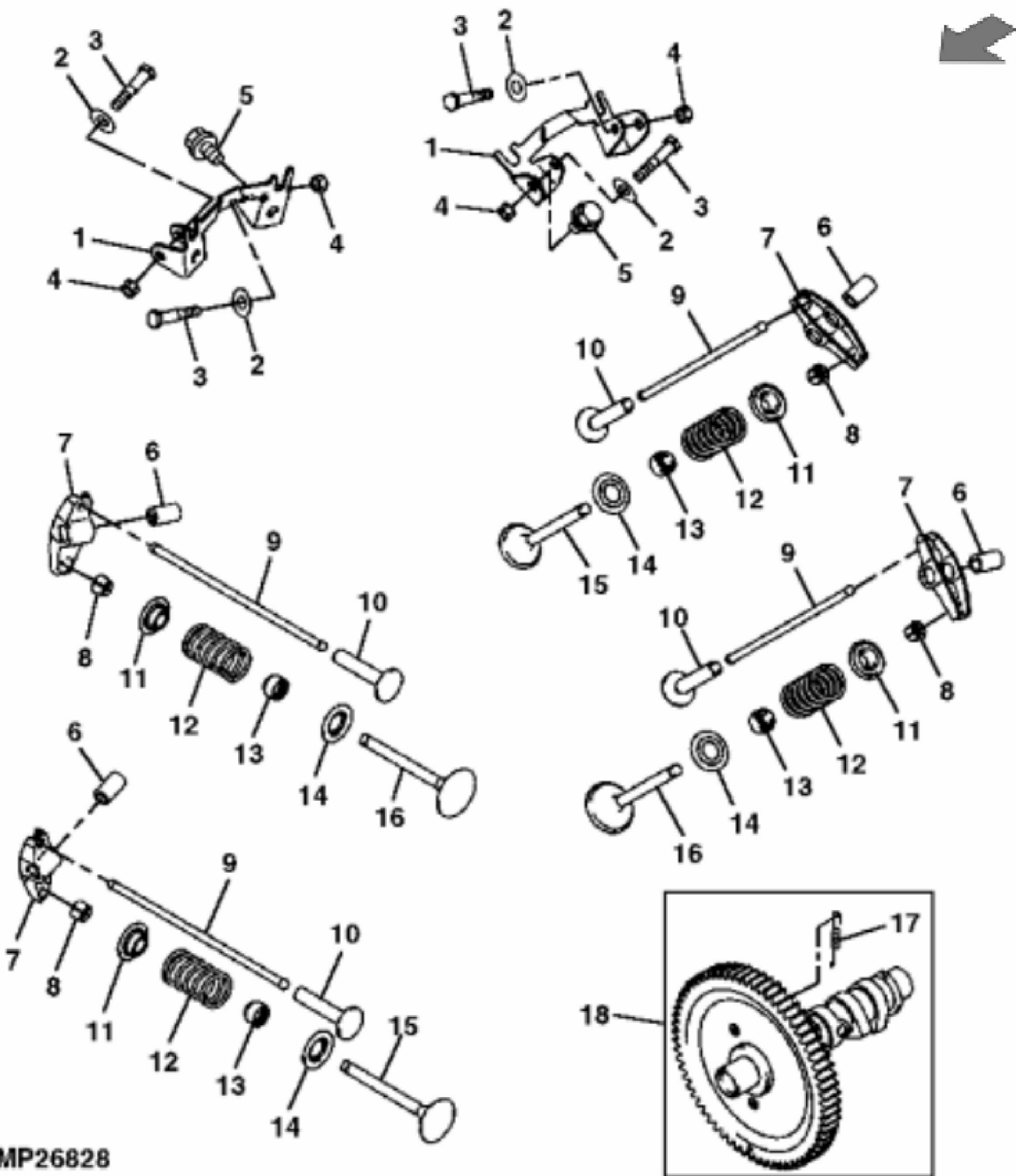
**<https://www.ebooklibonline.com>**

| KEY | PART NO. | PART NAME            | QTY | REMARKS                                                                         |
|-----|----------|----------------------|-----|---------------------------------------------------------------------------------|
| 32  | MIA11453 | GASOLINE ENGINE      | 1   | (Not Illustrated) MARKED FD750D-ES12; SUB MIA11838                              |
| 32  | MIA11838 | GASOLINE ENGINE      | 1   | (Not Illustrated) SUB MIA11675; MARKED FD750D-FS12                              |
| 32  | MIA11675 | GASOLINE ENGINE      | 1   | (Not Illustrated) NLA; ORDER MIA12032; MARKED FD750D-GS12; EPA3/CARB3, 50 State |
| 32  | MIA12032 | GASOLINE ENGINE      | 1   | (Not Illustrated) NLA; ORDER MIA12550; MARKED FD750D-HS12                       |
| 32  | MIA12550 | GASOLINE ENGINE      | 1   | (Not Illustrated) NLA; ORDER MIA12563; MARKED FD750D-JS12                       |
| 32  | MIA12563 | GASOLINE ENGINE      | 1   | (Not Illustrated) MARKED FD750D-KS12                                            |
| 32  | MIA12917 | SHORT BLOCK ASSEMBLY | 1   | (Not Illustrated) SUB FOR MIA11876 OR MIA10554                                  |



John Deere > Turf And Utility >TRACTOR, LAWN AND GARDEN >X724 - TRACTOR, LAWN AND GARDEN >X724 Select Series Ultimate Tractor >20 ENGINE MIA12563 >ST538754 - CRANKSHAFT AND PISTON ASSEMBLY

| KEY | PART NO. | PART NAME       | QTY | REMARKS                        |
|-----|----------|-----------------|-----|--------------------------------|
| 1   | AM102610 | PISTON RING KIT | 2   | STD                            |
| 1   | AM102612 | PISTON RING KIT | 2   | 0.50 MM (.020") OS             |
| 2   | M70220   | RETAINER        | 4   |                                |
| 3   | M70219   | PISTON PIN      | 2   |                                |
| 4   | MIU14328 | PISTON          | 2   | SUB FOR M119153; STD           |
| 4   | M119174  | PISTON          | 2   | 0.50 MM (.020") OS             |
| 5   | M147310  | BOLT            | 4   |                                |
| 6   | AM132284 | CONNECTING ROD  | 2   | ORDER MIA11872                 |
| 6   | MIA11872 | CONNECTING ROD  | 2   |                                |
| 7   | M77843   | SHAFT KEY       | 1   |                                |
| 8   | M147309  | SPUR GEAR       | 1   | USE WITH MIA10555 AND MIA11873 |
| 8   | MIU14329 | SPUR GEAR       | 1   | USE WITH MIA12869              |
| 9   | MIA10555 | CRANKSHAFT      | 1   | ORDER MIA13072                 |
| 9   | MIA11873 | CRANKSHAFT      | 1   | ORDER MIA12869                 |
| 9   | MIA12869 | CRANKSHAFT      | 1   |                                |
| 10  | MIA11874 | CRANKSHAFT      | 1   | ORDER MIA13072; Assembly       |
| 10  | MIA13072 | CRANKSHAFT      | 1   |                                |



MP26828



**Suggest:**

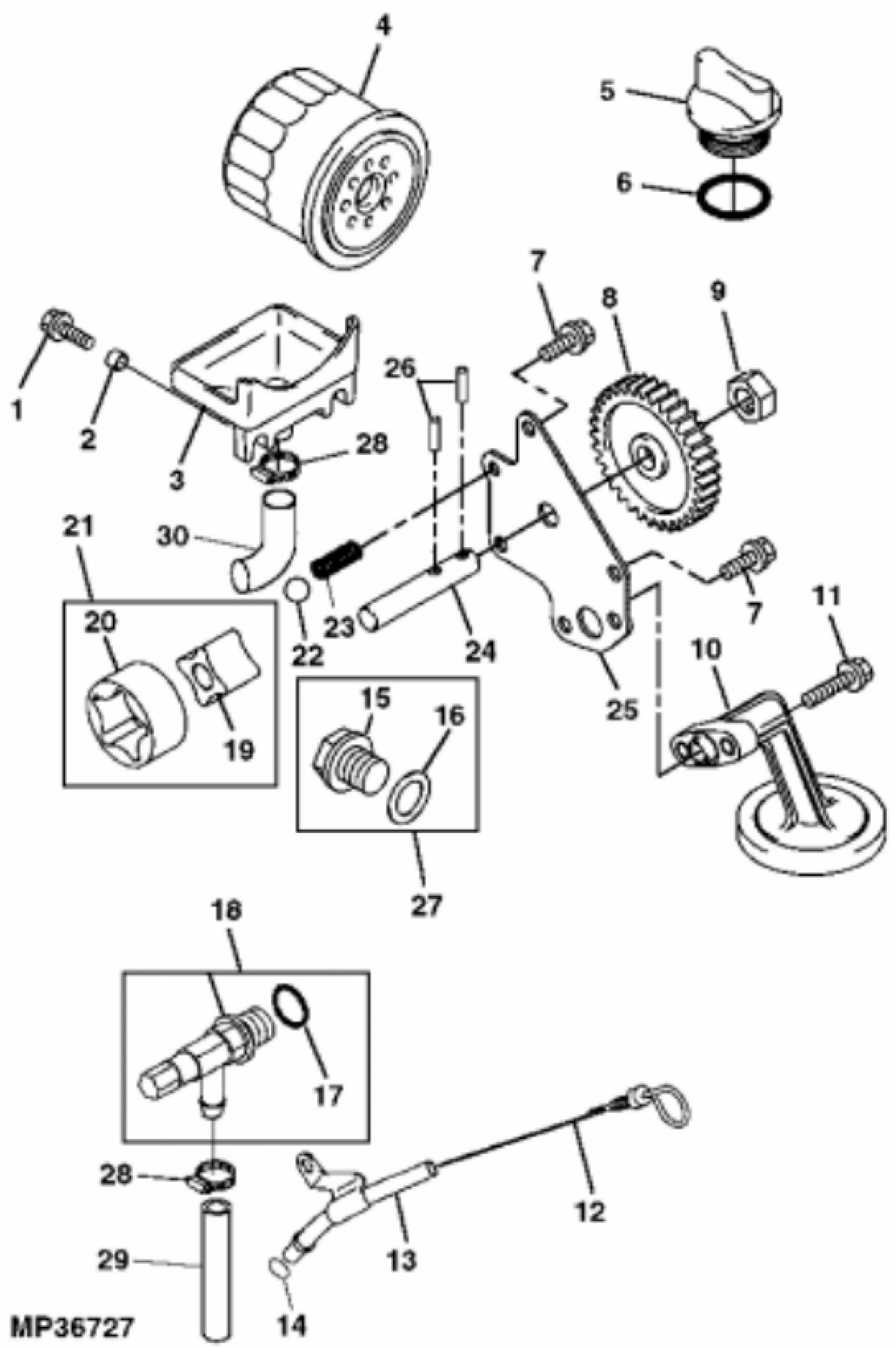
**For more complete manuals. Please go to the home page.**

**<https://www.ebooklibonline.com>**

**If the above button click is invalid. Please download this document first, and then click the above link to download the complete manual.**

**Thank you so much for reading**

| KEY | PART NO. | PART NAME     | QTY | REMARKS          |
|-----|----------|---------------|-----|------------------|
| 1   | M147311  | BRACKET       | 2   |                  |
| 2   | M147320  | WASHER        | 4   |                  |
| 3   | M147317  | BOLT          | 4   |                  |
| 4   | 14M7272  | NUT           | 4   | M6               |
| 5   | M147319  | BOLT          | 4   |                  |
| 6   | M147318  | BUSHING       | 4   |                  |
| 7   | MIU14434 | ROCKER ARM    | 4   | SUB FOR M147314  |
| 8   | AM132412 | RETAINER      | 4   |                  |
| 9   | M147315  | PUSH ROD      | 4   |                  |
| 10  | M70213   | TAPPET        | 4   |                  |
| 11  | M72322   | RETAINER      | 4   |                  |
| 12  | M70206   | SPRING        | 4   |                  |
| 13  | M70034   | SEAL          | 4   |                  |
| 14  | M70033   | SEAT          | 4   |                  |
| 15  | M147313  | EXHAUST VALVE | 2   |                  |
| 16  | M147312  | INTAKE VALVE  | 2   |                  |
| 17  | M147316  | SPRING        | 1   |                  |
| 18  | MIA12870 | CAMSHAFT      | 1   | SUB FOR AM132286 |



MP36727

**<https://www.ebooklibonline.com>**

Hello dear friend!

Thank you very much for reading.

Enter the link into your browser.

The full manual is available for immediate download.

**<https://www.ebooklibonline.com>**