

PU22040

KEY	PART NO.	PART NAME	QTY	REMARKS	
1	MIA13100	GASOLINE ENGINE	1	SUB FOR MIA12549	

**<https://www.ebooklibonline.com>**

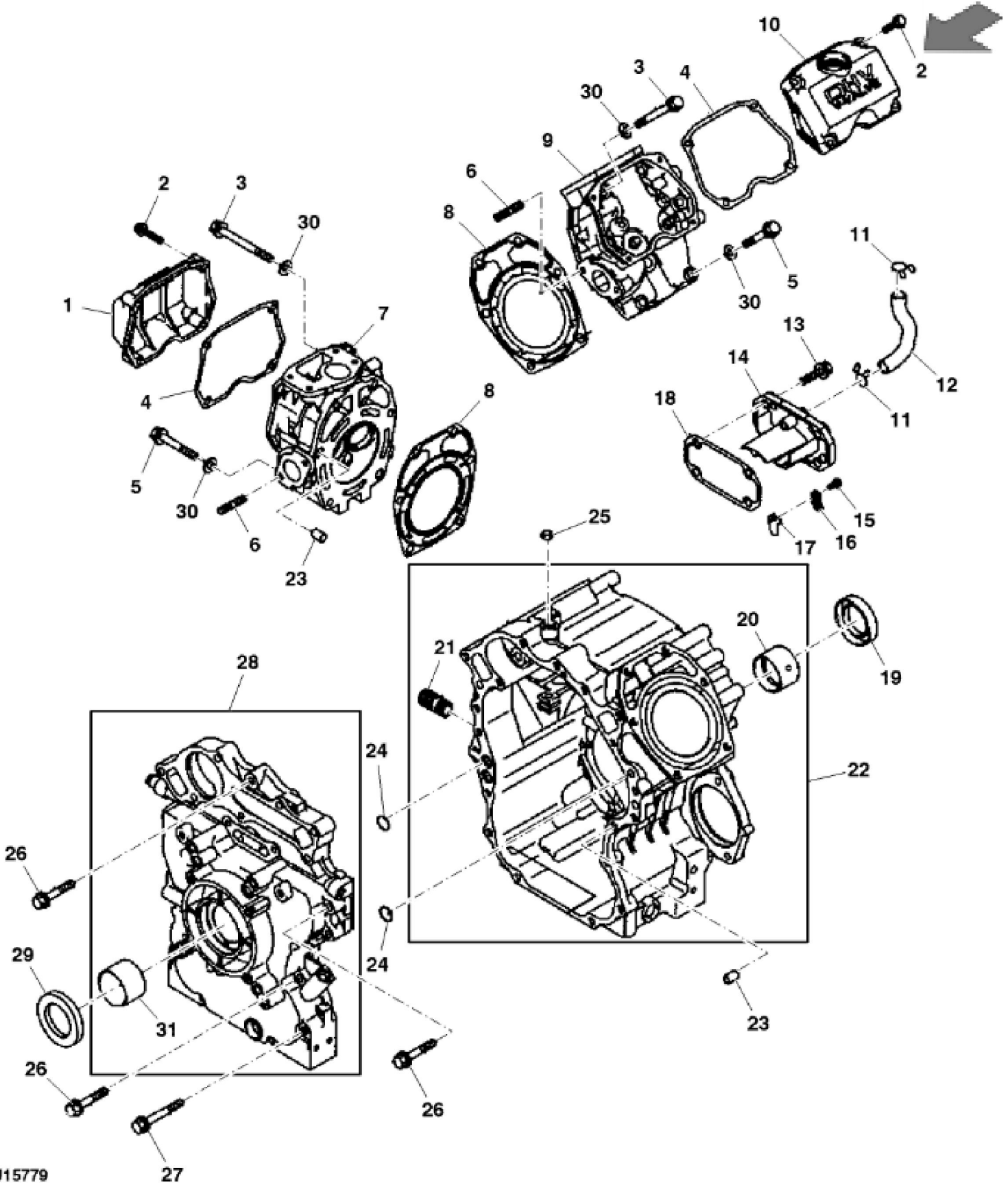
Hello dear friend!

Thank you very much for reading.

Enter the link into your browser.

The full manual is available for immediate download.

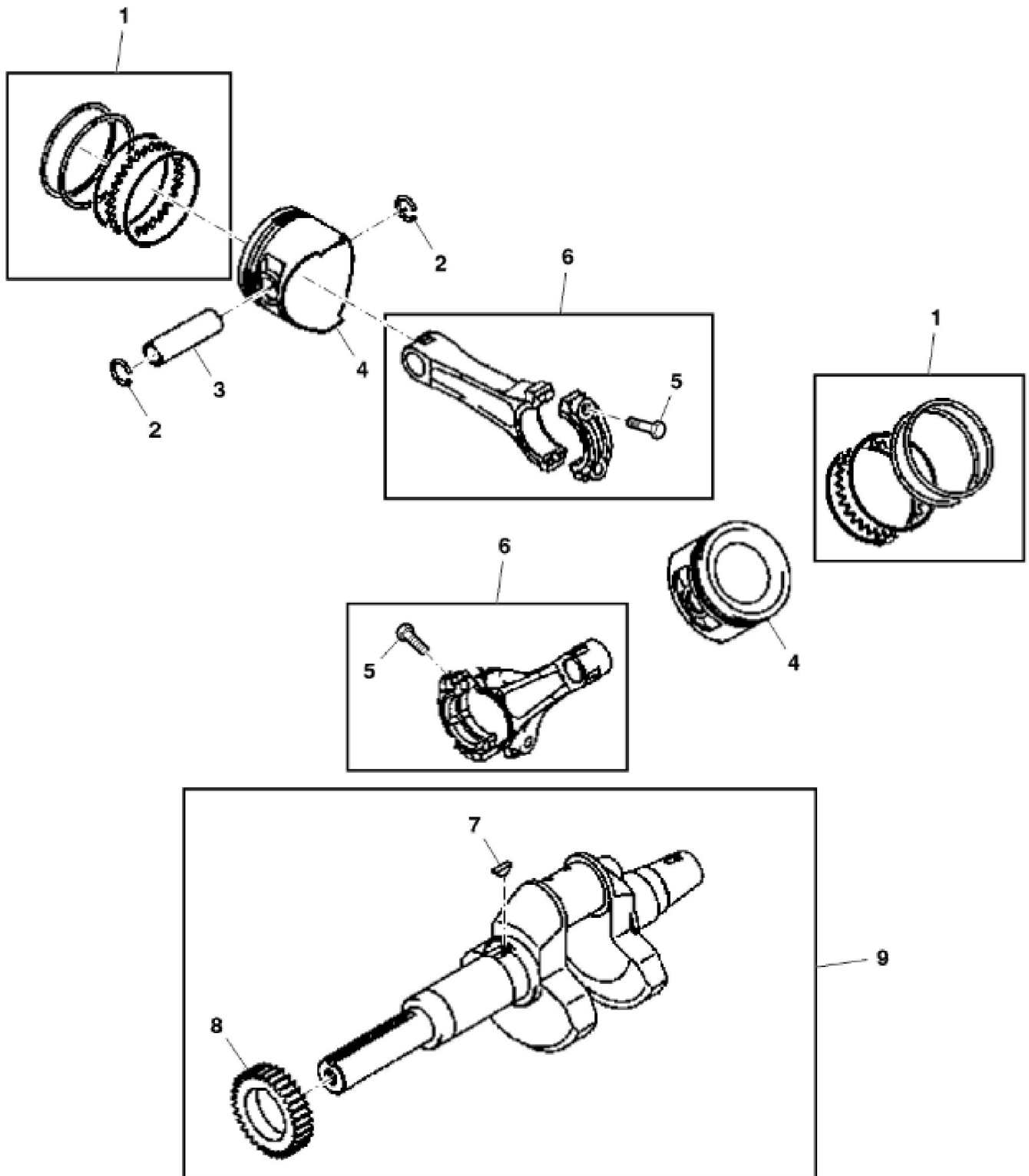
**<https://www.ebooklibonline.com>**



John Deere > Turf And Utility >TRACTOR, LAWN AND GARDEN >X710 - TRACTOR, LAWN AND GARDEN >X710 Signature Series Tractor >20 ENGINE MM16176 >ST745810 - CYLINDER HEAD AND CRANKCASE

KEY	PART NO.	PART NAME	QTY	REMARKS
1	M147295	VALVE COVER	1	RH
2	19M7796	SCREW	8	M6 X 30
3	MIU11493	BOLT	8	
4	M147297	GASKET	2	
5	MIU11492	BOLT	4	
6	M68144	STUD	4	ORDER MIU11949
6	MIU11949	STUD	4	
7	AM132281	CYLINDER HEAD	1	ORDER MIU14324
7	MIU14324	CYLINDER HEAD	1	RH
8	M147293	ENGINE CYLINDER HEAD GASKET	2	
9	MIU14325	CYLINDER HEAD	1	SUB FOR AM132282
10	M147294	VALVE COVER	1	LH
11	M77734	CLAMP	2	
12	M147307	TUBE	1	Breather
12	.....	TUBE	1	MARKED FD671D-PS02-R; Breather
13	19M7868	SCREW	4	M8 X 30
14	M147299	COVER	1	
15	M95848	SCREW	2	
16	M147298	PLATE	2	
17	M147300	VALVE	2	Breather
18	M147296	GASKET	1	
19	M147302	SEAL	2	
20	MIU12134	BEARING	3	
21	M127431	ADAPTER FITTING	3	USE WITH AM132283
21	MIU13767	ADAPTER FITTING	1	MARKED FD671D-PS02-R
22	MIA12868	CRANKCASE	1	SUB FOR AM132283
23	M70227	PIN	6	
24	M76104	O-RING	3	
25	MIU10833	SEAL	1	
26	19M8318	SCREW	6	M8 X 45
27	M139490	BOLT	4	USE WITH MIA12549
27	MIU11385	BOLT	4	USE WITH MIA13100
28	MIA12867	CRANKCASE	1	SUB FOR M147763
29	M147303	SEAL	2	

KEY	PART NO.	PART NAME	QTY	REMARKS	
30	24M7095	WASHER	12	8.400 X 15 X 1.600 mm, Head Bolt	
31	MIU14326	BEARING	1	USE WITH MIA12867	
..	MIA13100	GASOLINE ENGINE	1	MARKED FD671D-PS02-R; SUB FOR MIA12549	
..	MIA12916	SHORT BLOCK ASSEMBLY	1	SUB FOR MIA11875	





**Suggest:**

**For more complete manuals. Please go to the home page.**

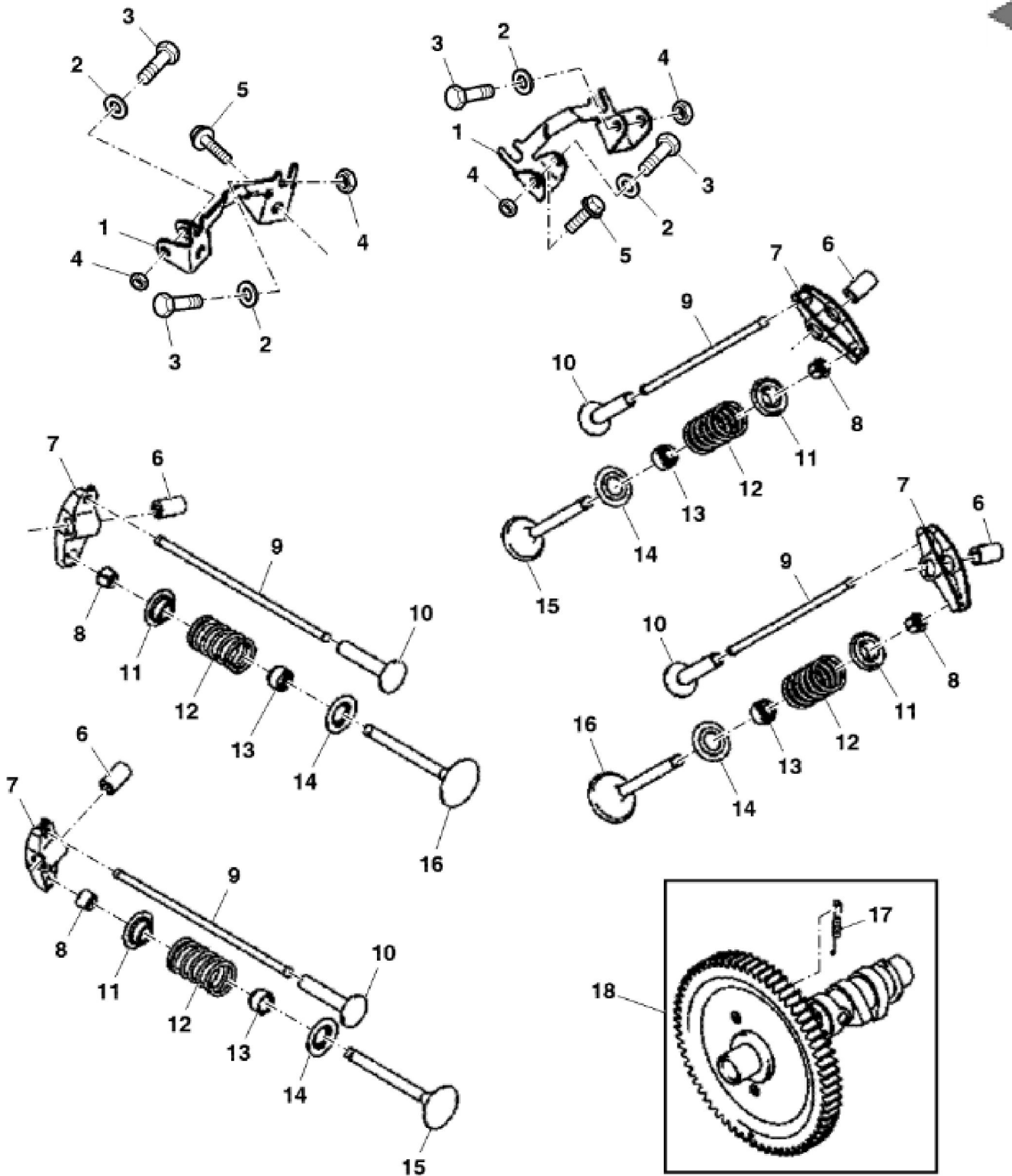
**<https://www.ebooklibonline.com>**

**If the above button click is invalid. Please download this document first, and then click the above link to download the complete manual.**

**Thank you so much for reading**

John Deere > Turf And Utility >TRACTOR, LAWN AND GARDEN >X710 - TRACTOR, LAWN AND GARDEN >X710 Signature Series Tractor >20 ENGINE MM16176 >ST745824 - CRANKSHAFT AND PISTON ASSEMBLY

KEY	PART NO.	PART NAME	QTY	REMARKS
1	AM102610	PISTON RING KIT	3	STD
1	AM102612	PISTON RING KIT	AR	0.50 mm (0.020"), OS
2	M70220	SNAP RING	4	
3	M70219	PISTON PIN	2	
4	M147308	PISTON	2	ORDER MIU14204
4	MIU14204	PISTON	2	
4	MIU11013	PISTON	AR	0.50 mm, OS
5	M147310	BOLT	12	
6	MIA11872	CONNECTING ROD	2	
7	M77843	SHAFT KEY	1	
8	M147309	SPUR GEAR	3	USE WITH MIA10555 AND MIA11873
8	MIU14329	SPUR GEAR	3	
9	MIA10555	CRANKSHAFT	1	ORDER MIA13072
9	MIA11873	CRANKSHAFT	1	ORDER MIA12869
9	MIA12869	CRANKSHAFT	1	



**<https://www.ebooklibonline.com>**

Hello dear friend!

Thank you very much for reading.

Enter the link into your browser.

The full manual is available for immediate download.

**<https://www.ebooklibonline.com>**