

John Deere > Turf And Utility >TRACTOR, LAWN AND GARDEN >X700 - TRACTOR, LAWN AND GARDEN >X700 Select Series Ultimate Tractor >20 ENGINE MIA12549 >ST539133 - CYLINDER HEAD AND CRANKCASE

KEY	PART NO.	PART NAME	QTY	REMARKS
1	M147295	VALVE COVER	1	RH
2	19M7796	SCREW	8	M6 X 30
3	MIU11493	BOLT	8	SUB FOR M147306
4	M147297	GASKET	2	
5	MIU11492	BOLT	4	SUB FOR M147305
6	M68144	STUD	4	NLA; MARKED FD671D-DS02, ES02; ORDER MIU11949
6	MIU11949	STUD	4	MARKED FD671D-FS02, GS02; USE WITH MIA11674 or MIA12031
7	AM132281	CYLINDER HEAD	1	NLA; ORDER MIU14324
7	MIU14324	CYLINDER HEAD	1	RH
8	M147293	ENGINE CYLINDER HEAD GASKET	2	
9	MIU14325	CYLINDER HEAD	1	SUB FOR AM132282
10	M147294	VALVE COVER	1	LH
11	M77734	CLAMP	2	
12	M147307	TUBE	1	
13	19M7868	SCREW	4	M8 X 30
14	M147299	COVER	1	
15	M95848	SCREW	2	
16	M147298	PLATE	2	
17	M147300	VALVE	2	Breather
18	M147296	GASKET	1	
19	M147302	SEAL	1	
20	MIU12134	BEARING	1	SUB FOR M147304
21	M127431	ADAPTER FITTING	1	USE WITH AM132283
22	MIA12868	CRANKCASE	1	SUB FOR AM132283
23	M70227	PIN	6	
24	M76104	O-RING	3	
25	MIU10833	SEAL	1	
26	19M8318	SCREW	6	M8 X 45
27	M139490	BOLT	4	MARKED FD671D-DS02, ES02
27	MIU11385	BOLT	4	USE WITH MIA11674 orMIA12031; MARKED FD671D-FS02, GS02
28	MIA12867	CRANKCASE	1	SUB FOR M147763
29	M147303	SEAL	1	

<https://www.ebooklibonline.com>

Hello dear friend!

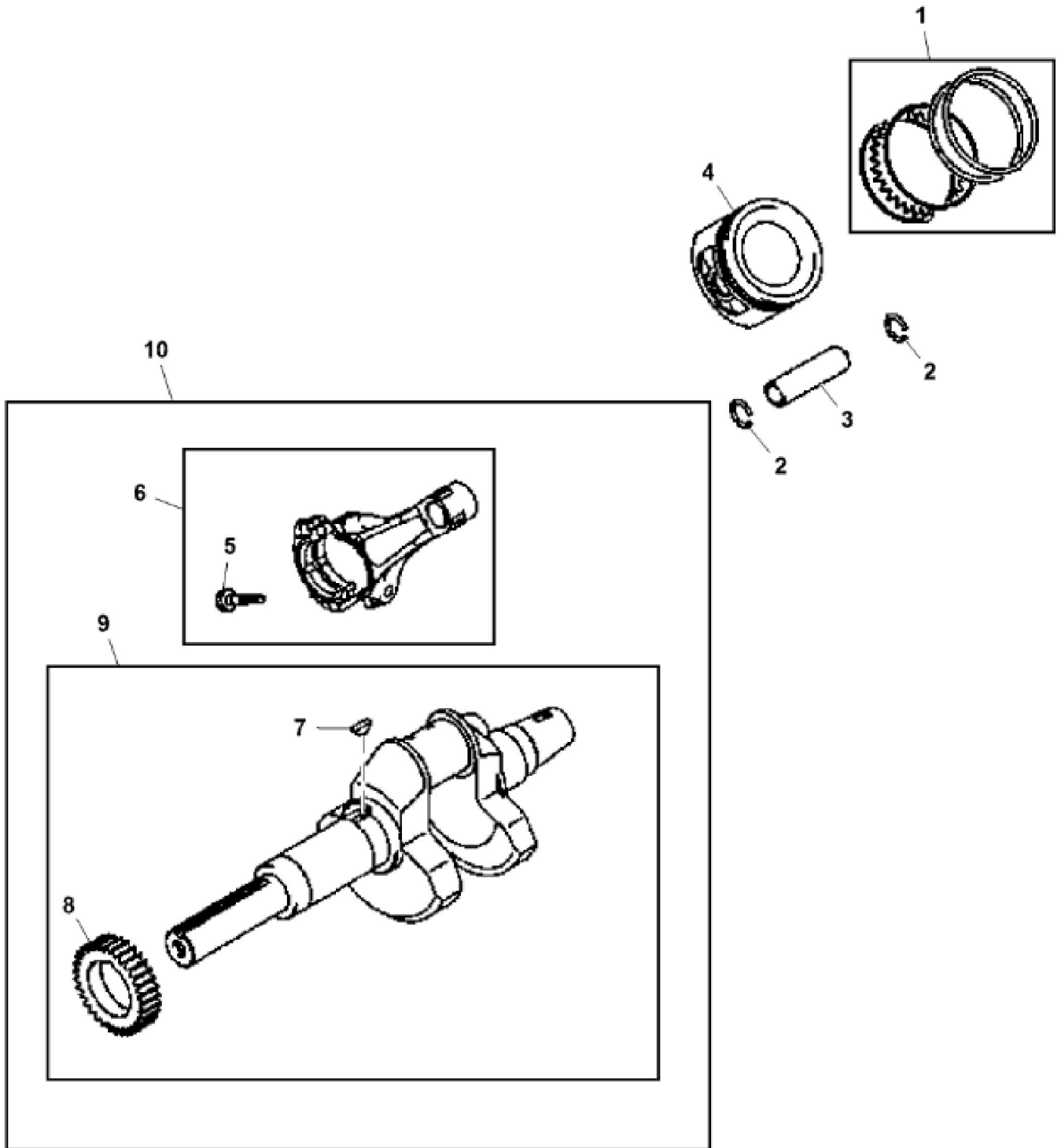
Thank you very much for reading.

Enter the link into your browser.

The full manual is available for immediate download.

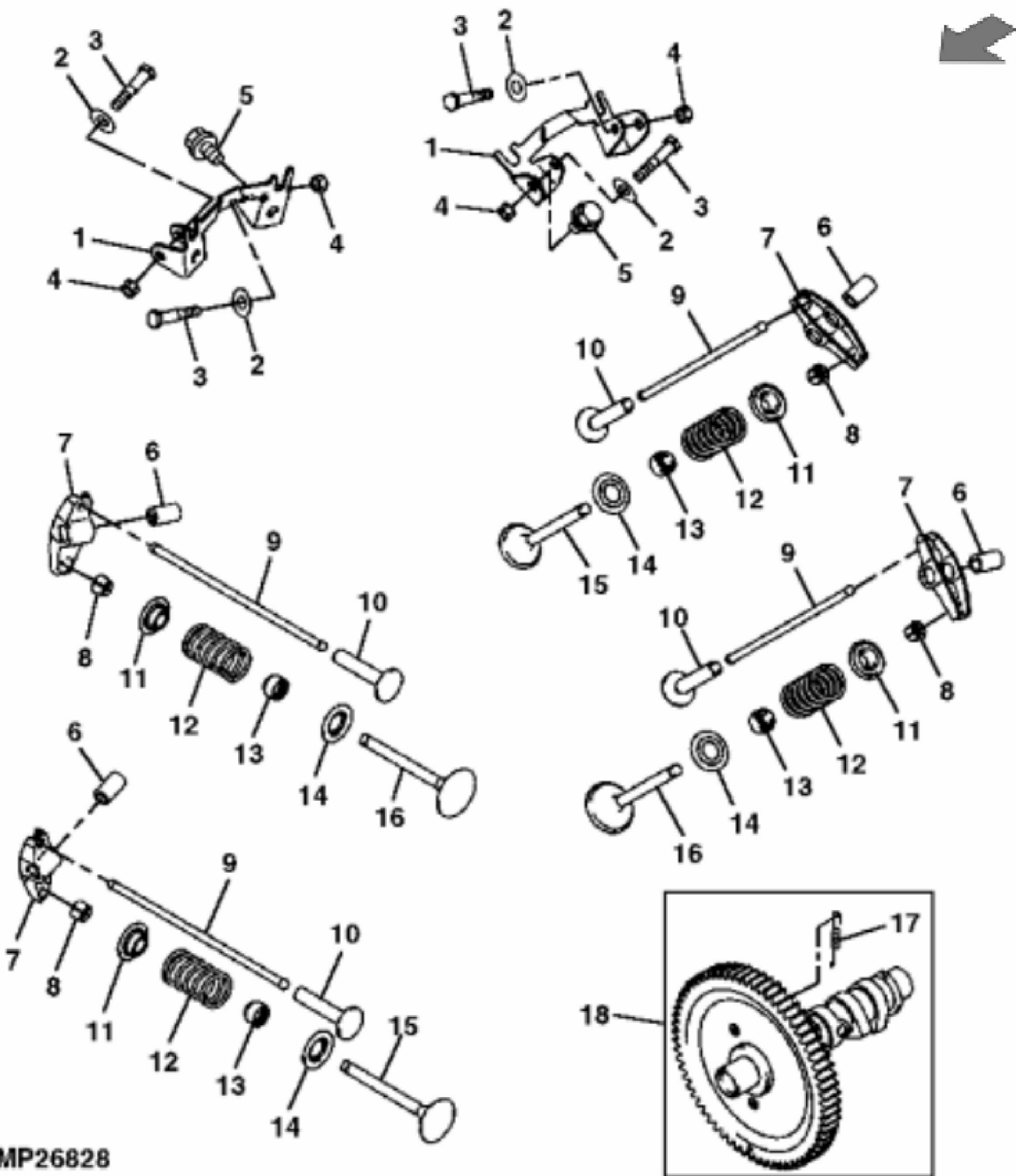
<https://www.ebooklibonline.com>

KEY	PART NO.	PART NAME	QTY	REMARKS
30	24M7095	WASHER	12	8.400 X 15 X 1.600 mm, Head Bolt
31	MIU14326	BEARING	1	USE WITH MIA12867
32	MIA10766	GASOLINE ENGINE	1	(Not Illustrated) SUB AM132305; MARKED FD671D-DS02
32	MIA11056	GASOLINE ENGINE	1	(Not Illustrated) SUB AM132305; MARKED FD671D-ES02
32	MIA11195	GASOLINE ENGINE	1	(Not Illustrated) SUB MIA11837; MARKED FD671D-FS02
32	MIA11837	GASOLINE ENGINE	1	(Not Illustrated) SUB MIA11674; MARKED FD671D-GS02
32	MIA11674	GASOLINE ENGINE	1	(Not Illustrated) NLA; ORDER MIA12031; MARKED FD671D-EPA/3 CARB3, 50 State
32	MIA12031	GASOLINE ENGINE	1	(Not Illustrated) ORDER MIA12549; MARKED FD671D-JS02
32	MIA13100	GASOLINE ENGINE	1	MARKED FD671D-PS02-R; SUB FOR MIA12549
32	MIA12916	SHORT BLOCK ASSEMBLY	1	(Not Illustrated) SUB FOR MIA11875 OR AM132305
33	M73989	BOLT	1	(Not Illustrated) NLA; ORDER MIU12006;
33	MIU12006	BOLT	1	(Not Illustrated)



John Deere > Turf And Utility >TRACTOR, LAWN AND GARDEN >X700 - TRACTOR, LAWN AND GARDEN >X700 Select Series Ultimate Tractor >20 ENGINE MIA12549 >ST539134 - CRANKSHAFT AND PISTON ASSEMBLY

KEY	PART NO.	PART NAME	QTY	REMARKS
1	AM102610	PISTON RING KIT	2	STD
1	AM102612	PISTON RING KIT	AR	0.50 MM (0.020"), OS
2	M70220	WIRE	4	
3	M70219	PISTON PIN	2	
4	M147308	PISTON	2	NLA; ORDER MIU14204
4	MIU14204	PISTON	2	STD
4	MIU11013	PISTON	AR	0.50 MM (0.020"), OS
5	M147310	BOLT	4	
6	AM132284	CONNECTING ROD	2	ORDER MIA11872
6	MIA11872	CONNECTING ROD	2	
7	M77843	SHAFT KEY	1	
8	M147309	SPUR GEAR	1	USE WITH MIA10555 AND MIA11873
8	MIU14329	SPUR GEAR	1	USE WITH MIA12869
9	MIA10555	CRANKSHAFT	1	ORDER MIA13072
9	MIA11873	CRANKSHAFT	1	ORDER MIA12869
9	MIA12869	CRANKSHAFT	1	
10	MIA11874	CRANKSHAFT	1	ORDER MIA13072; Assembly
10	MIA13072	CRANKSHAFT	1	



MP26828



Suggest:

For more complete manuals. Please go to the home page.

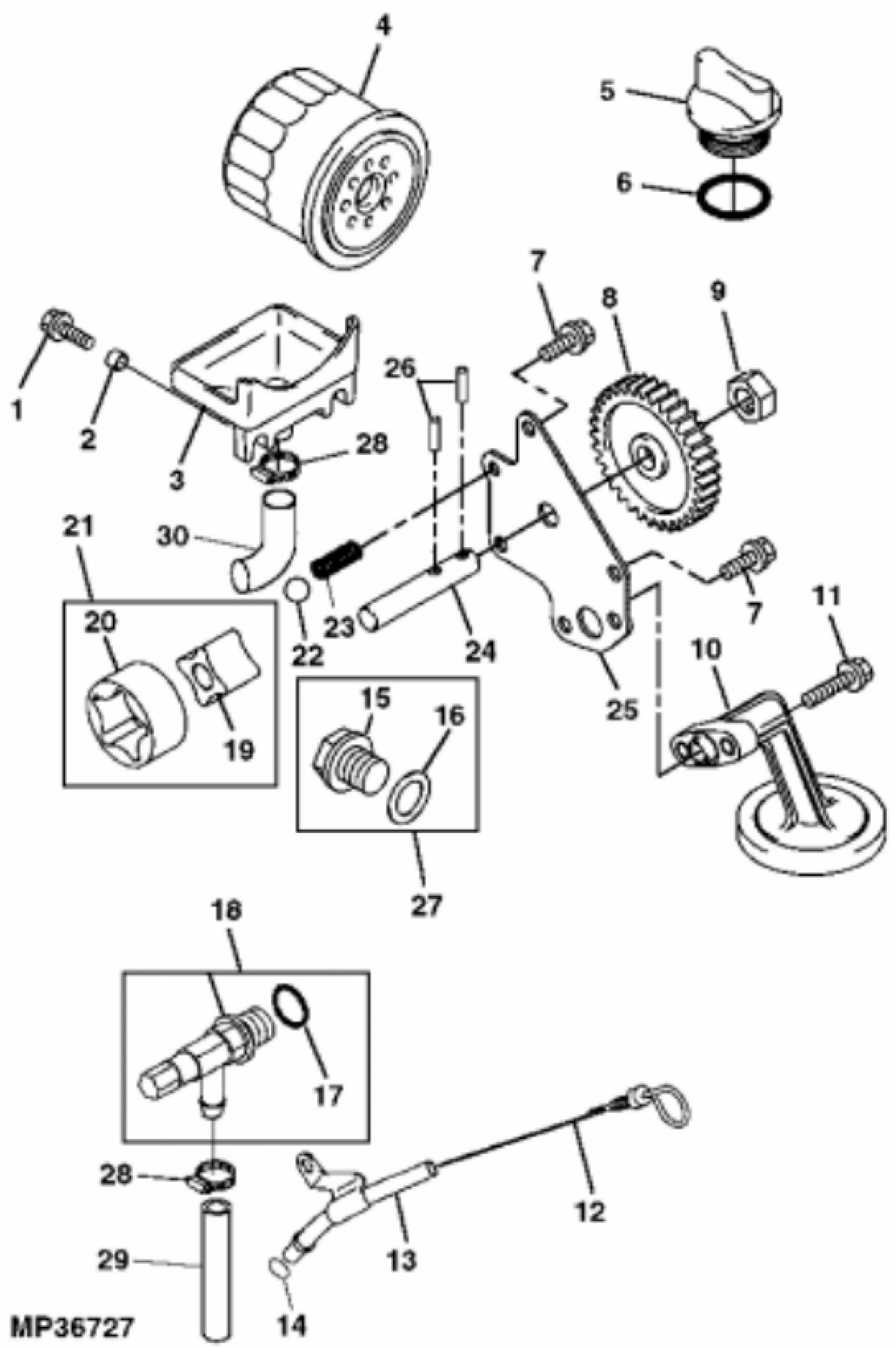
<https://www.ebooklibonline.com>

If the above button click is invalid. Please download this document first, and then click the above link to download the complete manual.

Thank you so much for reading

John Deere > Turf And Utility >TRACTOR, LAWN AND GARDEN >X700 - TRACTOR, LAWN AND GARDEN >X700 Select Series Ultimate Tractor >20 ENGINE MIA12549 >ST539135 - CAMSHAFT AND VALVES

KEY	PART NO.	PART NAME	QTY	REMARKS
1	M147311	BRACKET	2	
2	M147320	WASHER	4	
3	M147317	BOLT	4	
4	14M7272	NUT	4	M6
5	M147319	BOLT	4	
6	M147318	BUSHING	4	
7	MIU14434	ROCKER ARM	4	SUB FOR M147314
8	AM132412	RETAINER	4	(INCLUDES TWO HALVES)
9	M147315	PUSH ROD	4	
10	M70213	TAPPET	4	
11	M72322	RETAINER	4	
12	M70206	SPRING	4	
13	M70034	SEAL	4	
14	M70033	SEAT	4	
15	M147313	EXHAUST VALVE	2	
16	M147312	INTAKE VALVE	2	
17	M147316	SPRING	1	
18	MIA12870	CAMSHAFT	1	SUB FOR AM132286



MP36727

<https://www.ebooklibonline.com>

Hello dear friend!

Thank you very much for reading.

Enter the link into your browser.

The full manual is available for immediate download.

<https://www.ebooklibonline.com>