

PU21710

| KEY | PART NO. | PART NAME | QTY | Serial No. | REMARKS |
|-----|----------|-----------------|-----|-------------|------------------------------------|
| 1 | MIA12548 | GASOLINE ENGINE | 1 | | MARKED FS730V-AS40; ORDER MIA13139 |
| 1 | MIA13139 | GASOLINE ENGINE | 1 | ____-120000 | MARKED FS730V-BS40R |
| 1 | AUC10291 | GASOLINE ENGINE | 1 | 120001-____ | MARKED FS730V-CS40 |
| 2 | M136651 | GASKET | 2 | | |
| 3 | GX24210 | SCREW | 4 | | |
| 4 | 19M7865 | SCREW | 1 | | M8 X 16 |
| 5 | 14M7298 | FLANGE NUT | 1 | | M8 |

<https://www.ebooklibonline.com>

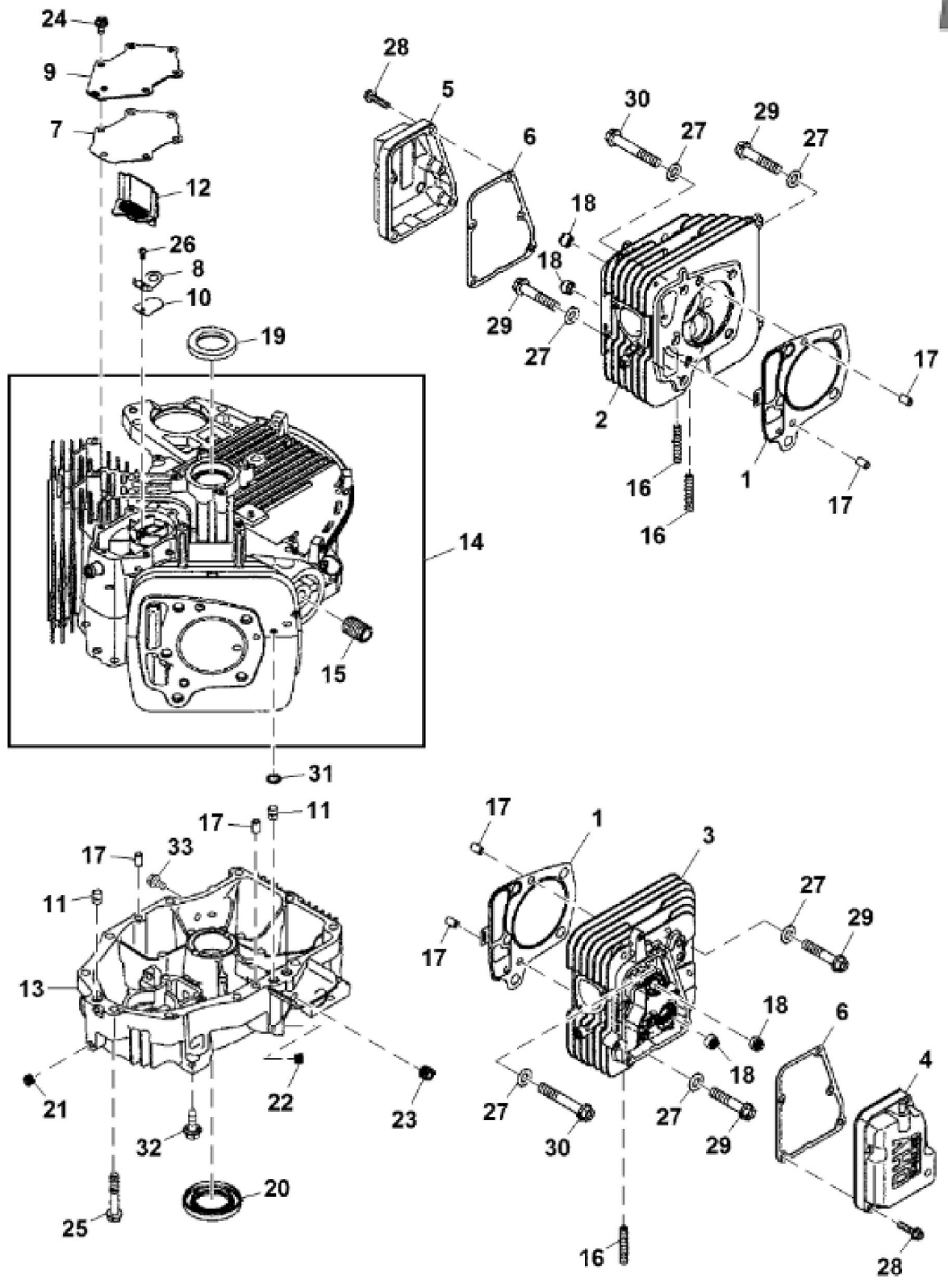
Hello dear friend!

Thank you very much for reading.

Enter the link into your browser.

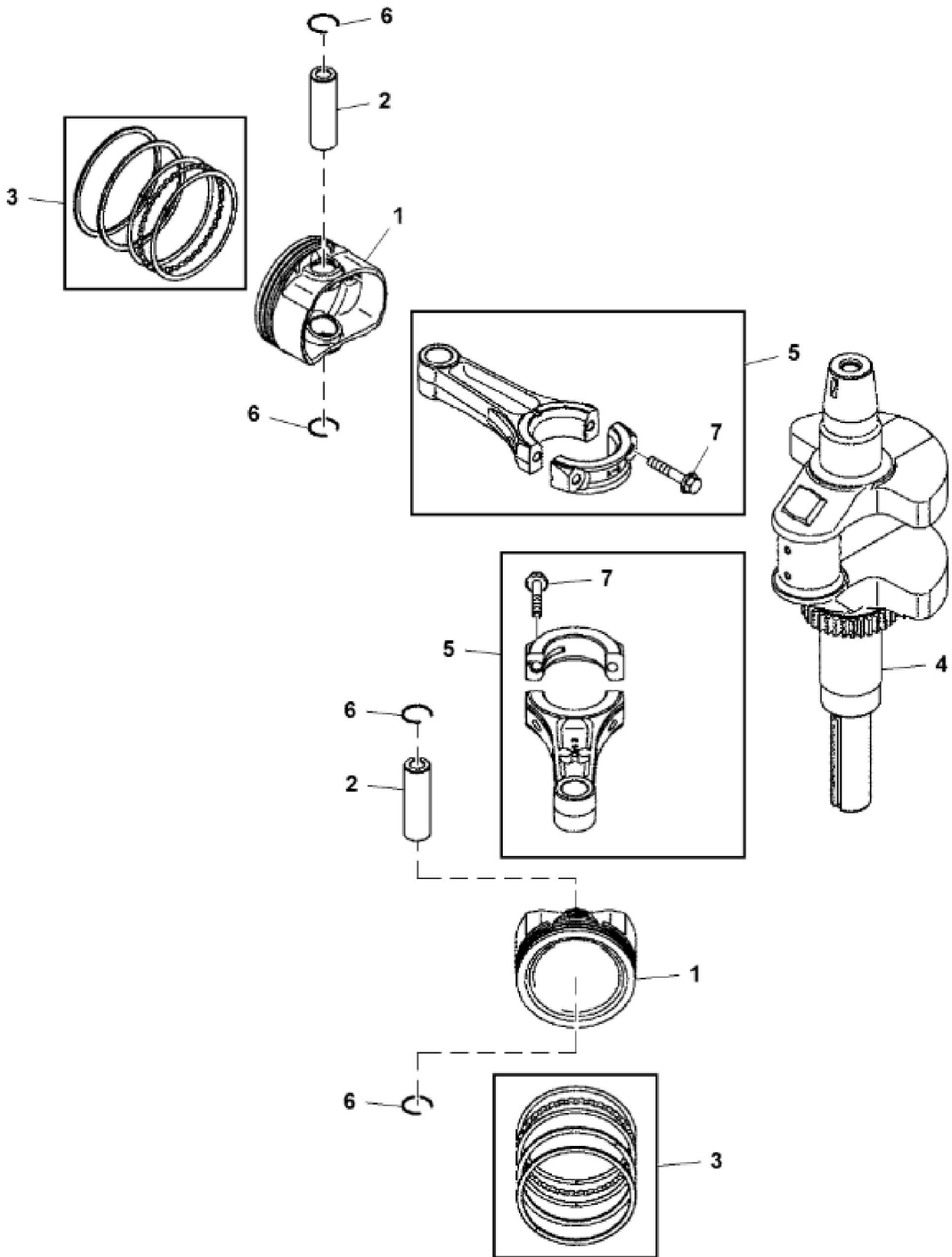
The full manual is available for immediate download.

<https://www.ebooklibonline.com>



CYLINDER AND CRANKCASE

| KEY | PART NO. | PART NAME | QTY | REMARKS |
|-----|----------|-----------------------------|-----|------------------------|
| 1 | MIU12396 | ENGINE CYLINDER HEAD GASKET | 2 | |
| 2 | MIA13057 | CYLINDER HEAD | 1 | Cylinder 1 |
| 3 | MIU12391 | CYLINDER HEAD | 1 | Cylinder 2 |
| 4 | MIU14403 | CASE | 1 | Rocker 2 |
| 5 | MIU13778 | CASE | 1 | Rocker 1 |
| 6 | MIU12394 | GASKET | 2 | Case Rocker |
| 7 | MIU12395 | GASKET | 1 | Breather |
| 8 | MIU13821 | PLATE | 1 | |
| 9 | MIU12397 | COVER | 1 | Breather |
| 10 | MIU11769 | VALVE | 1 | |
| 11 | MIU14507 | PIPE | 3 | SUB FOR MIU11770 |
| 12 | MIU12398 | PIPE | 1 | Breather |
| 13 | MIA13064 | COVER | 1 | Crankcase |
| 14 | MIA13065 | CRANKCASE | 1 | |
| 15 | MIU13767 | ADAPTER FITTING | 1 | |
| 16 | MIU12726 | STUD | 4 | |
| 17 | M74252 | PIN | 6 | |
| 18 | M138389 | SEAL | 4 | |
| 19 | M149281 | SEAL | 1 | |
| 20 | MIU12400 | SEAL | 1 | |
| 21 | MIU12401 | PLUG | 1 | |
| 22 | MIU14001 | PLUG | 1 | |
| 23 | M123645 | DRAIN PLUG | 1 | |
| 24 | MIU11325 | BOLT | 6 | |
| 25 | 19M8319 | SCREW | 10 | M8 X 50 |
| 26 | 21M7244 | SCREW | 1 | M4 X 8 |
| 27 | 24M7096 | WASHER | 10 | 10.500 X 18 X 1.600 mm |
| 28 | 19M7863 | SCREW | 10 | M6 X 25 |
| 29 | MIU11776 | BOLT | 4 | |
| 30 | MIU12209 | BOLT | 6 | |
| 31 | M76104 | O-RING | 2 | |
| 32 | GX24210 | SCREW | 4 | |
| 33 | 19M7865 | SCREW | 1 | M8 X 16 |
| 34 | MIA13058 | GASKET KIT | 1 | (Not Illustrated) |





Suggest:

For more complete manuals. Please go to the home page.

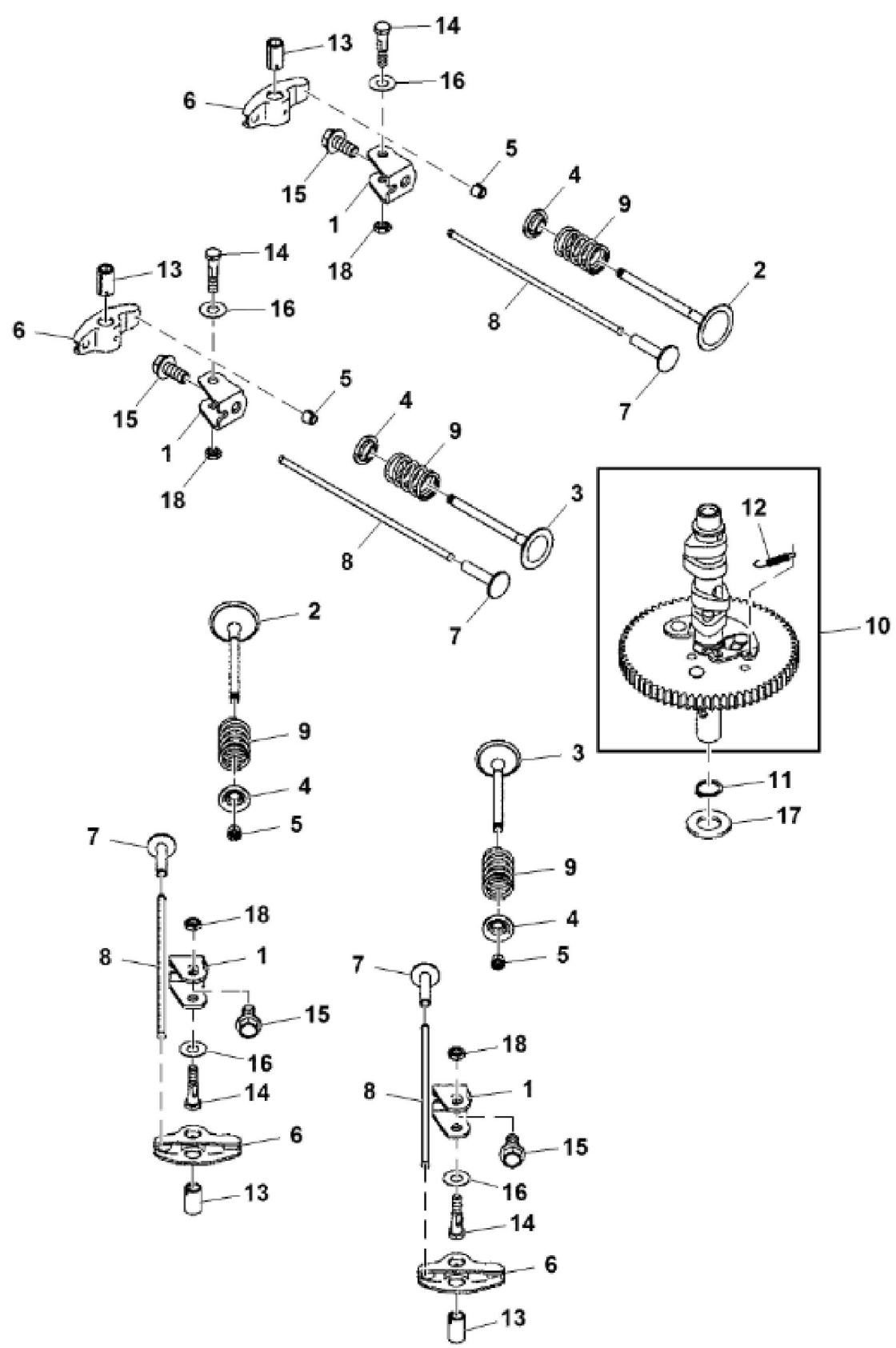
<https://www.ebooklibonline.com>

If the above button click is invalid. Please download this document first, and then click the above link to download the complete manual.

Thank you so much for reading

CRANKSHAFT ASSEMBLY

| KEY | PART NO. | PART NAME | QTY | REMARKS | |
|-----|----------|----------------|-----|---------|--|
| 1 | MIU12403 | PISTON | 2 | | |
| 1 | MIU12407 | PISTON RING | 2 | L = 0.5 | |
| 2 | MIU13270 | PISTON PIN | 2 | | |
| 3 | MIU12405 | PISTON RING | 2 | | |
| 3 | MIU12406 | PISTON RING | 2 | L = 0.5 | |
| 4 | MIA13059 | CRANKSHAFT | 1 | | |
| 5 | MIA11615 | CONNECTING ROD | 2 | | |
| 6 | MIU12408 | SNAP RING | 4 | | |
| 7 | M146763 | BOLT | 4 | | |



PU14345

<https://www.ebooklibonline.com>

Hello dear friend!

Thank you very much for reading.

Enter the link into your browser.

The full manual is available for immediate download.

<https://www.ebooklibonline.com>