

PU20816

John Deere > Turf And Utility >TRACTOR, LAWN AND GARDEN >X584 - TRACTOR, LAWN AND GARDEN >X584 Lawn and Garden Tractor >20 ENGINE MM18195, MM18199 >ST842432 - ENGINE AND THROTTLE ASSEMBLY

KEY	PART NO.	PART NAME	QTY	REMARKS
1	H77698	TIE BAND	1	
2	GX24210	SCREW	4	9.525 X 29.580 mm (3/8" X 1.165")
3	MIA12530	GASOLINE ENGINE	1	MARKED FS730V-DS07R; Kawasaki
4	M162896	GUARD	1	Fuel Line
5	14M7298	FLANGE NUT	1	M8
6	19M7865	SCREW	3	M8 X 16
7	M155077	CLAMP	1	
8	AM140333	ACCELERATOR	1	Throttle Assembly
9	AM147573	CLAMP	1	Assembly, Double Tube
10	37M7510	SCREW	4	M6 X 16
11	M136651	GASKET	2	

**<https://www.ebooklibonline.com>**

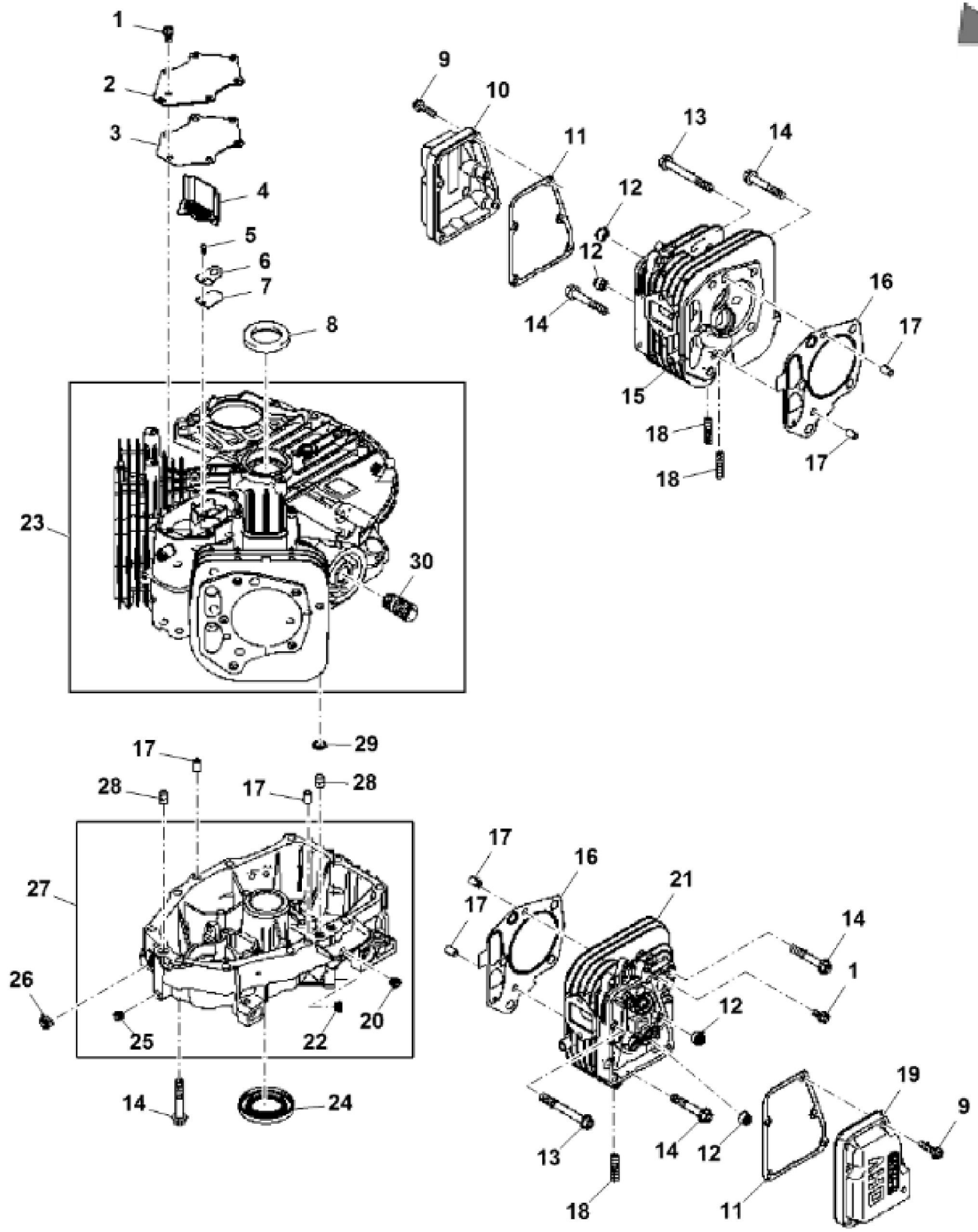
Hello dear friend!

Thank you very much for reading.

Enter the link into your browser.

The full manual is available for immediate download.

**<https://www.ebooklibonline.com>**



John Deere > Turf And Utility >TRACTOR, LAWN AND GARDEN >X584 - TRACTOR, LAWN AND GARDEN >X584 Lawn and Garden Tractor >20 ENGINE MM18195, MM18199 >ST853428 - CYLINDER HEAD AND CRANKCASE

KEY	PART NO.	PART NAME	QTY	REMARKS
1	MIU11325	BOLT	6	
2	MIU12397	COVER	1	Breather
3	MIU12395	GASKET	1	Breather
4	MIU12398	PIPE	1	
5	21M7244	SCREW	1	M4 X 8
6	MIU13821	PLATE	1	
7	MIU11769	VALVE	1	Breather
8	M149281	SEAL	1	
9	19M7863	SCREW	10	M6 X 25
10	MIU13778	CASE	1	Rocker No. 1
11	MIU12394	GASKET	2	Rocker Case
12	M138389	SEAL	4	
13	MIU12209	BOLT	6	
13	19M8319	SCREW	10	M8 X 50
14	MIU11776	BOLT	4	
15	MIU12390	CYLINDER HEAD	1	NO. 1
16	MIU12396	ENGINE CYLINDER HEAD GASKET	2	
17	M74252	PIN	6	
18	MIU12726	STUD	4	
19	MIU14499	COVER	1	Rocker
20	M123645	DRAIN PLUG	1	
21	MIU12391	CYLINDER HEAD	1	NO. 2
22	MIU14001	PLUG	1	
23	MIA12337	CRANKCASE	1	
24	MIU12400	SEAL	1	
25	MIU12401	PLUG	1	
26	M151774	SEAL	1	
27	MIA12754	CRANKCASE	1	
28	MIU14507	PIPE	3	
29	M76104	O-RING	2	
30	MIU13767	ADAPTER FITTING	1	





**Suggest:**

**For more complete manuals. Please go to the home page.**

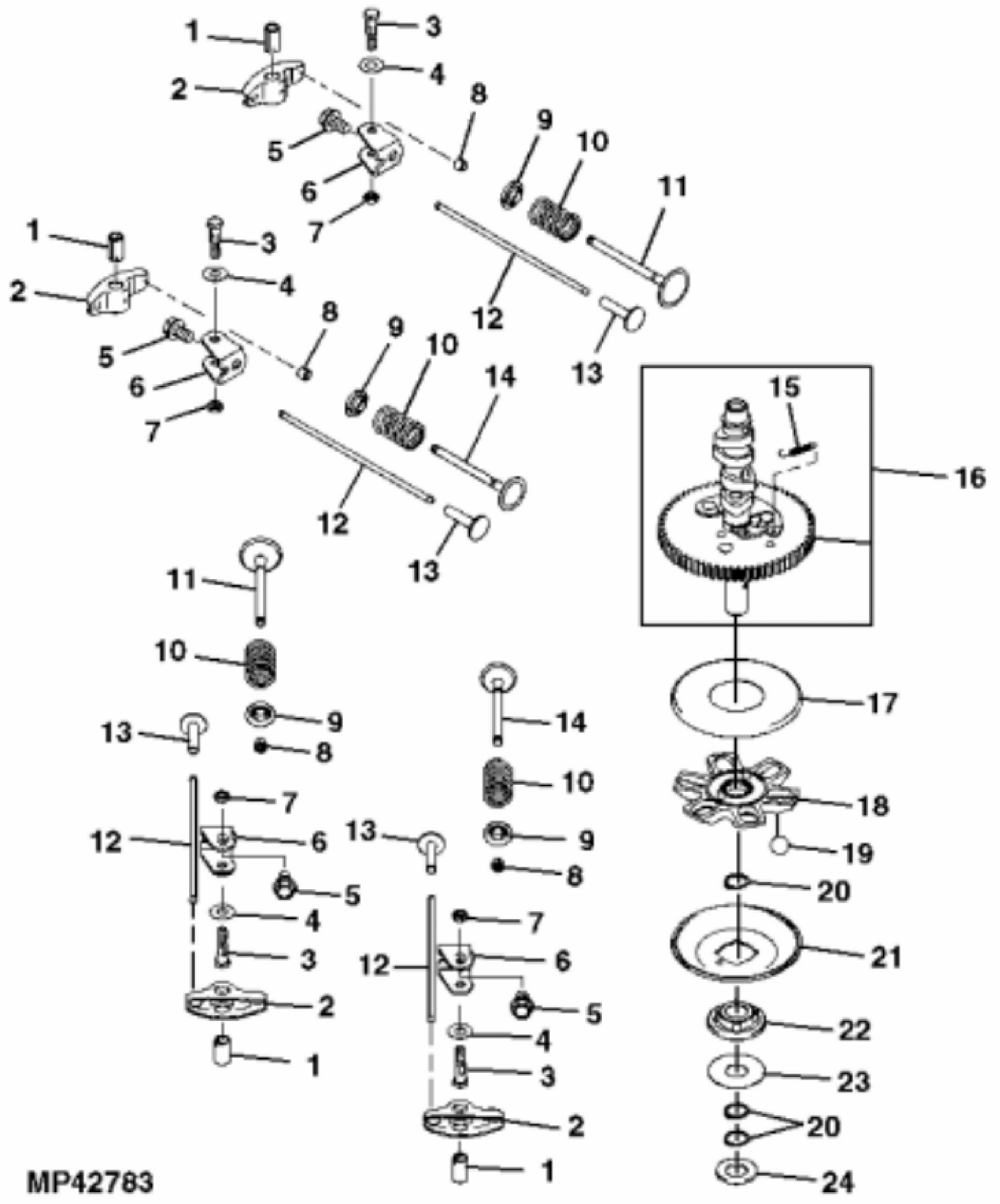
**<https://www.ebooklibonline.com>**

**If the above button click is invalid. Please download this document first, and then click the above link to download the complete manual.**

**Thank you so much for reading**

John Deere > Turf And Utility >TRACTOR, LAWN AND GARDEN >X584 - TRACTOR, LAWN AND GARDEN >X584 Lawn and Garden Tractor >20 ENGINE MM18195, MM18199 >ST853437 - PISTON AND CRANKSHAFT

KEY	PART NO.	PART NAME	QTY	REMARKS	
1	MIU12403	PISTON	2	STD	
2	MIU13270	PISTON PIN	2		
3	MIU12405	PISTON RING KIT	2	STD	
4	MIU13077	CRANKSHAFT	1		
5	MIA11615	CONNECTING ROD	2		
6	MIU12408	SNAP RING	4		
7	M146763	BOLT	2		



MP42783

**<https://www.ebooklibonline.com>**

Hello dear friend!

Thank you very much for reading.

Enter the link into your browser.

The full manual is available for immediate download.

**<https://www.ebooklibonline.com>**