

MP40998

John Deere > Turf And Utility >TRACTOR, LAWN AND GARDEN >X520 - TRACTOR, LAWN AND GARDEN >X520 Multi-Terrain Tractor >20 ENGINE MM14831 >ST541693 - CYLINDER HEAD AND CRANKCASE

KEY	PART NO.	PART NAME	QTY	REMARKS
1	19M7774	SCREW	4	M6 X 12
2	MIU10827	COVER	1	Breather
3	MIU10824	GASKET	1	Breather
4	21M7258	SCREW	1	M4 X 8
5	MIU10826	PLATE	1	Breather
6	MIU10828	VALVE	1	Breather
7	MIU10832	SEAL	2	
8	MIU11775	BOLT	4	SUB FOR M92890 AND MIU11874
9	MIU10823	CASE	2	
10	19M7803	SCREW	10	M8 X 70
10	24M7095	WASHER	10	8.400 X 15 X 1.600 mm
11	MIU10825	GASKET	2	
12	MIA10535	CYLINDER HEAD	1	
13	MIU10820	ENGINE CYLINDER HEAD GASKET	2	
14	M70227	PIN	6	
15	MIU11876	BOLT	4	
16	MIU10835	CLAMP	1	
17	MIU10836	TUBE	1	
18	M147352	CLAMP	1	
19	MIU10822	GASKET	1	
20	19M7864	SCREW	1	M8 X 12
21	MIA10536	CYLINDER HEAD	1	
22	19M8319	SCREW	7	M8 X 50
23	GC00331	SCREW	4	NLA; ORDER GX24210; Engine Mounting
23	GX24210	SCREW	4	
24	MIU10838	BOLT	3	MARKED FD731V-AS02
24	19M7970	SCREW	3	M8 X 100, MARKED FD731V-BS02, FD731V-CS02, FD731V-DS02, FD731V-ES02, FD731V-FS02 and FD731V-GS02
25	MIU10829	COVER	1	MARKED FD731V-AS02, FD731V-BS02, FD731V-CS02 and FD731V-DS02; SUB MIA11740
25	MIA11740	HOUSING KIT	1	MARKED FD731V-ES02 and FD731V-FS02; INCLUDES MIA11741, MIU11328, MIU11329, M150625 and M150626
25	MIA11784	HOUSING KIT	1	MARKED FD731V-GS02; INCLUDES (2) MIU10831, (2) MIU10933, MIU11329 and MIU11328

**<https://www.ebooklibonline.com>**

Hello dear friend!

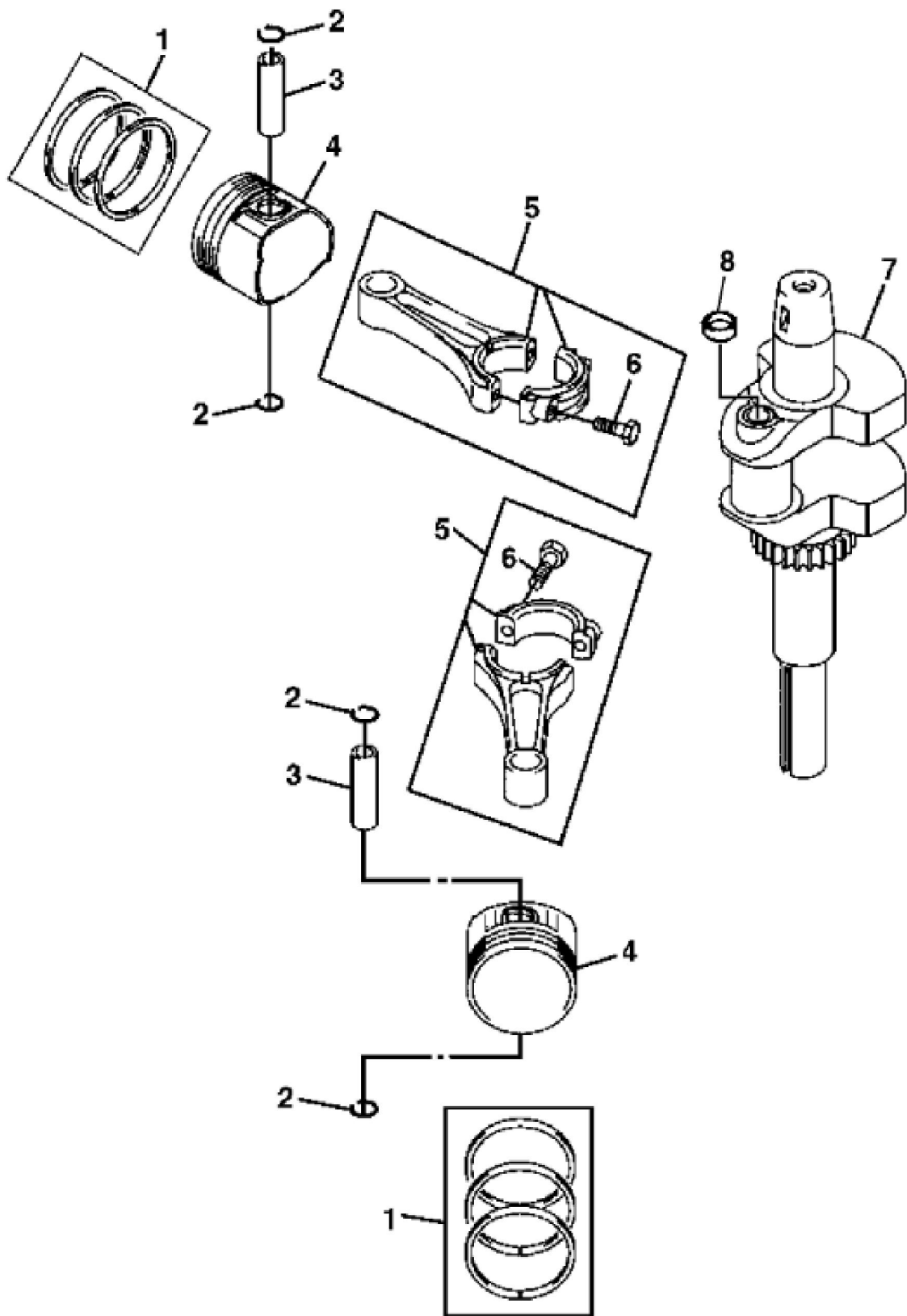
Thank you very much for reading.

Enter the link into your browser.

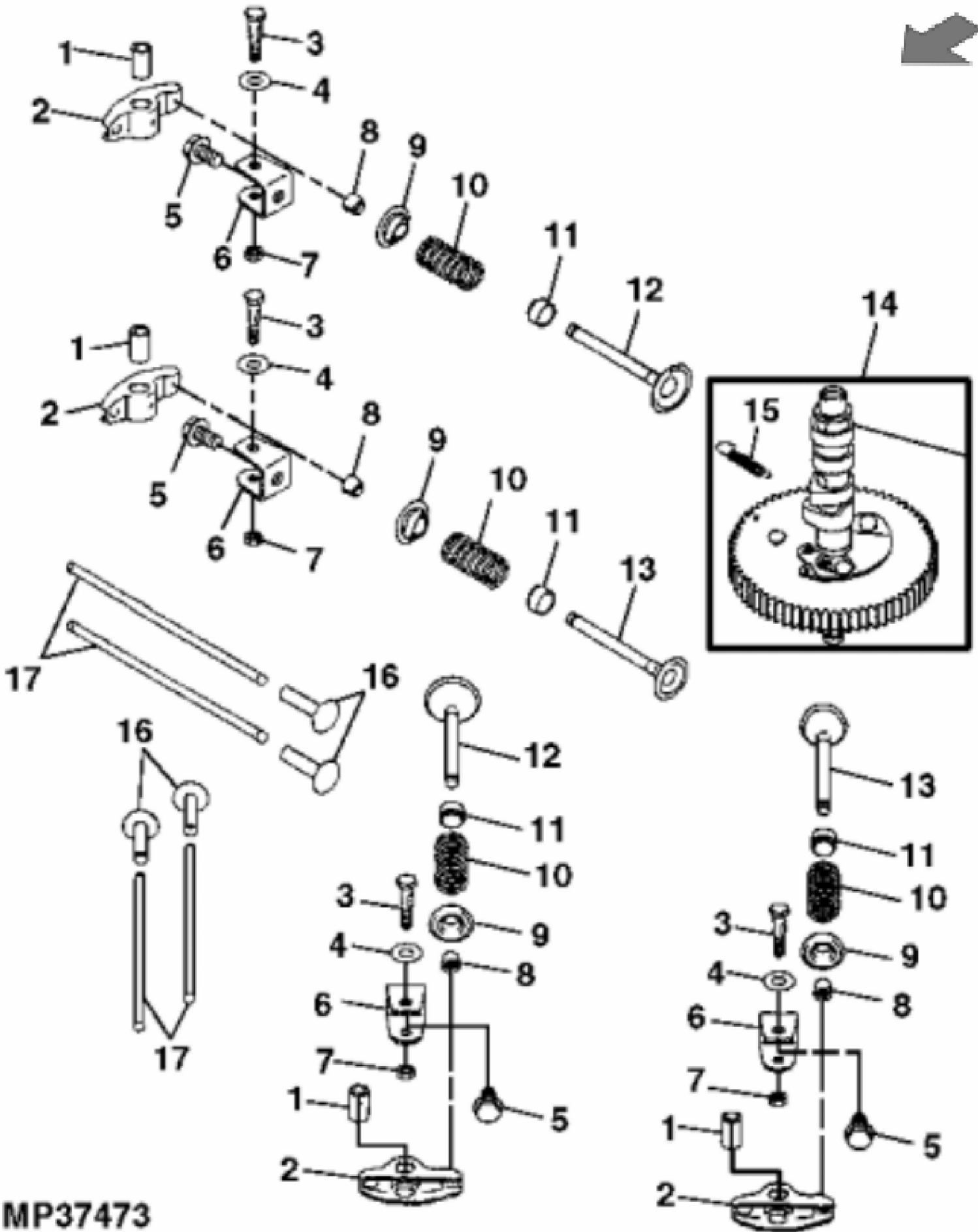
The full manual is available for immediate download.

**<https://www.ebooklibonline.com>**

KEY	PART NO.	PART NAME	QTY	REMARKS
26	MIU10833	SEAL	1	
27	MIA11524	CRANKCASE	1	MARKED FD731-AS02, FD731-BS02, FD731-CS02, FD731-DS02 and FD731-ES02; SUB FOR MIA10537
27	MIA11783	CRANKCASE	1	MARKED FD731V-FS02, FD731V-GS02; INCLUDES M127431 and MIU10933
28	MIU10834	BEARING	2	MARKED FD731V-AS02, FD731V-BS02, FD731V-CS02 and FD731V-DS02
28	MIU10933	BUSHING	3	MARKED FD731V-ES02, FD731V-FS02 and FD731V-GS02
29	MIU10831	SNAP RING	1	MARKED FD731V-AS02, FD731V-BS02, FD731V-CS02 and FD731V-DS02
29	MIU10831	SNAP RING	2	MARKED FD731V-ES02, FD731V-FS02 and FD731V-GS02
30	M76104	O-RING	2	
31	M127431	ADAPTER FITTING	1	
32	MIA12258	CRANKCASE	1	Not Illustrated; INCLUDES MIA11783, MIA11784, M150625 and M150626
33	AM134889	GASOLINE ENGINE	1	Not Illustrated; MARKED FD731V-AS02
33	MIA10765	GASOLINE ENGINE	1	Not Illustrated; MARKED FD731V-BS02; SUB MIA11742; ALSO ORDER AM136579
33	MIA10835	GASOLINE ENGINE	1	Not Illustrated; MARKED FD731V-CS02; SUB MIA11742; ALSO ORDER AM136579
33	MIA11078	GASOLINE ENGINE	1	Not Illustrated; MARKED FD731V-DS02; SUB MIA11835
33	MIA11711	GASOLINE ENGINE	1	Not Illustrated; MARKED FD731V-ES02; SUB MIA11835
33	MIA11777	GASOLINE ENGINE	1	Not Illustrated; MARKED FD731V-FS02; SUB MIA11835
33	MIA11835	GASOLINE ENGINE	1	Not Illustrated; NLA; MARKED FD731V-GS02; ORDER MIA11887
33	MIA11887	GASOLINE ENGINE	1	Not Illustrated; NLA; ORDER MIA12030
33	MIA12030	GASOLINE ENGINE	1	Not Illustrated
33	MIA11742	SHORT BLOCK ASSEMBLY	1	NLA; Not Illustrated



KEY	PART NO.	PART NAME	QTY	REMARKS	
1	MIU10842	PISTON RING KIT	2		
2	MIU10843	SNAP RING	4		
3	MIU10841	PISTON PIN	2		
4	MIU10840	PISTON	2		
5	MIA10539	CONNECTING ROD	2		
6	19M7833	SCREW	2	M6 X 35	
7	MIA10538	CRANKSHAFT	1		
8	MIU10844	PLUG	1		



MP37473



**Suggest:**

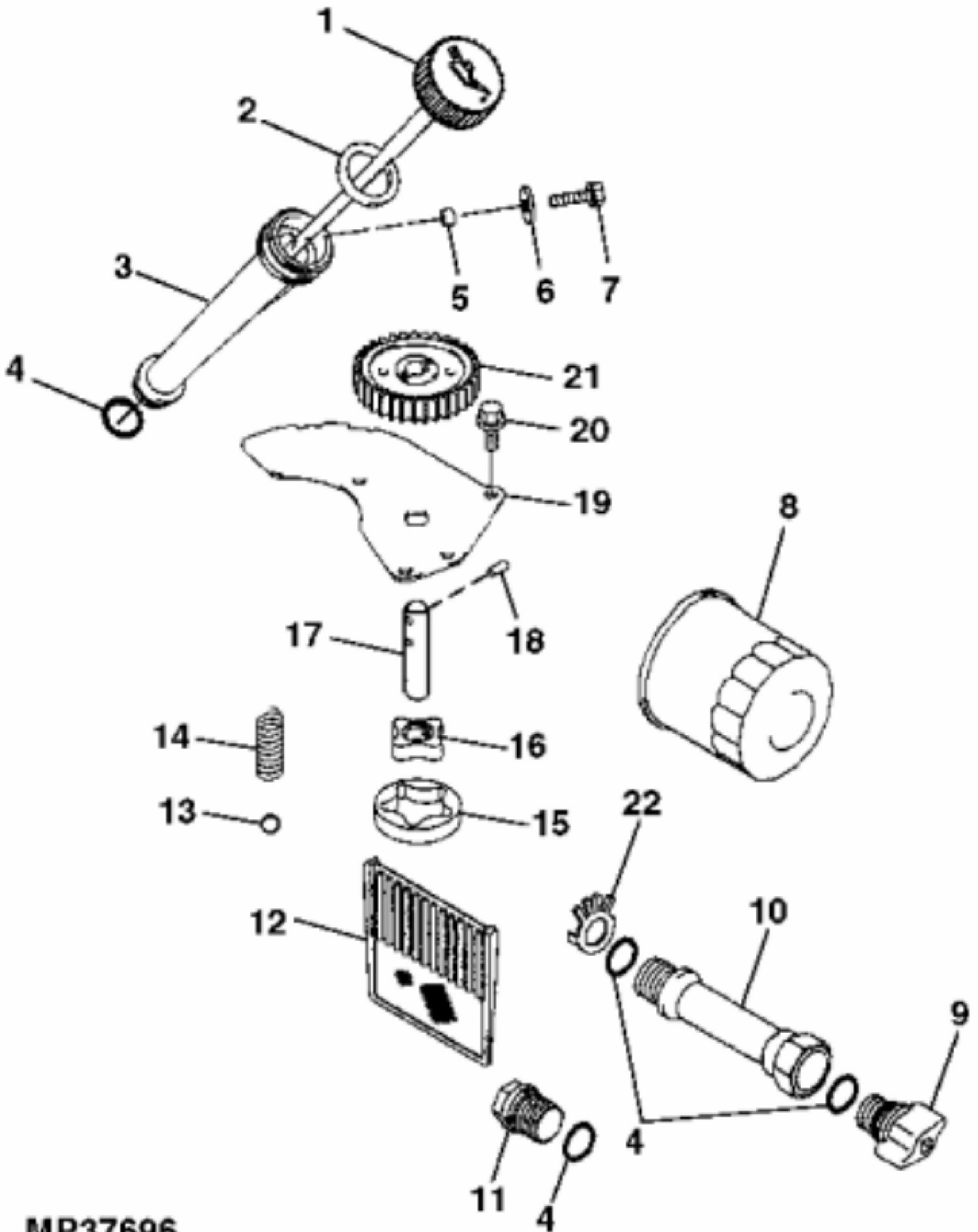
**For more complete manuals. Please go to the home page.**

**<https://www.ebooklibonline.com>**

**If the above button click is invalid. Please download this document first, and then click the above link to download the complete manual.**

**Thank you so much for reading**

KEY	PART NO.	PART NAME	QTY	REMARKS	
1	M147318	BUSHING	4		
2	MIU14434	ROCKER ARM	4	SUB FOR M147314	
3	M147317	BOLT	4		
4	M147320	WASHER	4		
5	M147319	BOLT	4		
6	MIU10846	BRACKET	4		
7	14M7272	NUT	4	M6	
8	AM132412	RETAINER KIT	4	Collet (2 Halves)	
9	M72322	RETAINER	4		
10	MIU10850	SPRING	4	Engine Valve	
11	M70034	SEAL	4		
12	MIU13295	VALVE	2	SUB FOR MIU10847; Intake	
13	MIU10848	EXHAUST VALVE	2	Exhaust	
14	MIA10540	CAMSHAFT	1		
15	MIU10851	SPRING	1		
16	MIU10849	TAPPET	4		
17	M147315	PUSH ROD	4		



MP37696

**<https://www.ebooklibonline.com>**

Hello dear friend!

Thank you very much for reading.

Enter the link into your browser.

The full manual is available for immediate download.

**<https://www.ebooklibonline.com>**