

CYLINDER HEAD AND CRANKCASE

KEY	PART NO.	PART NAME	QTY	REMARKS
1	M147295	VALVE COVER	1	RH
2	19M7874	CAP SCREW	8	M6 X 30
3	MIU11493	BOLT	8	(SUB FOR M147306)
4	M147297	GASKET	2	
5	MIU11492	BOLT	4	(SUB FOR M147305)
6	M68144	STUD	4	NLA; ORDER MIU11949
7	AM132281	CYLINDER HEAD	1	RH
8	M147293	ENGINE CYLINDER HEAD GASKET	2	
9	MIU14325	CYLINDER HEAD	1	SUB FOR AM132282
10	M147294	VALVE COVER	1	LH
11	M77734	CLAMP	2	
12	M147307	TUBE	1	
13	19M7868	SCREW	4	M8 X 30
14	M147299	COVER	1	
15	M95848	SCREW	2	
16	M147298	PLATE	2	
17	M147300	VALVE	2	BREATHER
18	M147296	GASKET	1	
19	M147302	SEAL	1	
20	MIU12134	BEARING	1	(SUB FOR M147304)
21	M127431	ADAPTER FITTING	1	USE WITH AM132283
22	MIA12868	CRANKCASE	1	SUB FOR AM132283
23	M70227	PIN	6	
24	M76104	O-RING	3	
25	MIU10833	SEAL	1	(SUB FOR M94387)
26	19M8318	SCREW	6	M8 X 45
27	M139490	BOLT	4	(SUB FOR M94242)
28	MIA12867	CRANKCASE	1	SUB FOR M147763
29	M147303	SEAL	1	
30	MIU14326	BEARING	1	USE WITH MIA12867
..	AM129567	GASOLINE ENGINE	1	(MARKED FD711D-AS02) (SUB MIA10763)
..	AM135054	GASOLINE ENGINE	1	(MARKED FD711D-BS02) (SUB MIA10763)
..	AM132305	SHORT BLOCK ASSEMBLY	1	

<https://www.ebooklibonline.com>

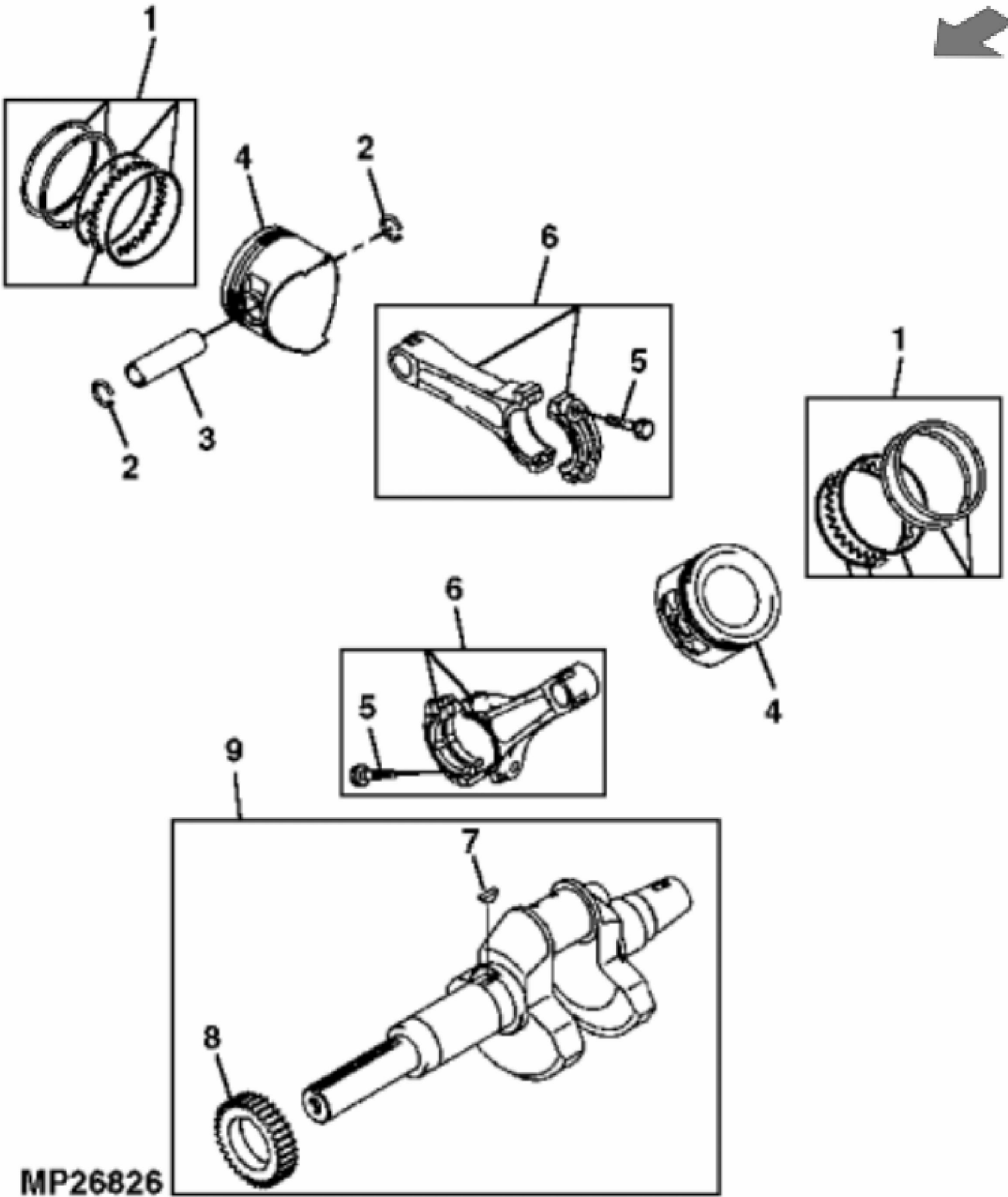
Hello dear friend!

Thank you very much for reading.

Enter the link into your browser.

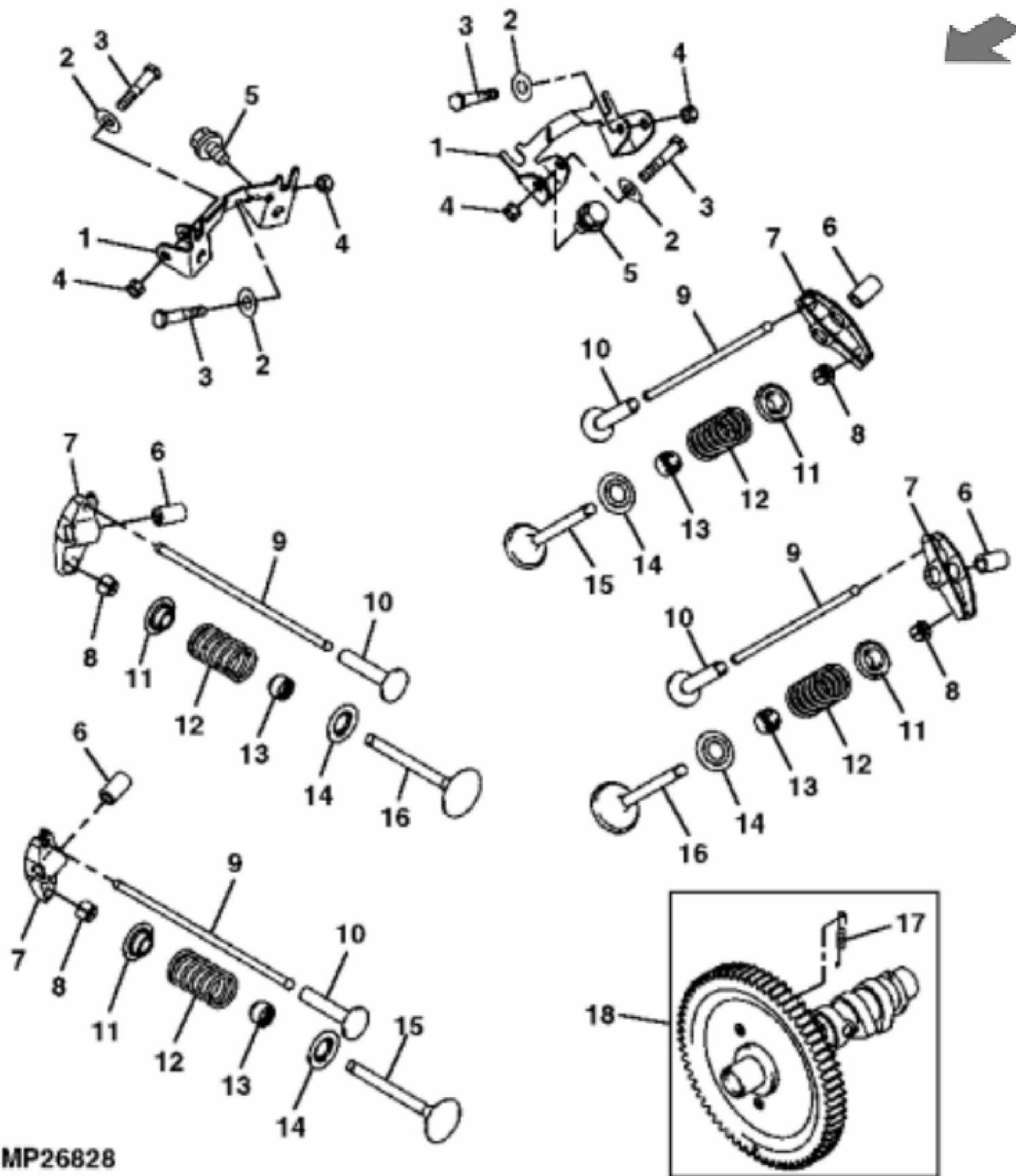
The full manual is available for immediate download.

<https://www.ebooklibonline.com>



CRANKSHAFT AND PISTON ASSEMBLY

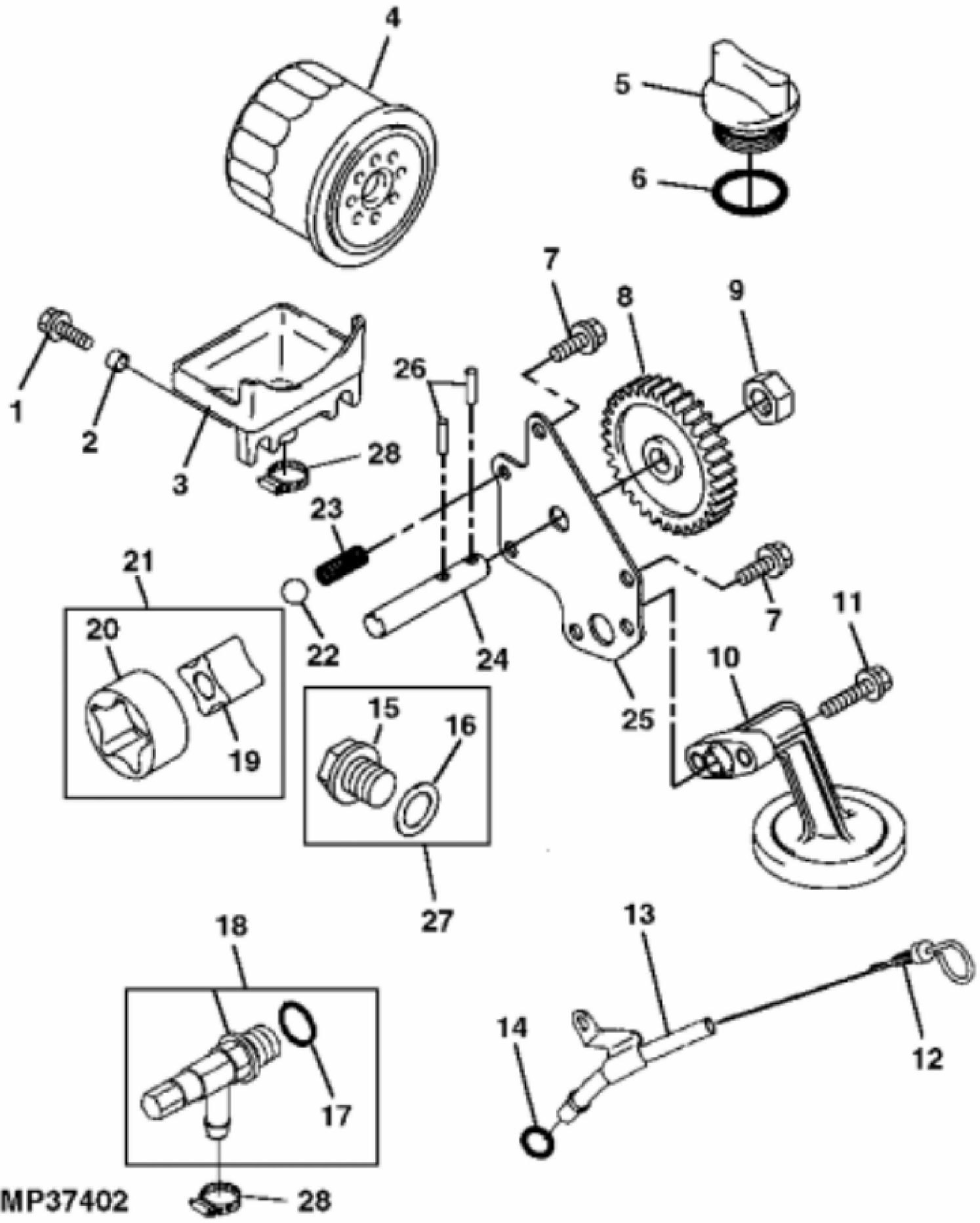
KEY	PART NO.	PART NAME	QTY	REMARKS	
1	AM102610	PISTON RING KIT	2		
2	M70220	SNAP RING	4		
3	M70219	PISTON PIN	2		
4	M147308	PISTON	2		
5	M147310	BOLT	2		
6	AM132284	CONNECTING ROD	2		
7	M77843	SHAFT KEY	1		
8	M147309	SPUR GEAR	1		
9	MIA10555	CRANKSHAFT	1	(SUB FOR AM132285)	



MP26828

CAMSHAFT AND VALVES

KEY	PART NO.	PART NAME	QTY	REMARKS	
1	M147311	BRACKET	2		
2	M147320	WASHER	4		
3	M147317	BOLT	4		
4	14M7272	NUT	4	M6	
5	M147319	BOLT	4		
6	M147318	BUSHING	4		
7	MIU14434	ROCKER ARM	4	SUB FOR M147314	
8	AM132412	RETAINER	4	(INCLUDES (2) HALVES)	
9	M147315	PUSH ROD	4		
10	M70213	TAPPET	4		
11	M72322	RETAINER	4		
12	M70206	SPRING	4		
13	M70034	SEAL	4		
14	M70033	SEAT	4		
15	M147313	EXHAUST VALVE	2		
16	M147312	INTAKE VALVE	2		
17	M147316	SPRING	1		
18	MIA12870	CAMSHAFT	1	SUB FOR AM132286	



MP37402



Suggest:

For more complete manuals. Please go to the home page.

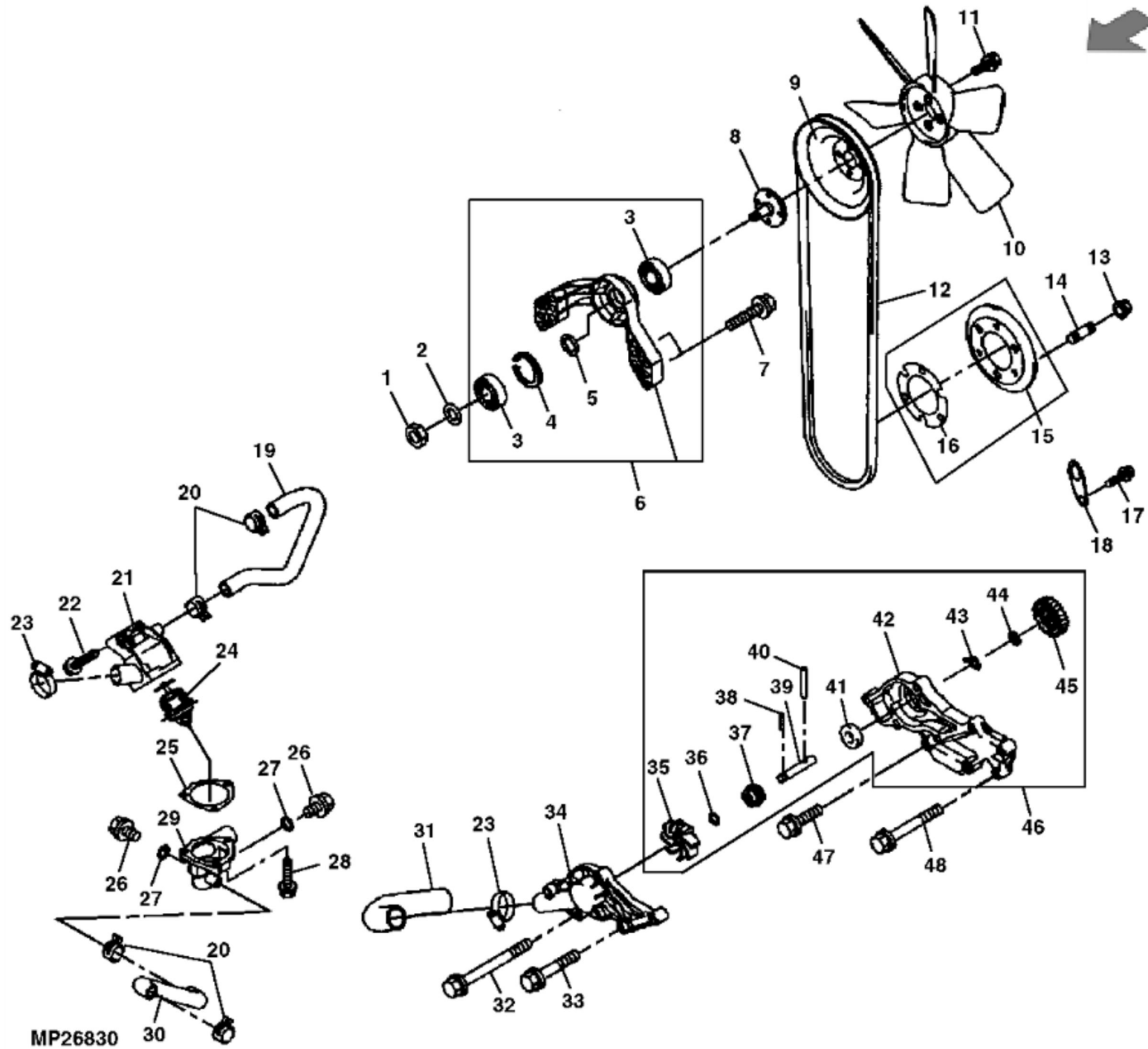
<https://www.ebooklibonline.com>

If the above button click is invalid. Please download this document first, and then click the above link to download the complete manual.

Thank you so much for reading

John Deere > Turf And Utility >TRACTOR, LAWN AND GARDEN >X485 - TRACTOR, LAWN AND GARDEN >X485 Lawn and Garden Tractor >20 ENGINE (FD711D-AS02, BS02) AM135054 >ST603054 - ENGINE OIL PUMP AND FILTER

KEY	PART NO.	PART NAME	QTY	REMARKS
1	M147332	BOLT	2	
2	M117056	BUSHING	2	
3	M146870	TRAY	1	Oil Drip
4	AM107423	OIL FILTER	1	
5	M147324	FILLER CAP	1	
6	M147334	O-RING	1	
7	19M7775	SCREW	2	M6 X 16
8	M147330	SPUR GEAR	1	
9	M147322	NUT	1	
10	M147328	ADAPTER FITTING	1	Oil Filter
11	19M7863	SCREW	2	M6 X 25
12	M148204	DIPSTICK	1	NLA; ORDER MIU14055
12	MIU14055	GAUGE	1	(The tube is no longer needed with the new dipstick MIU14055)
13	M148203	PIPE	1	NLA; ORDER MIU13856
13	MIU13856	PIPE	1	
14	M117034	O-RING	1	
15	PT14207	DRAIN PLUG	1	
16	M76158	GASKET	1	
17	51M7042	O-RING	1	13.300 X 2.200 mm
18	AM115362	DRAIN VALVE	1	
18	HOSE	1	Cut From TY22562; Oil Drain
19	M147326	ROTOR	1	Inner
20	M147325	ROTOR	1	Outer
21	AM132287	OIL PUMP	1	
22	M76105	BALL	1	
23	M76102	SPRING	1	
24	M147321	SHAFT	1	
25	M147323	COVER	1	
26	M127265	DOWEL PIN	2	
27	AM134915	DRAIN PLUG	3	SUB FOR AM109035; Sub Componenets
28	M93999	HOSE CLAMP	2	



MP26830

<https://www.ebooklibonline.com>

Hello dear friend!

Thank you very much for reading.

Enter the link into your browser.

The full manual is available for immediate download.

<https://www.ebooklibonline.com>