

KEY	PART NO.	PART NAME	QTY	REMARKS
1	M146871	PIPE	1	
2	M138388	PIN	6	
3	M147908	ENGINE CYLINDER HEAD GASKET	2	
4	AM135296	CYLINDER HEAD	1	(NO.2) (SUB FOR AM132396)
5	MIU11322	BOLT	2	SUB FOR M138394
6	M140221	GASKET	2	
7	19M7320	CAP SCREW	4	M6 X 40
8	M140218	VALVE COVER	1	(CYLINDER NO.1)
8	M146867	VALVE COVER	1	(CYLINDER NO.2)
9	M138389	SEAL	4	
10	MIU11326	BOLT	18	(SUB FOR M138393)
11	M138395	STUD	4	NLA; ORDER MIU11736
11	MIU11736	BOLT	4	NLA; ORDER MIU12726
11	MIU12726	STUD	4	
12	19M7774	SCREW	4	M6 X 12
13	M140224	COVER	1	
14	M140222	GASKET	1	BREATHER
15	MIU11522	PIPE	1	(SUB FOR M146872)
16	M149281	SEAL	1	(SUB FOR M138390)
17	M127431	ADAPTER FITTING	1	
18	MIA10529	CRANKCASE	1	(NLA) (SUB MIA11106) (ALSO ORDER M153043, MIA11108, MIA11197 AND MIU11231) (SUB FOR AM132474)
19	M138425	PLUG	1	
20	TCA17360	DRAIN VALVE	2	(SUB FOR TCA12370 OR TCA16240)
20	HOSE	1	OIL DRAIN, (CUT FROM TY22562)
21	M88478	O-RING	2	
22	M146869	VALVE	1	
23	21M7244	SCREW	2	M4 X 8
24	MIU10794	GASKET	1	(SUB FOR M146868)
25	M153043	COVER	1	(SUB FOR M146873, M150450 OR M153200)
26	M140231	SNAP RING	1	
27	MIU11104	SEAL	1	(SUB FOR M146874)
28	M138392	SEAL	1	NLA; ORDER M151774
28	M151774	SEAL	1	

<https://www.ebooklibonline.com>

Hello dear friend!

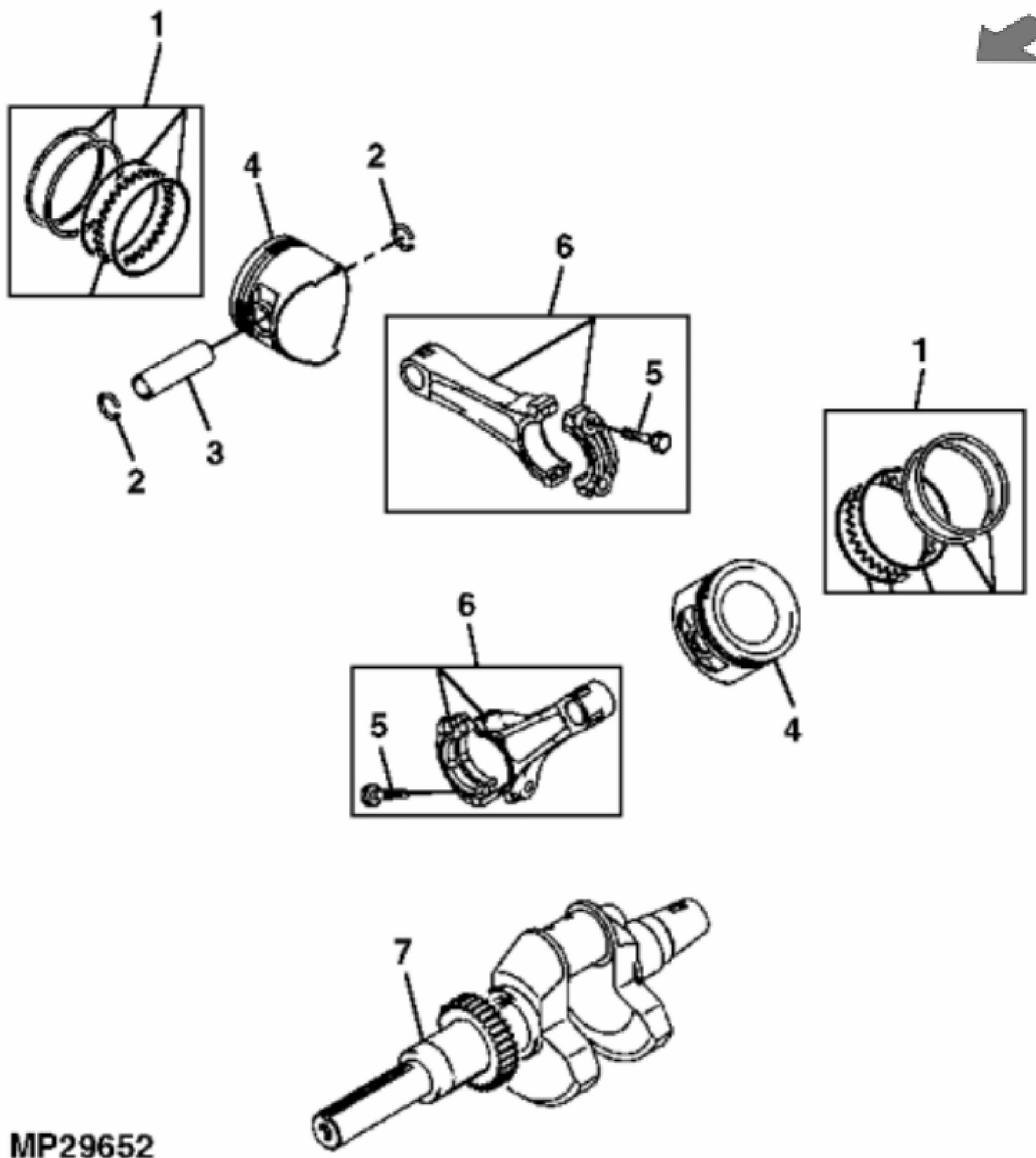
Thank you very much for reading.

Enter the link into your browser.

The full manual is available for immediate download.

<https://www.ebooklibonline.com>

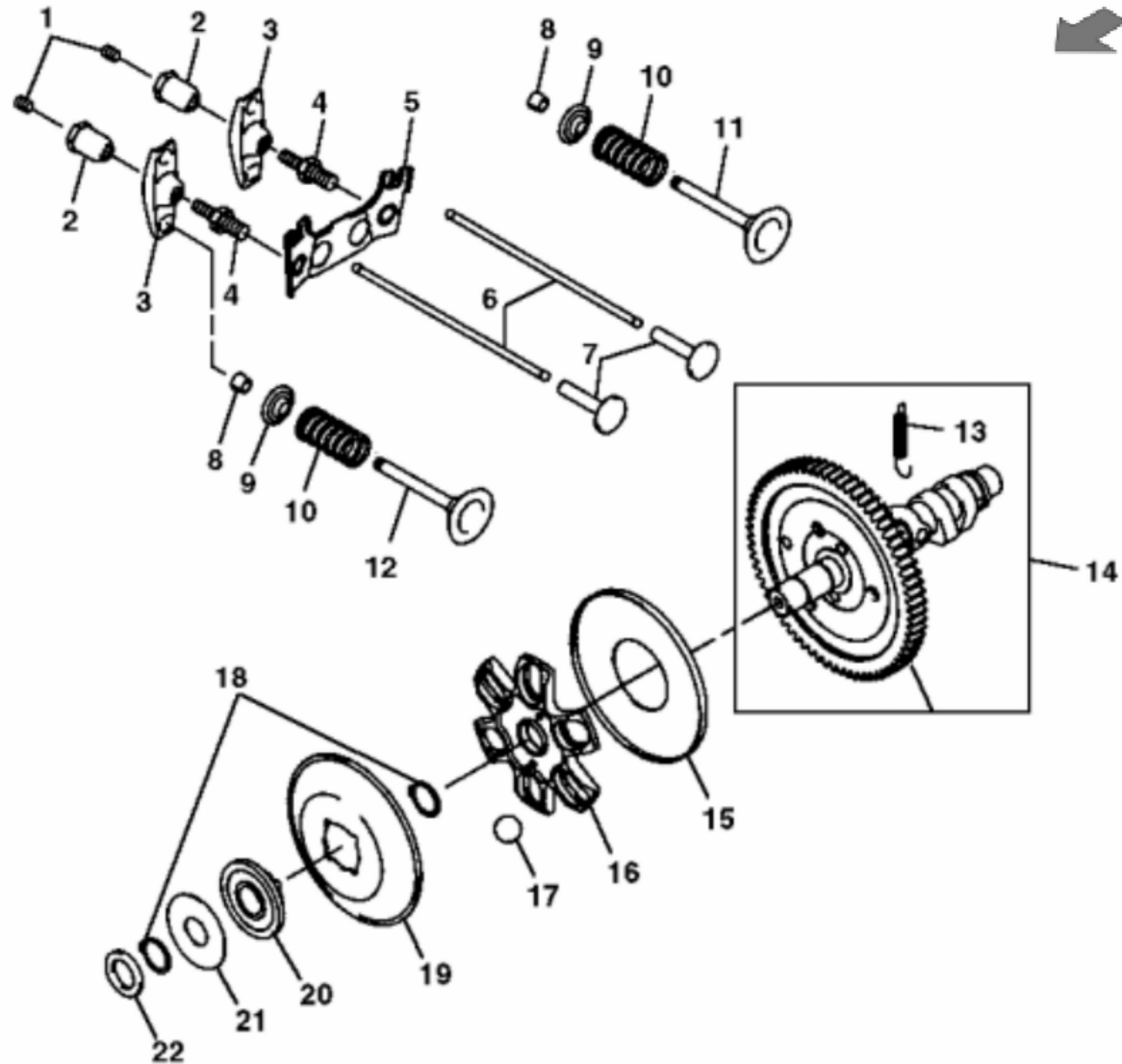
KEY	PART NO.	PART NAME	QTY	REMARKS	
29	MIA10402	CYLINDER HEAD	1	(NO.1) (SUB FOR AM132473)	
30	19M7807	SCREW	4	M10 X 60, ENGINE MOUNTING	
31	14M7400	LOCK NUT	4	M10	
..	AM129574	GASOLINE ENGINE	1	(FH641D-BS04) (ORDER AM132976)	
..	AM132976	SHORT BLOCK ASSEMBLY	1	(NLA)	



MP29652

John Deere > Turf And Utility >TRACTOR, LAWN AND GARDEN >X465 - TRACTOR, LAWN AND GARDEN >X465 Lawn and Garden Tractor >20 ENGINE AM129574 >ST603175 - CRANKSHAFT AND PISTON ASSEMBLY

KEY	PART NO.	PART NAME	QTY	REMARKS	
1	AM128738	PISTON RING KIT	2	STD	
1	AM132069	PISTON RING KIT	2	.50 MM (.020") OS	
2	M138398	SNAP RING	4	(SUB FOR M140233)	
3	M138397	PISTON PIN	2		
4	M143319	PISTON	2	STD	
4	M146875	PISTON	2	.50 MM (.020") OS	
5	M146763	BOLT	2		
6	MIA10804	CONNECTING ROD	2	(SUB FOR AM132025)	
7	AM133262	CRANKSHAFT	1		



MP29653



Suggest:

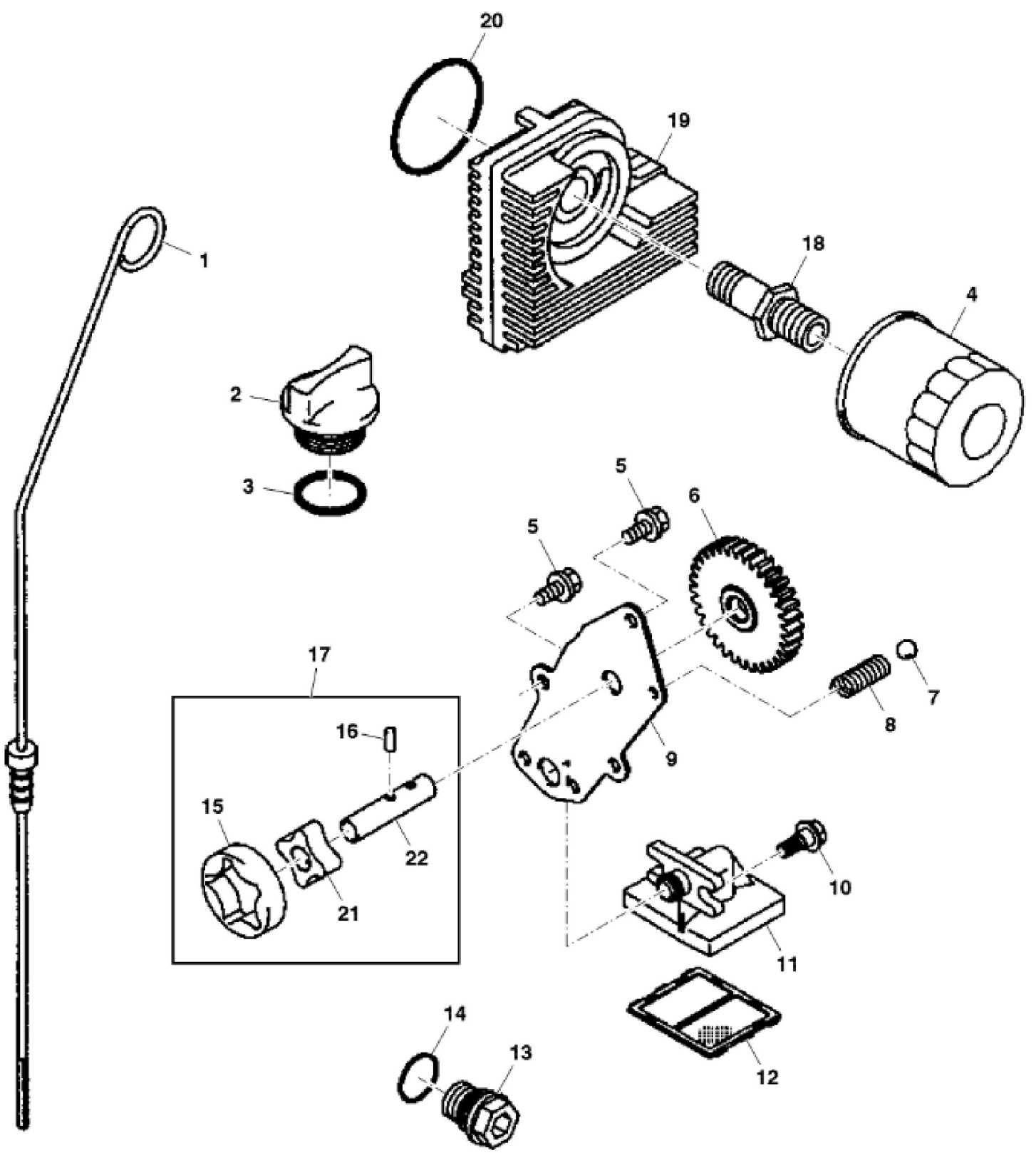
For more complete manuals. Please go to the home page.

<https://www.ebooklibonline.com>

If the above button click is invalid. Please download this document first, and then click the above link to download the complete manual.

Thank you so much for reading

KEY	PART NO.	PART NAME	QTY	REMARKS
1	M138410	SCREW	4	
2	M150577	BRACKET	4	(SUB FOR M92981)
3	M146876	ROCKER ARM	4	
4	M146881	BOLT	4	
5	M146877	GUIDE	2	
6	M146879	PUSH ROD	4	
7	M138403	TAPPET	4	
8	M118845	RETAINER	4	
9	M138401	RETAINER	4	
10	M140241	SPRING	4	
11	M140234	INTAKE VALVE	2	
12	M147596	EXHAUST VALVE	2	
13	M138413	EXTENSION SPRING	1	
14	AM130638	CAMSHAFT	1	(SUB MIA11197) (ALSO ORDER M146882 AND MIU11231)
15	M140240	PLATE	1	
16	M146878	GUIDE	1	
17	MIU10971	BALL	6	(SUB FOR M138412)
18	M138411	SNAP RING	2	NLA; ORDER MIU14000
18	MIU14000	SNAP RING	2	
19	M146880	PLATE	1	
20	MIU10708	SLEEVE	1	NLA;ORDER MIU13044; SUB FOR M138408 OR M149875
20	MIU13044	SLEEVE	1	
21	M146882	WASHER	1	
22	M138415	SPACER	1	



PU08351

<https://www.ebooklibonline.com>

Hello dear friend!

Thank you very much for reading.

Enter the link into your browser.

The full manual is available for immediate download.

<https://www.ebooklibonline.com>