

PU20814

John Deere > Turf And Utility >TRACTOR, LAWN AND GARDEN >X390 - TRACTOR, LAWN AND GARDEN >X390 Lawn and Garden Tractor >20 ENGINE MM18194 >ST842340 - ENGINE AND THROTTLE ASSEMBLY

| KEY | PART NO. | PART NAME | QTY | REMARKS |
|-----|----------|-----------------|-----|-----------------------------------|
| 1 | H77698 | TIE BAND | 1 | |
| 2 | N309660 | LOCK NUT | 1 | |
| 3 | GX24210 | SCREW | 4 | 9.525 X 29.580 mm (3/8" X 1.165") |
| 4 | MIA12529 | GASOLINE ENGINE | 1 | MARKED FS651V-ES05R; Kawasaki |
| 5 | 19M7865 | SCREW | 3 | M8 X 16 |
| 6 | M162896 | GUARD | 1 | Fuel Line |
| 7 | M155077 | CLAMP | 1 | |
| 8 | AM140333 | ACCELERATOR | 1 | Throttle Assembly |
| 9 | AM147573 | CLAMP | 1 | Assembly, Double Tube |
| 10 | 37M7510 | SCREW | 4 | M6 X 16 |
| 11 | M136651 | GASKET | 2 | |

<https://www.ebooklibonline.com>

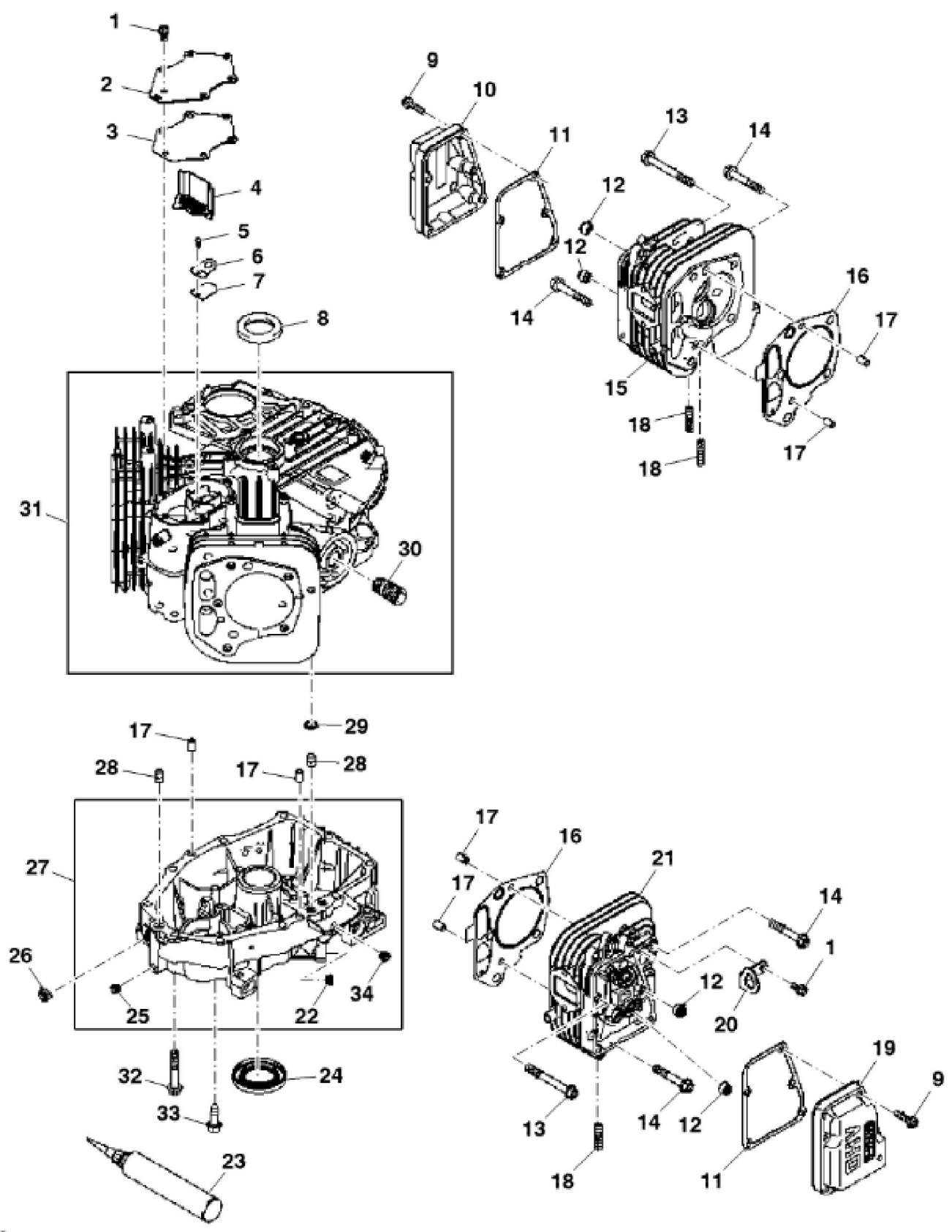
Hello dear friend!

Thank you very much for reading.

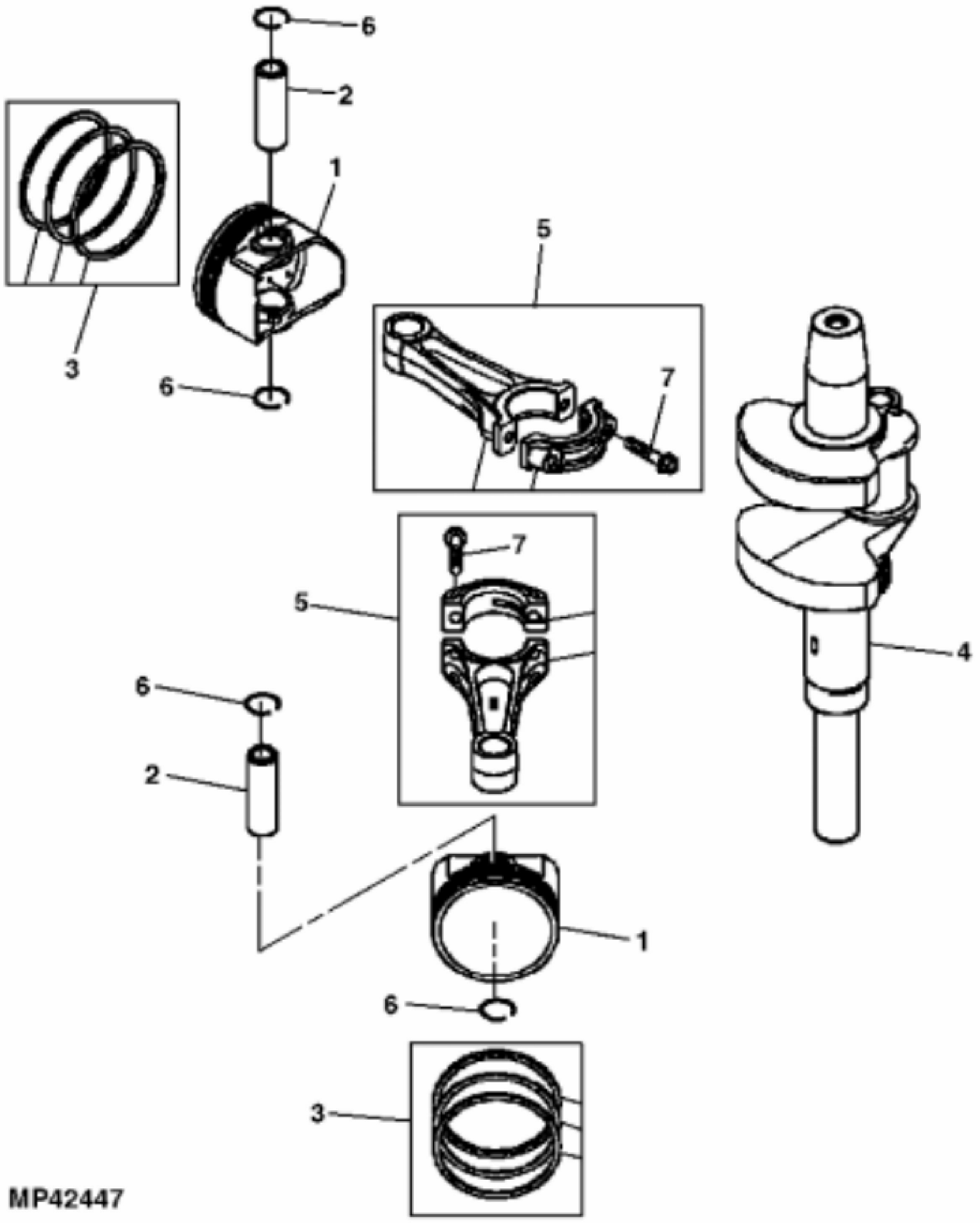
Enter the link into your browser.

The full manual is available for immediate download.

<https://www.ebooklibonline.com>

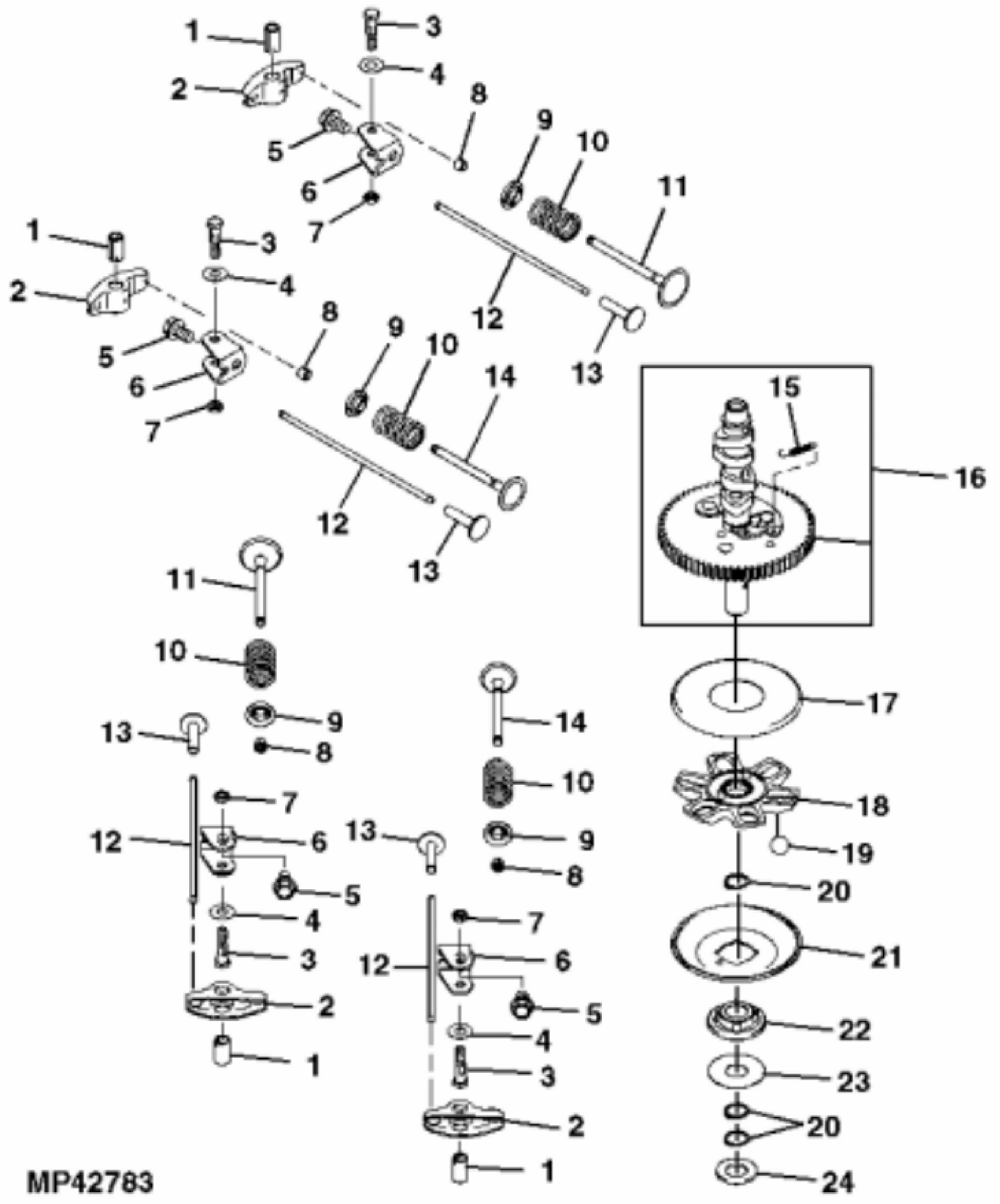


| KEY | PART NO. | PART NAME | QTY | REMARKS |
|-----|----------|-----------------------------|-----|-------------|
| 1 | MIU11325 | BOLT | 7 | |
| 2 | MIU12397 | COVER | 1 | Breather |
| 3 | MIU12395 | GASKET | 1 | Breather |
| 4 | MIU12398 | PIPE | 1 | |
| 5 | 21M7244 | SCREW | 1 | M4 X 8 |
| 6 | MIU13821 | PLATE | 1 | |
| 7 | MIU11769 | VALVE | 1 | Breather |
| 8 | M149281 | SEAL | 1 | |
| 9 | 19M7863 | SCREW | 10 | M6 X 25 |
| 10 | MIU13778 | CASE | 1 | Rocker No.1 |
| 11 | MIU12394 | GASKET | 2 | Rocker Case |
| 12 | M138389 | SEAL | 4 | |
| 13 | MIU12209 | BOLT | 6 | |
| 14 | MIU11776 | BOLT | 4 | |
| 15 | MIU12390 | CYLINDER HEAD | 1 | No. 1 |
| 16 | MIU12396 | ENGINE CYLINDER HEAD GASKET | 2 | |
| 17 | M74252 | PIN | 6 | |
| 18 | MIU12726 | STUD | 4 | |
| 19 | MIU14499 | COVER | 1 | |
| 20 | MIU13780 | HOOK | 1 | Lift |
| 21 | MIU12391 | CYLINDER HEAD | 1 | No. 2 |
| 22 | MIU14001 | PLUG | 1 | |
| 23 | M64850 | SEALANT | AR | |
| 24 | MIU12400 | SEAL | 1 | |
| 25 | MIU12401 | PLUG | 1 | |
| 26 | M151774 | SEAL | 1 | |
| 27 | MIA12754 | CRANKCASE | 1 | |
| 28 | MIU14507 | PIPE | 3 | |
| 29 | M76104 | O-RING | 2 | |
| 30 | MIU13767 | ADAPTER FITTING | 1 | |
| 31 | MIA12337 | CRANKCASE | 1 | |
| 32 | 19M8319 | SCREW | 10 | M8 X 50 |
| 33 | GX24210 | SCREW | 4 | |
| 34 | M123645 | DRAIN PLUG | 1 | |



MP42447

| KEY | PART NO. | PART NAME | QTY | REMARKS | |
|-----|----------|-----------------|-----|---------|--|
| 1 | MIU12403 | PISTON | 2 | STD | |
| 2 | MIU13270 | PISTON PIN | 2 | | |
| 3 | MIU12405 | PISTON RING KIT | 2 | STD | |
| 4 | MIU13077 | CRANKSHAFT | 1 | | |
| 5 | MIA11615 | CONNECTING ROD | 2 | | |
| 6 | MIU12408 | SNAP RING | 4 | | |
| 7 | M146763 | BOLT | 2 | | |



MP42783



Suggest:

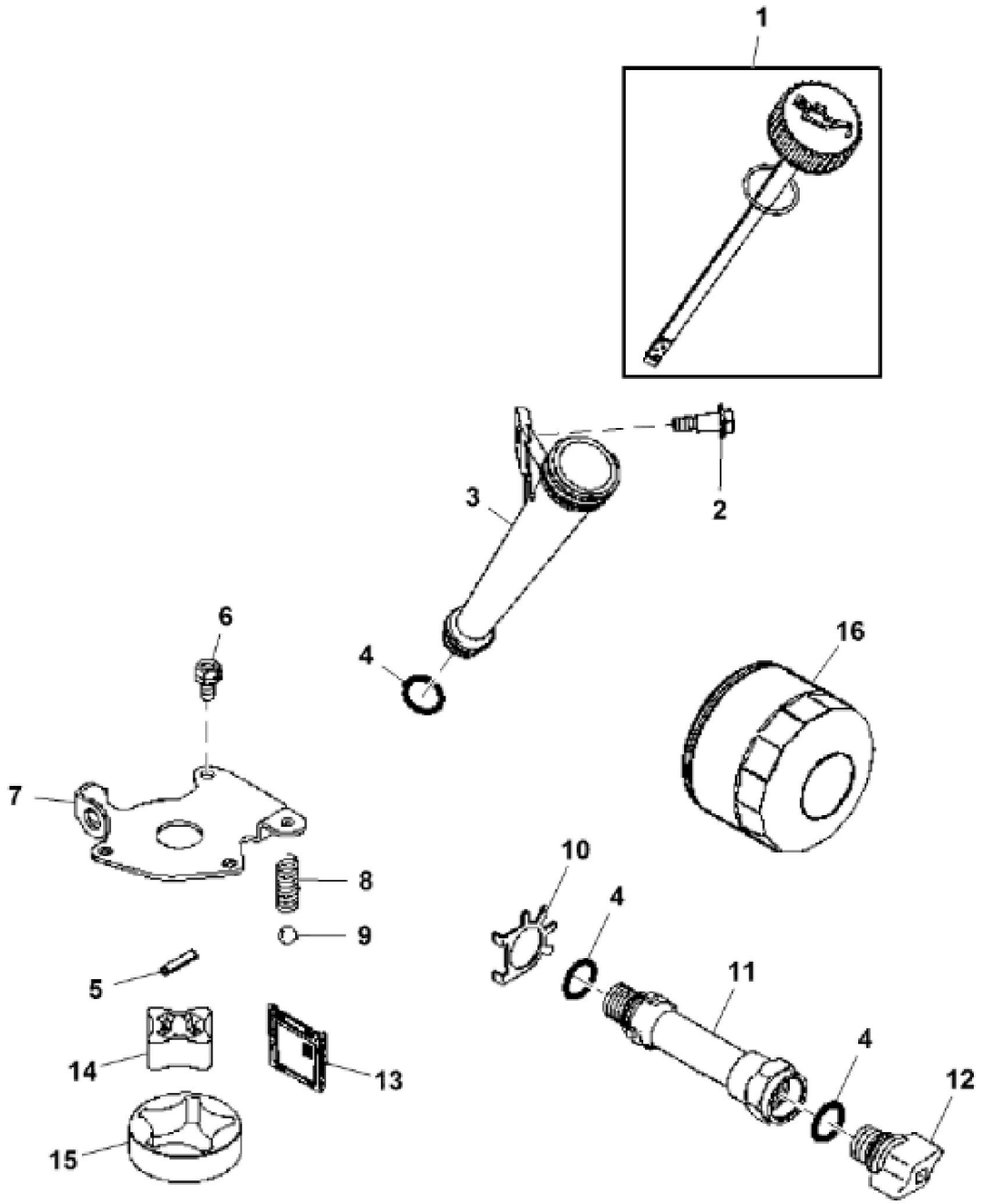
For more complete manuals. Please go to the home page.

<https://www.ebooklibonline.com>

If the above button click is invalid. Please download this document first, and then click the above link to download the complete manual.

Thank you so much for reading

| KEY | PART NO. | PART NAME | QTY | REMARKS | |
|-----|----------|------------------|-----|---------|--|
| 1 | MIU13989 | SLEEVE | 4 | | |
| 2 | MIU14434 | ROCKER ARM | 4 | | |
| 3 | MIU11795 | BOLT | 4 | | |
| 4 | M147320 | WASHER | 4 | | |
| 5 | MIU11744 | BOLT | 4 | | |
| 6 | MIU11783 | BRACKET | 4 | | |
| 7 | 14M7272 | NUT | 4 | M6 | |
| 8 | M118845 | RETAINER | 8 | | |
| 9 | M138401 | RETAINER | 4 | | |
| 10 | M140241 | SPRING | 4 | | |
| 11 | MIU14406 | INTAKE VALVE | 2 | | |
| 12 | MIU14485 | ROD | 4 | | |
| 13 | M138403 | TAPPET | 4 | | |
| 14 | MIU14407 | EXHAUST VALVE | 2 | | |
| 15 | M138413 | EXTENSION SPRING | 1 | | |
| 16 | MIA11616 | CAMSHAFT | 1 | | |
| 17 | M140240 | PLATE | 1 | | |
| 18 | MIU12411 | GUIDE | 1 | | |
| 19 | MIU10971 | BALL | 6 | | |
| 20 | MIU14000 | SNAP RING | 3 | | |
| 21 | M146880 | PLATE | 1 | | |
| 22 | MIU13044 | SLEEVE | 1 | | |
| 23 | M146882 | WASHER | 1 | | |
| 24 | MIU12413 | WASHER | 1 | | |



MX279862

<https://www.ebooklibonline.com>

Hello dear friend!

Thank you very much for reading.

Enter the link into your browser.

The full manual is available for immediate download.

<https://www.ebooklibonline.com>