

PU20813

John Deere > Turf And Utility >TRACTOR, LAWN AND GARDEN >X380 - TRACTOR, LAWN AND GARDEN >X380 Lawn and Garden Tractor >20 ENGINE MM18194, MM18198 >ST842433 - ENGINE AND THROTTLE ASSEMBLY

KEY	PART NO.	PART NAME	QTY	REMARKS
1	H77698	TIE BAND	1	
2	N309660	LOCK NUT	1	
3	GX24210	SCREW	4	9.525 X 29.580 mm (3/8" X 1.165")
4	MIA12529	GASOLINE ENGINE	1	MARKED FS651V-ES05R; Kawasaki
5	19M7865	SCREW	3	M8 X 16
6	M162896	GUARD	1	Fuel Line
7	M155077	CLAMP	1	
8	AM140333	ACCELERATOR	1	Throttle Assembly
9	AM147573	CLAMP	1	Assembly, Double Tube
10	37M7510	SCREW	4	M6 X 16
11	M136651	GASKET	2	

<https://www.ebooklibonline.com>

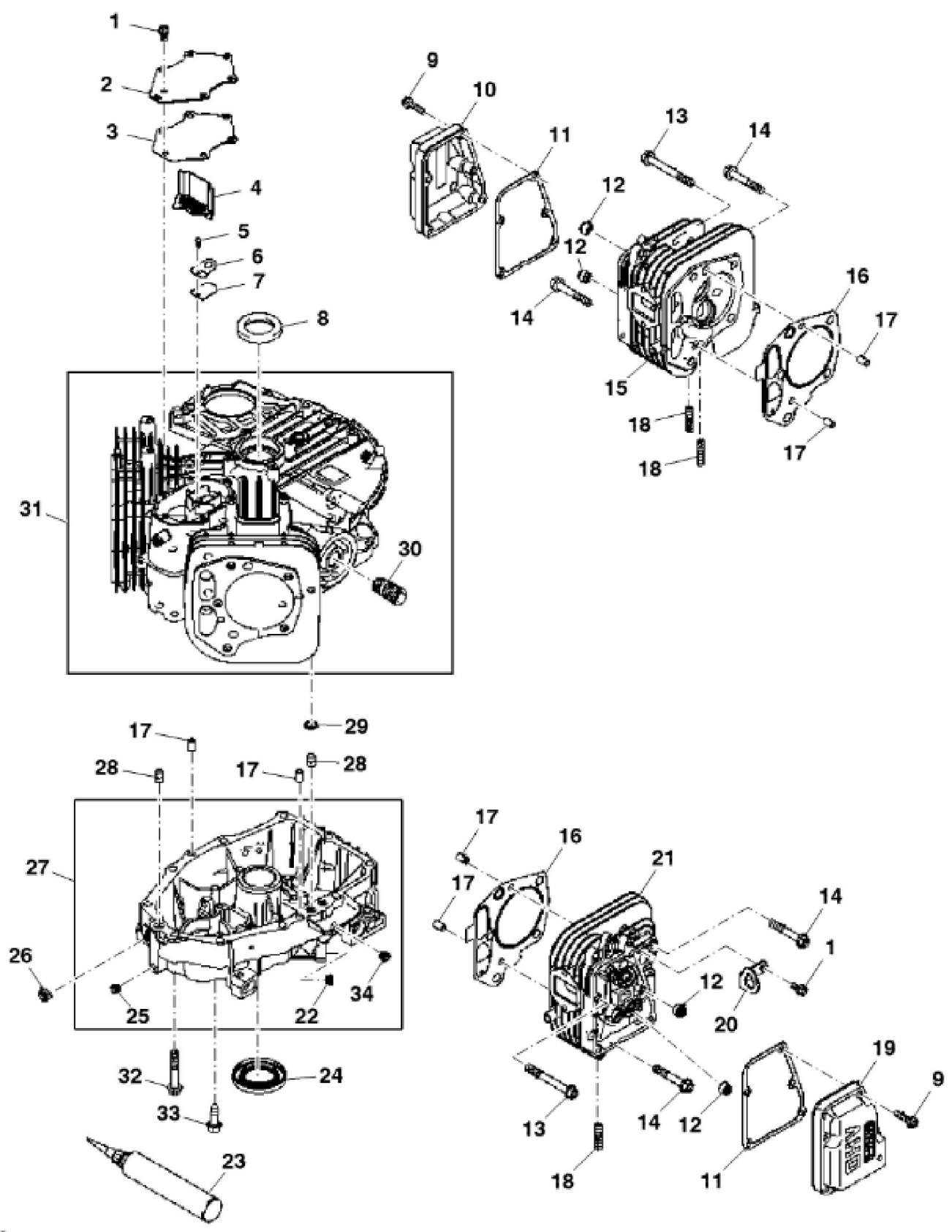
Hello dear friend!

Thank you very much for reading.

Enter the link into your browser.

The full manual is available for immediate download.

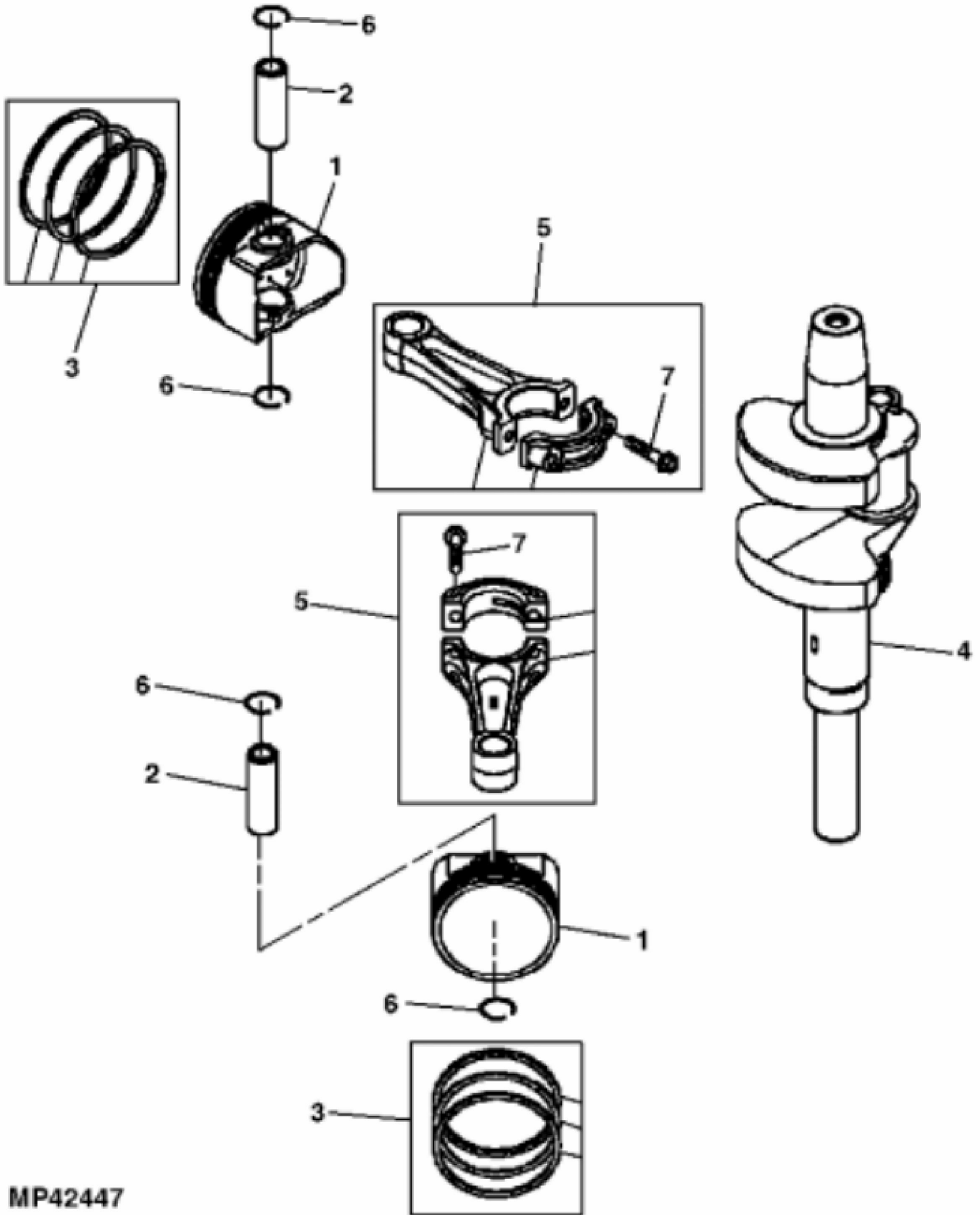
<https://www.ebooklibonline.com>



PU12633

John Deere > Turf And Utility >TRACTOR, LAWN AND GARDEN >X380 - TRACTOR, LAWN AND GARDEN >X380 Lawn and Garden Tractor >20 ENGINE MM18194, MM18198 >ST853478 - CYLINDER HEAD AND CRANKCASE

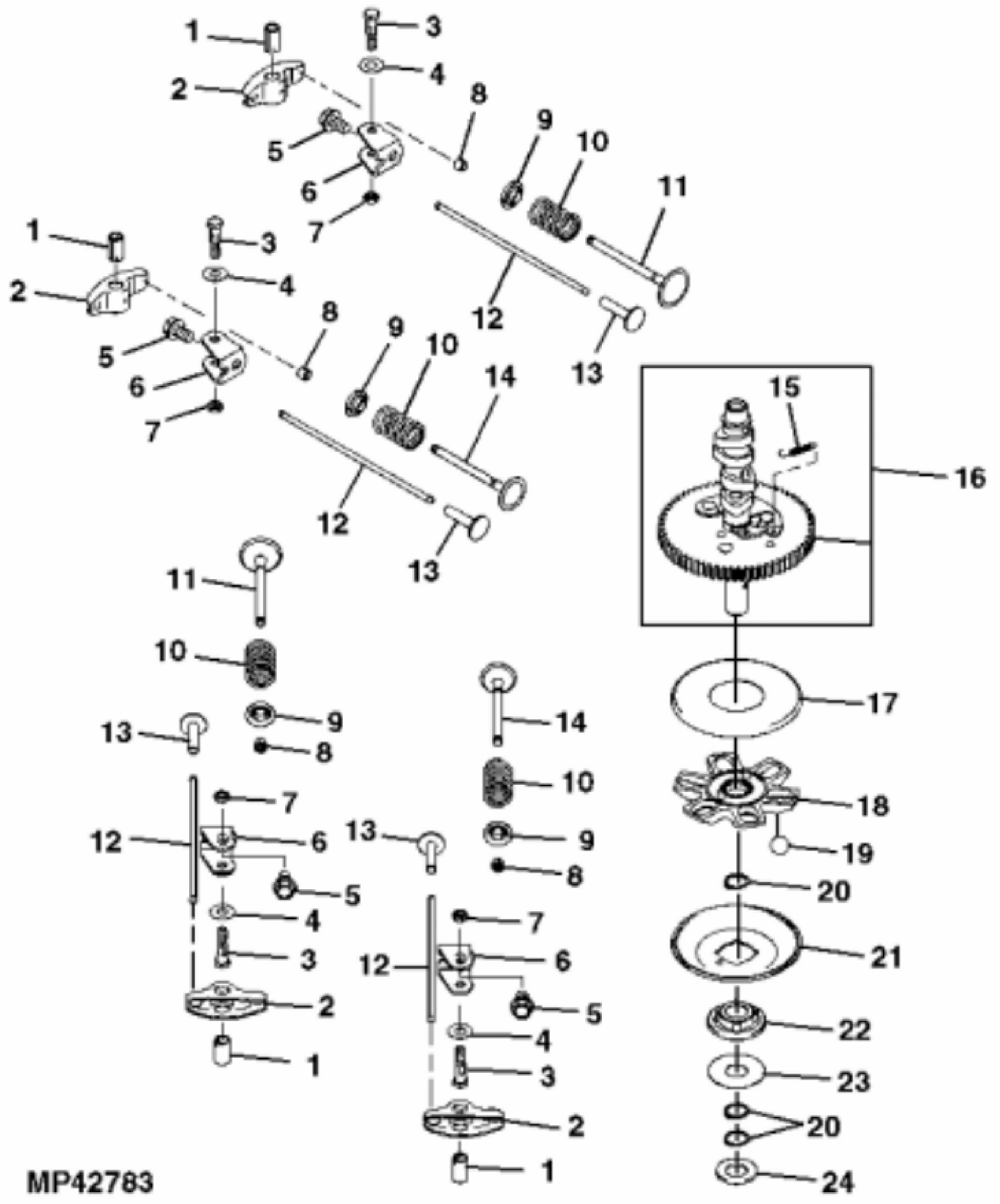
KEY	PART NO.	PART NAME	QTY	REMARKS
1	MIU11325	BOLT	7	
2	MIU12397	COVER	1	Breather
3	MIU12395	GASKET	1	Breather
4	MIU12398	PIPE	1	
5	21M7244	SCREW	1	M4 X 8
6	MIU13821	PLATE	1	
7	MIU11769	VALVE	1	Breather
8	M149281	SEAL	1	
9	19M7863	SCREW	10	M6 X 25
10	MIU13778	CASE	1	Rocker No.1
11	MIU12394	GASKET	2	Rocker Case
12	M138389	SEAL	4	
13	MIU12209	BOLT	6	
14	MIU11776	BOLT	4	
15	MIU12390	CYLINDER HEAD	1	No. 1
16	MIU12396	ENGINE CYLINDER HEAD GASKET	2	
17	M74252	PIN	6	
18	MIU12726	STUD	4	
19	MIU14499	COVER	1	
20	MIU13780	HOOK	1	Lift
21	MIU12391	CYLINDER HEAD	1	No. 2
22	MIU14001	PLUG	1	
23	M64850	SEALANT	AR	
24	MIU12400	SEAL	1	
25	MIU12401	PLUG	1	
26	M151774	SEAL	1	
27	MIA12754	CRANKCASE	1	
28	MIU14507	PIPE	3	
29	M76104	O-RING	2	
30	MIU13767	ADAPTER FITTING	1	
31	MIA12337	CRANKCASE	1	
32	19M8319	SCREW	10	M8 X 50
33	GX24210	SCREW	4	
34	M123645	DRAIN PLUG	1	



MP42447

John Deere > Turf And Utility >TRACTOR, LAWN AND GARDEN >X380 - TRACTOR, LAWN AND GARDEN >X380 Lawn and Garden Tractor >20 ENGINE MM18194, MM18198 >ST853485 - PISTON / CRANKSHAFT

KEY	PART NO.	PART NAME	QTY	REMARKS	
1	MIU12403	PISTON	2	STD	
2	MIU13270	PISTON PIN	2		
3	MIU12405	PISTON RING KIT	2	STD	
4	MIU13077	CRANKSHAFT	1		
5	MIA11615	CONNECTING ROD	2		
6	MIU12408	SNAP RING	4		
7	M146763	BOLT	2		



MP42783



Suggest:

For more complete manuals. Please go to the home page.

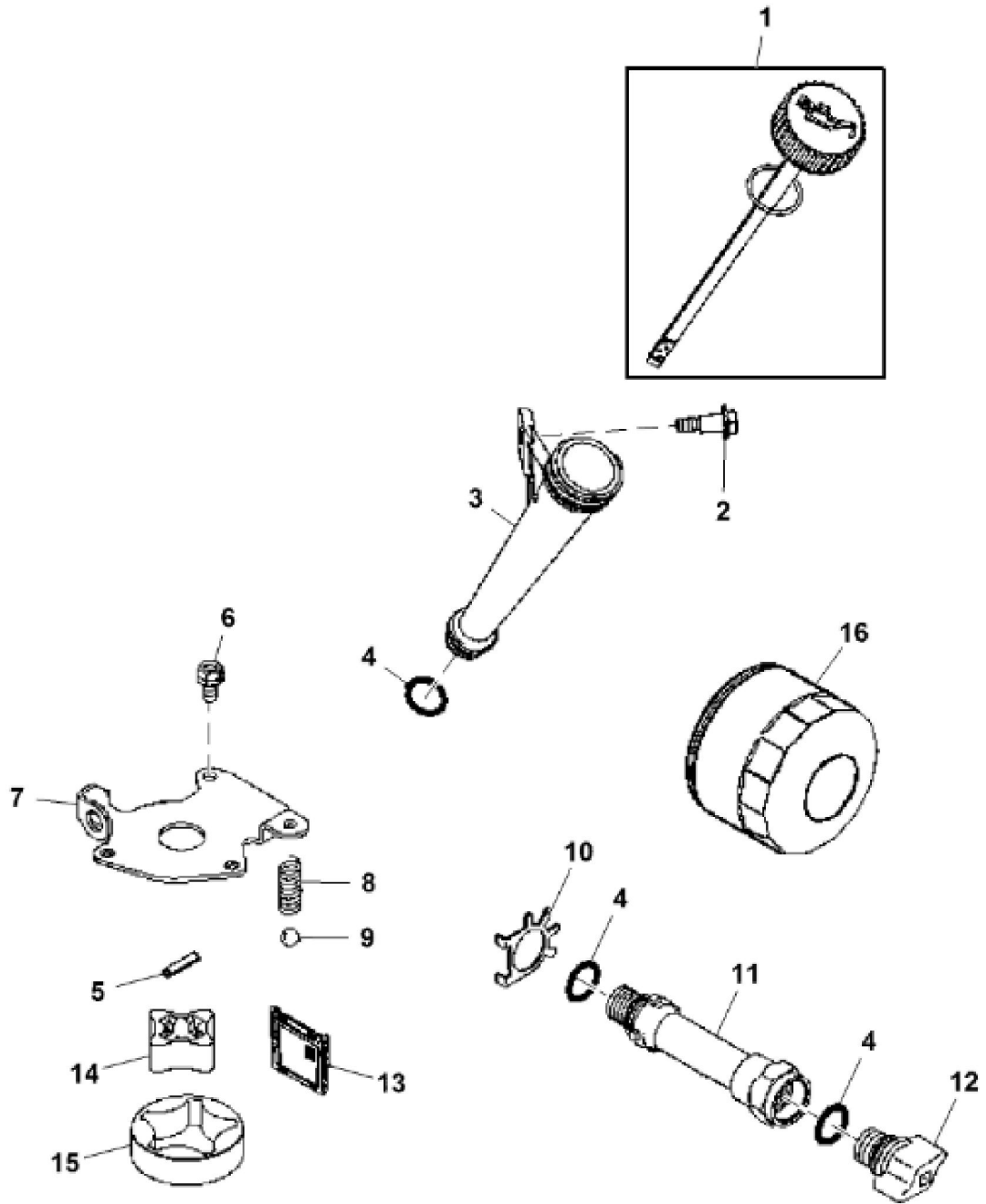
<https://www.ebooklibonline.com>

If the above button click is invalid. Please download this document first, and then click the above link to download the complete manual.

Thank you so much for reading

John Deere > Turf And Utility >TRACTOR, LAWN AND GARDEN >X380 - TRACTOR, LAWN AND GARDEN >X380 Lawn and Garden Tractor >20 ENGINE MM18194, MM18198 >ST853486 - CAMSHAFT AND VALVES

KEY	PART NO.	PART NAME	QTY	REMARKS
1	MIU13989	SLEEVE	4	
2	MIU14434	ROCKER ARM	4	
3	MIU11795	BOLT	4	
4	M147320	WASHER	4	
5	MIU11744	BOLT	4	
6	MIU11783	BRACKET	4	
7	14M7272	NUT	4	M6
8	M118845	RETAINER	8	
9	M138401	RETAINER	4	
10	M140241	SPRING	4	
11	MIU14406	INTAKE VALVE	2	
12	MIU14485	ROD	4	
13	M138403	TAPPET	4	
14	MIU14407	EXHAUST VALVE	2	
15	M138413	EXTENSION SPRING	1	
16	MIA11616	CAMSHAFT	1	
17	M140240	PLATE	1	
18	MIU12411	GUIDE	1	
19	MIU10971	BALL	6	
20	MIU14000	SNAP RING	3	
21	M146880	PLATE	1	
22	MIU13044	SLEEVE	1	
23	M146882	WASHER	1	
24	MIU12413	WASHER	1	



MX279862

<https://www.ebooklibonline.com>

Hello dear friend!

Thank you very much for reading.

Enter the link into your browser.

The full manual is available for immediate download.

<https://www.ebooklibonline.com>