

PU20812

KEY	PART NO.	PART NAME	QTY	REMARKS
1	H77698	TIE BAND	1	
2	M155077	CLAMP	1	
3	GX24210	SCREW	4	9.525 X 29.580 mm (3/8" X 1.165")
4	MIA12531	GASOLINE ENGINE	1	MARKED FS600V-BS21R; Kawasaki
5	N309660	LOCK NUT	1	6.350 mm (1/4")
6	19M7865	SCREW	3	M8 X 16
7	M161292	GUARD	1	Fuel Line
8	AM140333	ACCELERATOR	1	Throttle Assembly
9	AM147573	CLAMP	1	Assembly, Double Tube
10	37M7510	SCREW	4	M6 X 16
11	M136651	GASKET	2	

<https://www.ebooklibonline.com>

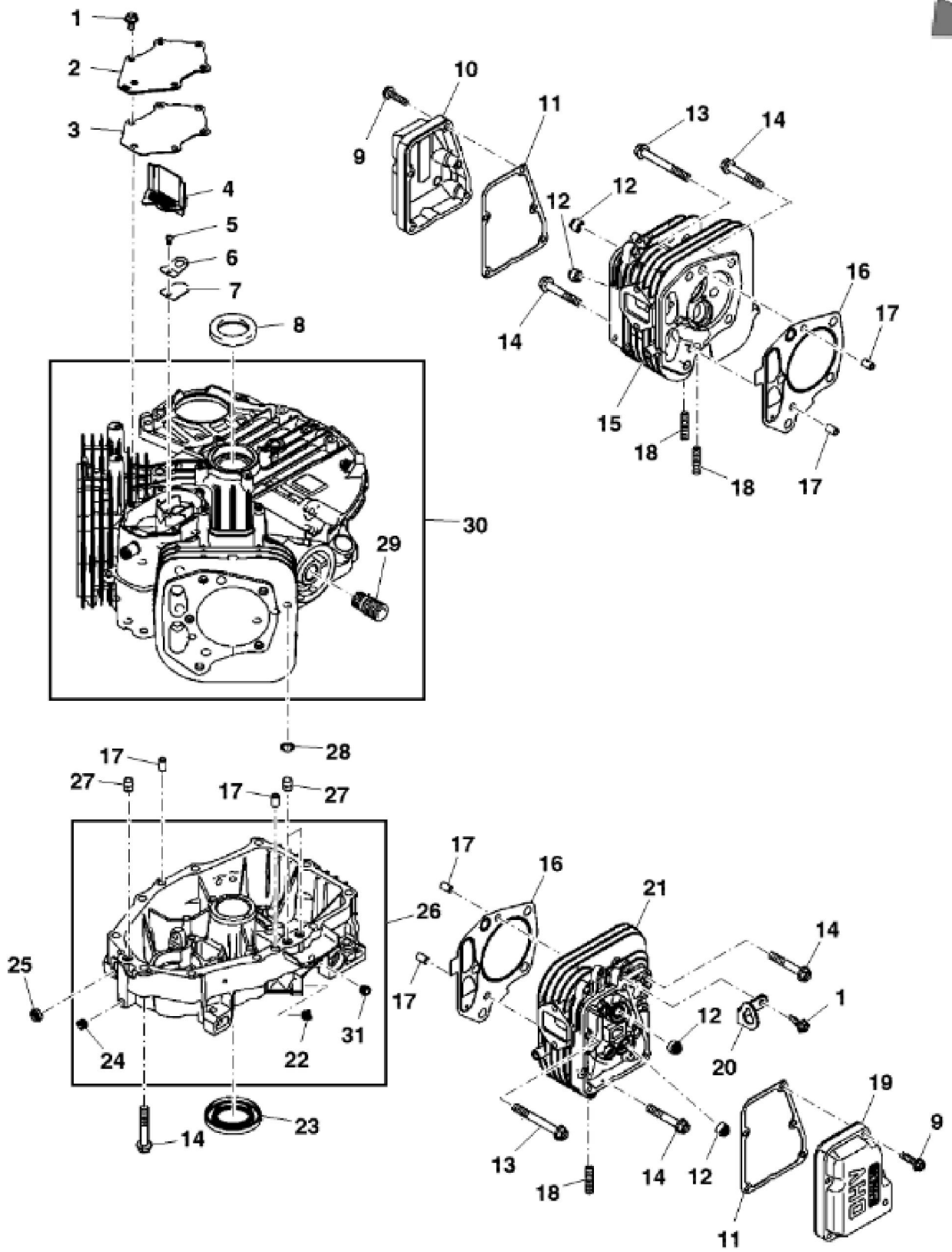
Hello dear friend!

Thank you very much for reading.

Enter the link into your browser.

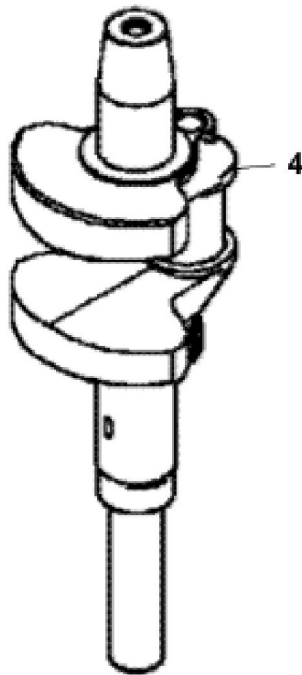
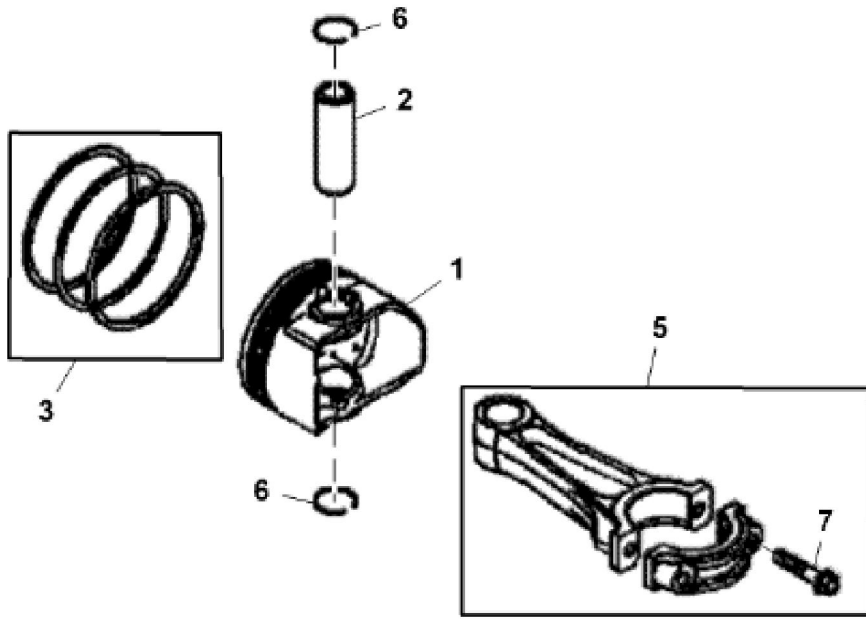
The full manual is available for immediate download.

<https://www.ebooklibonline.com>



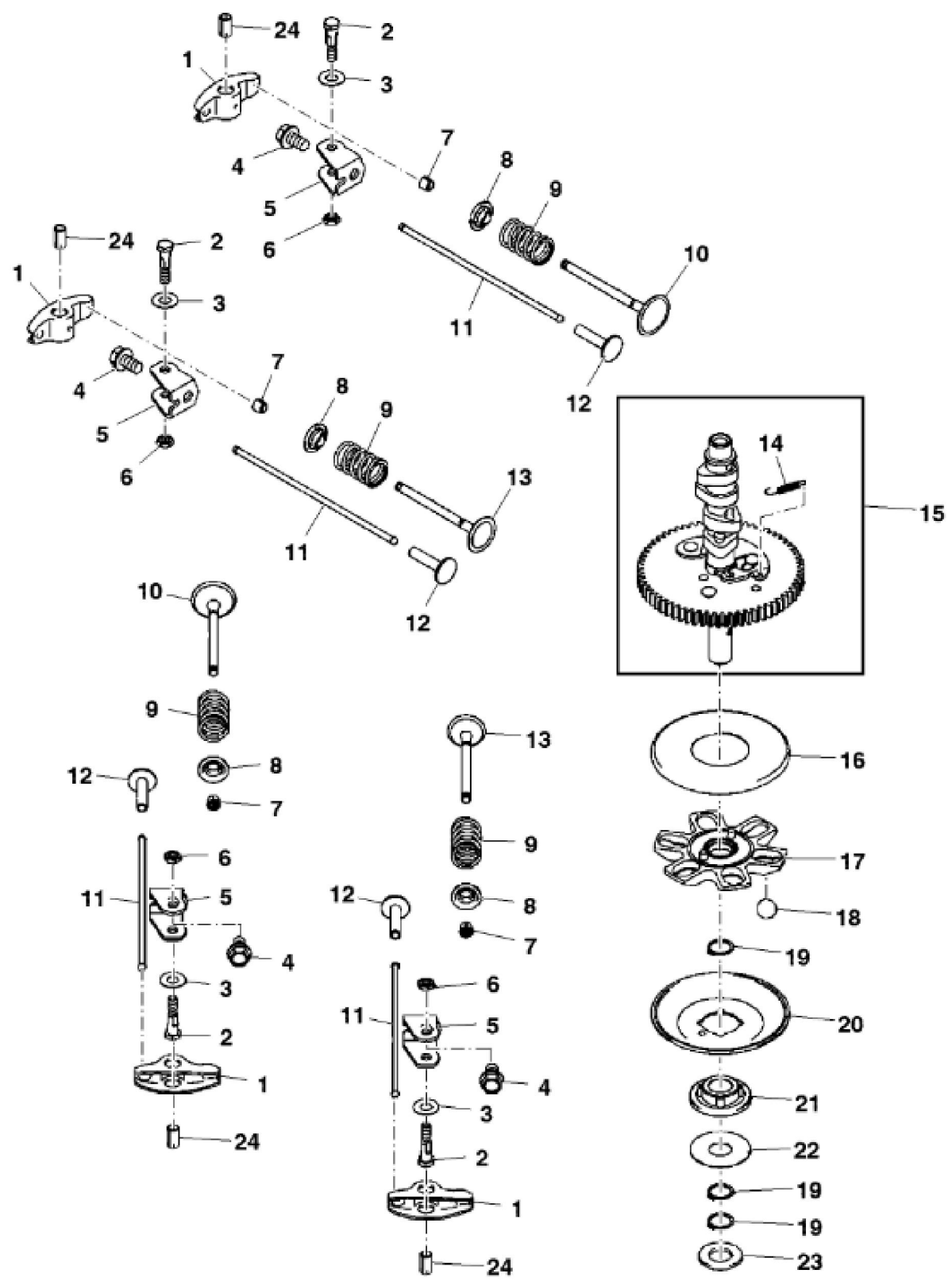
John Deere > Turf And Utility >TRACTOR, LAWN AND GARDEN >X370 - TRACTOR, LAWN AND GARDEN >X370 Lawn and Garden Tractor >20 ENGINE, FS600V-BS21R MM18192 >ST853446 - CYLINDER HEAD / CRANKCASE

KEY	PART NO.	PART NAME	QTY	REMARKS
1	MIU11325	BOLT	7	
2	MIU12397	COVER	1	Breather
3	MIU12395	GASKET	1	Breather
4	MIU12398	PIPE	1	Breather
5	21M7244	SCREW	3	M4 X 8
6	MIU13821	PLATE	1	
7	MIU11769	VALVE	1	Breather
8	M149281	SEAL	1	
9	19M7863	SCREW	10	M6 X 25
10	MIU13778	CASE	1	Rocker No. 1
11	MIU12394	GASKET	2	Rocker Case
12	M138389	SEAL	4	
13	19M7803	SCREW	6	M8 X 70
14	19M8319	SCREW	14	M8 X 50
15	MIU12516	CYLINDER HEAD	1	No. 1
16	MIU12515	GASKET	2	Head
17	M74252	PIN	6	
18	MIU12726	STUD	4	
19	MIU14499	COVER	1	Rocker
20	MIU13780	HOOK	1	Lift
21	MIU12517	CYLINDER HEAD	1	No. 2
22	MIU14001	PLUG	1	
23	MIU12400	SEAL	1	
24	MIU12401	PLUG	1	
25	M151774	SEAL	1	
26	MIA12753	CRANKCASE	1	Cover
27	MIU14507	PIPE	3	
28	M76104	O-RING	2	
29	MIU13767	ADAPTER FITTING	1	
30	MIA12356	CRANKCASE	1	Component
31	M123645	DRAIN PLUG	1	



John Deere > Turf And Utility >TRACTOR, LAWN AND GARDEN >X370 - TRACTOR, LAWN AND GARDEN >X370 Lawn and Garden Tractor >20 ENGINE, FS600V-BS21R MM18192 >ST853445 - PISTON / CRANKSHAFT

KEY	PART NO.	PART NAME	QTY	REMARKS	
1	MIU12518	PISTON	2		
1	MIU12523	PISTON	1	0.50 mm	
2	M138397	PISTON PIN	2		
3	MIU12521	PISTON RING KIT	2		
3	MIU12522	PISTON RING	1	0.50 mm	
4	MIU14401	CRANKSHAFT	1		
5	MIA11690	CONNECTING ROD	2		
6	M138398	SNAP RING	4		
7	M146763	BOLT	4	Connecting Rod	



GU21327A04



Suggest:

For more complete manuals. Please go to the home page.

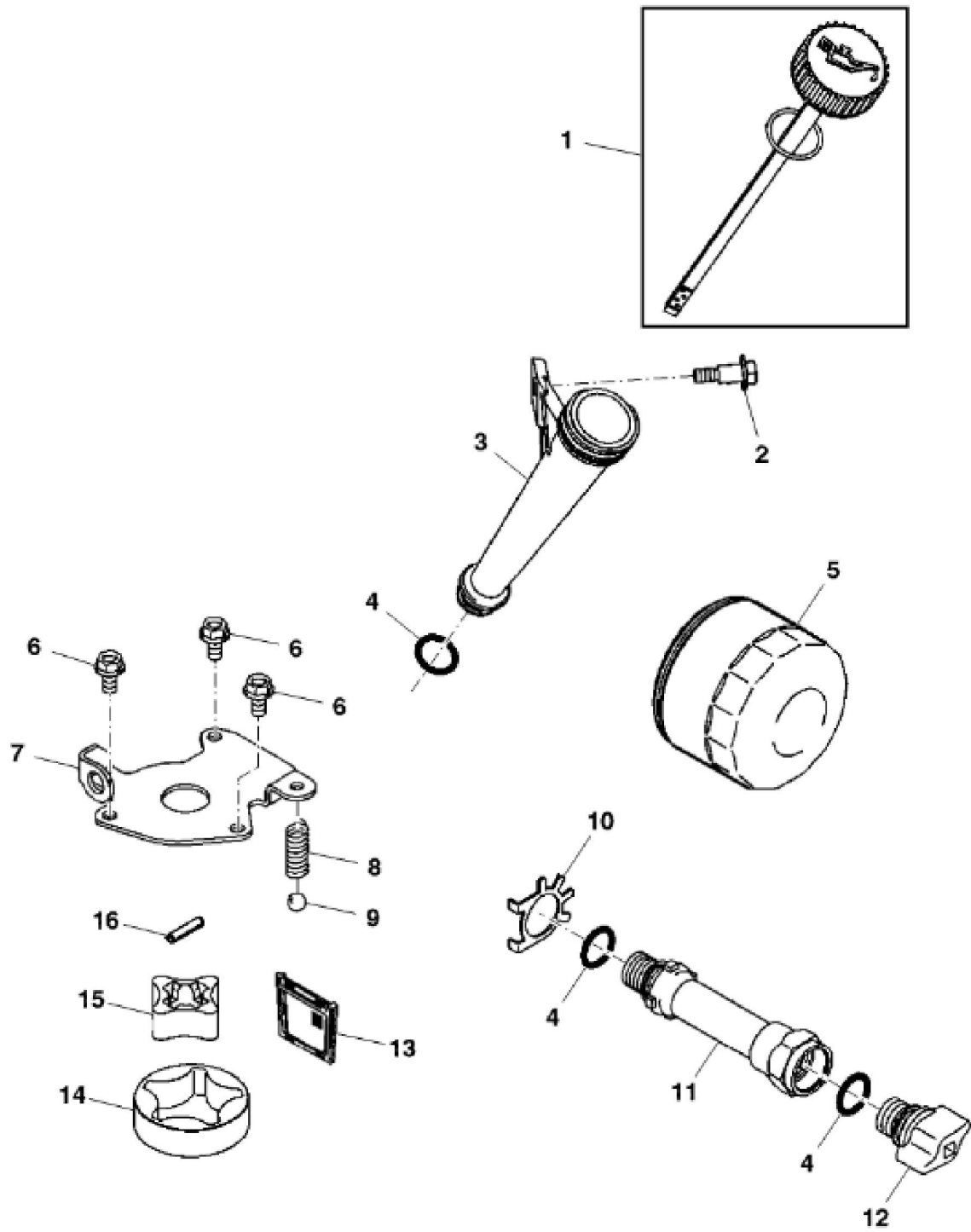
<https://www.ebooklibonline.com>

If the above button click is invalid. Please download this document first, and then click the above link to download the complete manual.

Thank you so much for reading

John Deere > Turf And Utility >TRACTOR, LAWN AND GARDEN >X370 - TRACTOR, LAWN AND GARDEN >X370 Lawn and Garden Tractor >20 ENGINE, FS600V-BS21R MM18192 >ST853444 - CAMSHAFT / VALVES

KEY	PART NO.	PART NAME	QTY	REMARKS
1	MIU14434	ROCKER ARM	4	
2	MIU11795	BOLT	4	
3	M147320	WASHER	4	
4	MIU11744	BOLT	4	
5	MIU11783	BRACKET	4	
6	14M7272	NUT	4	M6
7	M118845	RETAINER	8	
8	M138401	RETAINER	4	Valve Spring
9	M140241	SPRING	4	Engine Valve
10	MIU12525	INTAKE VALVE	2	
11	MIU12527	PUSH ROD	4	
12	M138403	TAPPET	4	
13	MIU12526	EXHAUST VALVE	2	
14	M138413	EXTENSION SPRING	1	
15	MIA11691	CAMSHAFT	1	
16	M140240	PLATE	1	
17	MIU12411	GUIDE	1	Governor
18	MIU10971	BALL	6	
19	MIU14000	SNAP RING	3	
20	M146880	PLATE	1	
21	MIU13044	SLEEVE	1	
22	M146882	WASHER	1	
23	MIU12413	WASHER	1	
24	MIU13989	SLEEVE	4	



GU21327A05

<https://www.ebooklibonline.com>

Hello dear friend!

Thank you very much for reading.

Enter the link into your browser.

The full manual is available for immediate download.

<https://www.ebooklibonline.com>