

PU20812

| KEY | PART NO. | PART NAME | QTY | REMARKS |
|-----|----------|-----------------|-----|-----------------------------------|
| 1 | H77698 | TIE BAND | 1 | |
| 2 | M155077 | CLAMP | 1 | |
| 3 | GX24210 | SCREW | 4 | 9.525 X 29.580 mm (3/8" X 1.165") |
| 4 | MIA12531 | GASOLINE ENGINE | 1 | MARKED FS600V-BS21R; Kawasaki |
| 5 | N309660 | LOCK NUT | 1 | 6.350 mm (1/4") |
| 6 | 19M7865 | SCREW | 3 | M8 X 16 |
| 7 | M161292 | GUARD | 1 | Fuel Line |
| 8 | AM140333 | ACCELERATOR | 1 | Throttle Assembly |
| 9 | AM147573 | CLAMP | 1 | Assembly, Double Tube |
| 10 | 37M7510 | SCREW | 4 | M6 X 16 |
| 11 | M136651 | GASKET | 2 | |

<https://www.ebooklibonline.com>

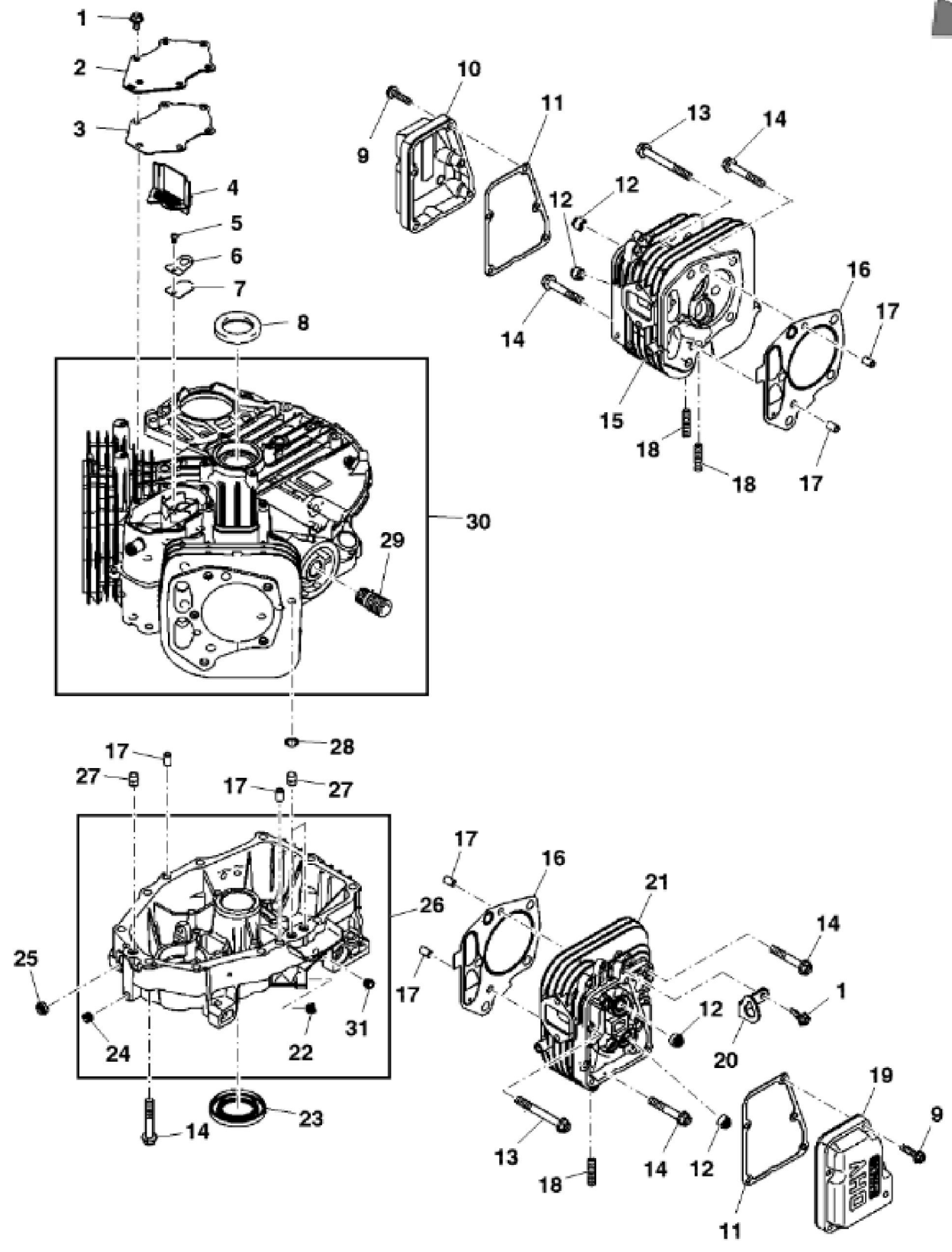
Hello dear friend!

Thank you very much for reading.

Enter the link into your browser.

The full manual is available for immediate download.

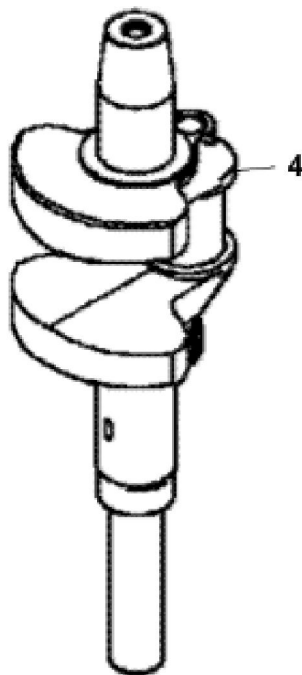
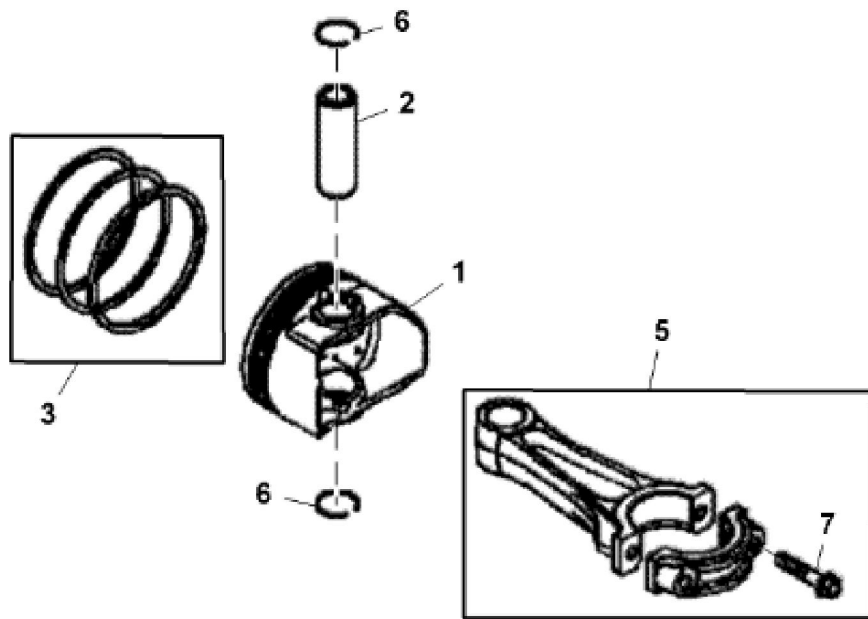
<https://www.ebooklibonline.com>



GU21327A02

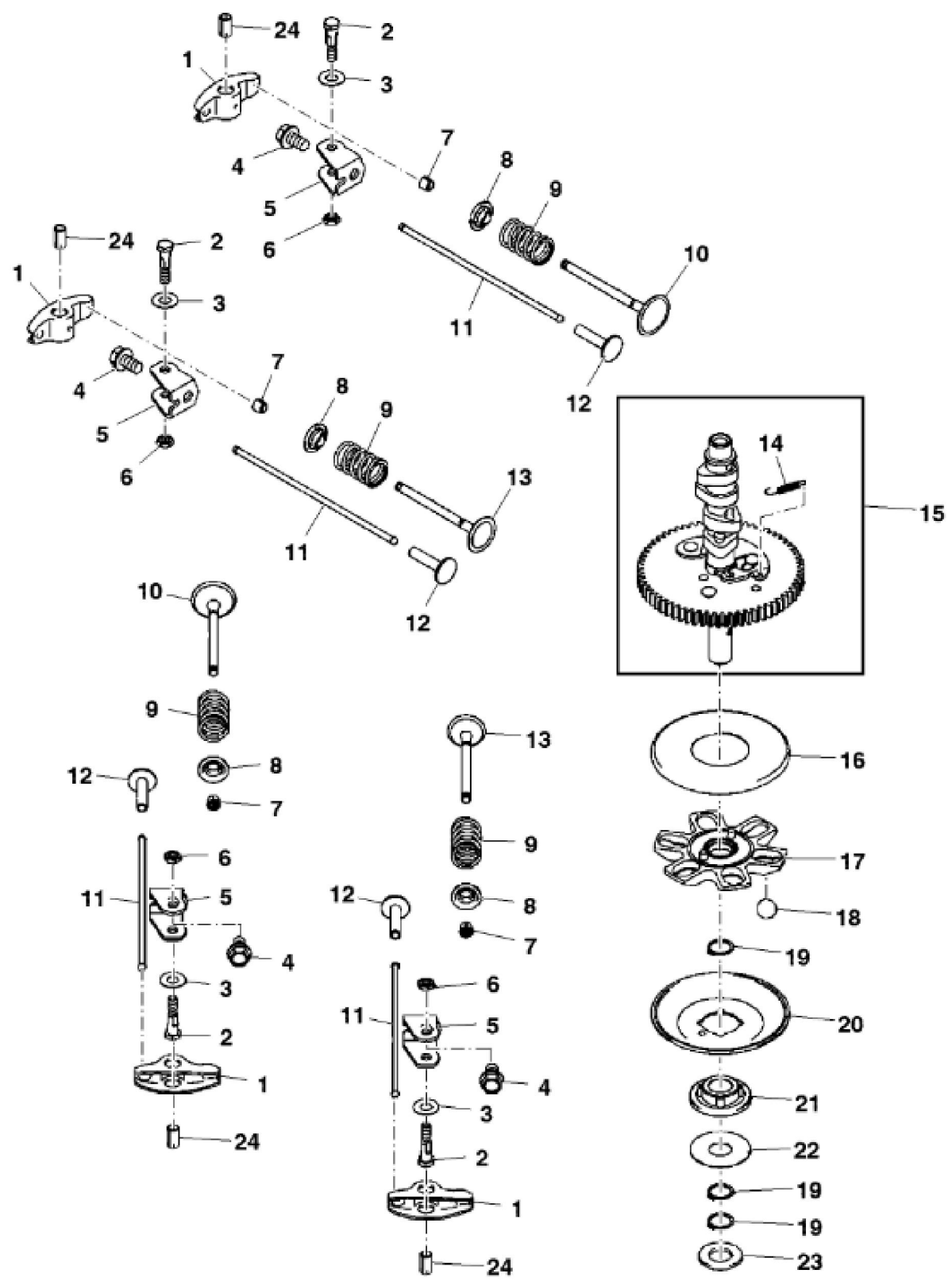
John Deere > Turf And Utility >TRACTOR, LAWN AND GARDEN >X354 - TRACTOR, LAWN AND GARDEN >X354 Lawn and Garden Tractor >20 ENGINE, FS600V-BS21R MM18192 >ST853446 - CYLINDER HEAD / CRANKCASE

| KEY | PART NO. | PART NAME | QTY | REMARKS |
|-----|----------|-----------------|-----|--------------|
| 1 | MIU11325 | BOLT | 7 | |
| 2 | MIU12397 | COVER | 1 | Breather |
| 3 | MIU12395 | GASKET | 1 | Breather |
| 4 | MIU12398 | PIPE | 1 | Breather |
| 5 | 21M7244 | SCREW | 3 | M4 X 8 |
| 6 | MIU13821 | PLATE | 1 | |
| 7 | MIU11769 | VALVE | 1 | Breather |
| 8 | M149281 | SEAL | 1 | |
| 9 | 19M7863 | SCREW | 10 | M6 X 25 |
| 10 | MIU13778 | CASE | 1 | Rocker No. 1 |
| 11 | MIU12394 | GASKET | 2 | Rocker Case |
| 12 | M138389 | SEAL | 4 | |
| 13 | 19M7803 | SCREW | 6 | M8 X 70 |
| 14 | 19M8319 | SCREW | 14 | M8 X 50 |
| 15 | MIU12516 | CYLINDER HEAD | 1 | No. 1 |
| 16 | MIU12515 | GASKET | 2 | Head |
| 17 | M74252 | PIN | 6 | |
| 18 | MIU12726 | STUD | 4 | |
| 19 | MIU14499 | COVER | 1 | Rocker |
| 20 | MIU13780 | HOOK | 1 | Lift |
| 21 | MIU12517 | CYLINDER HEAD | 1 | No. 2 |
| 22 | MIU14001 | PLUG | 1 | |
| 23 | MIU12400 | SEAL | 1 | |
| 24 | MIU12401 | PLUG | 1 | |
| 25 | M151774 | SEAL | 1 | |
| 26 | MIA12753 | CRANKCASE | 1 | Cover |
| 27 | MIU14507 | PIPE | 3 | |
| 28 | M76104 | O-RING | 2 | |
| 29 | MIU13767 | ADAPTER FITTING | 1 | |
| 30 | MIA12356 | CRANKCASE | 1 | Component |
| 31 | M123645 | DRAIN PLUG | 1 | |



John Deere > Turf And Utility >TRACTOR, LAWN AND GARDEN >X354 - TRACTOR, LAWN AND GARDEN >X354 Lawn and Garden Tractor >20 ENGINE, FS600V-BS21R MM18192 >ST853445 - PISTON / CRANKSHAFT

| KEY | PART NO. | PART NAME | QTY | REMARKS | |
|-----|----------|-----------------|-----|----------------|--|
| 1 | MIU12518 | PISTON | 2 | | |
| 1 | MIU12523 | PISTON | 1 | 0.50 mm | |
| 2 | M138397 | PISTON PIN | 2 | | |
| 3 | MIU12521 | PISTON RING KIT | 2 | | |
| 3 | MIU12522 | PISTON RING | 1 | 0.50 mm | |
| 4 | MIU14401 | CRANKSHAFT | 1 | | |
| 5 | MIA11690 | CONNECTING ROD | 2 | | |
| 6 | M138398 | SNAP RING | 4 | | |
| 7 | M146763 | BOLT | 4 | Connecting Rod | |



GU21327A04



Suggest:

For more complete manuals. Please go to the home page.

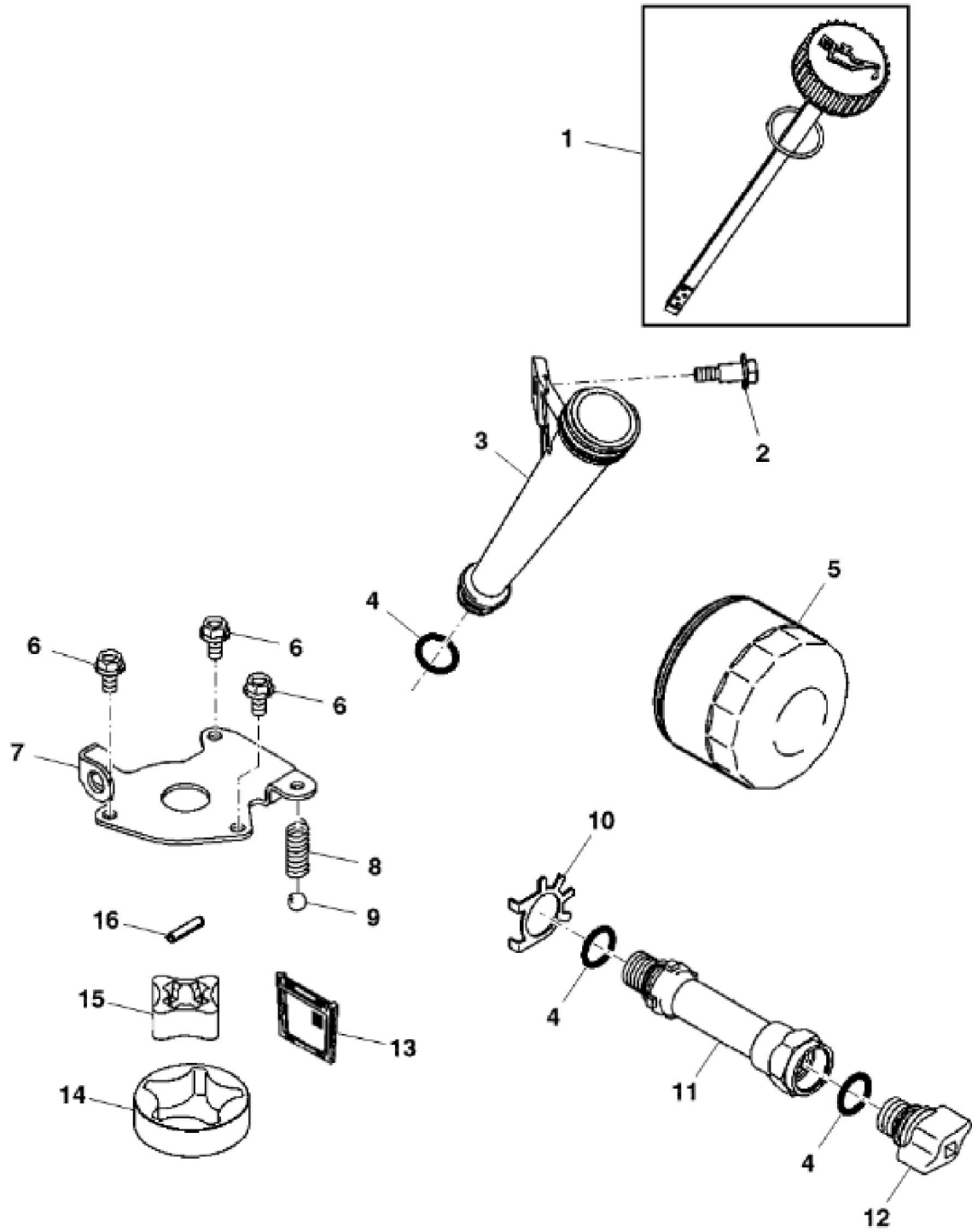
<https://www.ebooklibonline.com>

If the above button click is invalid. Please download this document first, and then click the above link to download the complete manual.

Thank you so much for reading

John Deere > Turf And Utility >TRACTOR, LAWN AND GARDEN >X354 - TRACTOR, LAWN AND GARDEN >X354 Lawn and Garden Tractor >20 ENGINE, FS600V-BS21R MM18192 >ST853444 - CAMSHAFT / VALVES

| KEY | PART NO. | PART NAME | QTY | REMARKS |
|-----|----------|------------------|-----|--------------|
| 1 | MIU14434 | ROCKER ARM | 4 | |
| 2 | MIU11795 | BOLT | 4 | |
| 3 | M147320 | WASHER | 4 | |
| 4 | MIU11744 | BOLT | 4 | |
| 5 | MIU11783 | BRACKET | 4 | |
| 6 | 14M7272 | NUT | 4 | M6 |
| 7 | M118845 | RETAINER | 8 | |
| 8 | M138401 | RETAINER | 4 | Valve Spring |
| 9 | M140241 | SPRING | 4 | Engine Valve |
| 10 | MIU12525 | INTAKE VALVE | 2 | |
| 11 | MIU12527 | PUSH ROD | 4 | |
| 12 | M138403 | TAPPET | 4 | |
| 13 | MIU12526 | EXHAUST VALVE | 2 | |
| 14 | M138413 | EXTENSION SPRING | 1 | |
| 15 | MIA11691 | CAMSHAFT | 1 | |
| 16 | M140240 | PLATE | 1 | |
| 17 | MIU12411 | GUIDE | 1 | Governor |
| 18 | MIU10971 | BALL | 6 | |
| 19 | MIU14000 | SNAP RING | 3 | |
| 20 | M146880 | PLATE | 1 | |
| 21 | MIU13044 | SLEEVE | 1 | |
| 22 | M146882 | WASHER | 1 | |
| 23 | MIU12413 | WASHER | 1 | |
| 24 | MIU13989 | SLEEVE | 4 | |



GU21327A05

<https://www.ebooklibonline.com>

Hello dear friend!

Thank you very much for reading.

Enter the link into your browser.

The full manual is available for immediate download.

<https://www.ebooklibonline.com>