

PU21970

John Deere > Turf And Utility >TRACTOR, LAWN AND GARDEN >X330 - TRACTOR, LAWN AND GARDEN >X330 Lawn and Garden Tractor >20 ENGINE MM18201 >ST843400 - ENGINE AND THROTTLE ASSEMBLY

KEY	PART NO.	PART NAME	QTY	Serial No.	REMARKS
1	MIA13123	GASOLINE ENGINE	1	____-030000	MARKED 44J677-0001-G1
1	AUC10163	GASOLINE ENGINE	1	030001-____	MARKED 44J677-0002-G1
2	GX24210	SCREW	4		
3	N309660	LOCK NUT	1		
4	AM147130	ACCELERATOR	1		Choke / Throttle Assembly
5	H77698	TIE BAND	1		Strap, Self-Locking
6	TCU28274	CLAMP	1		Clip, Coated
7	37M7510	SCREW	1		M6 X 16
8	AH76996	CLIP	1		

<https://www.ebooklibonline.com>

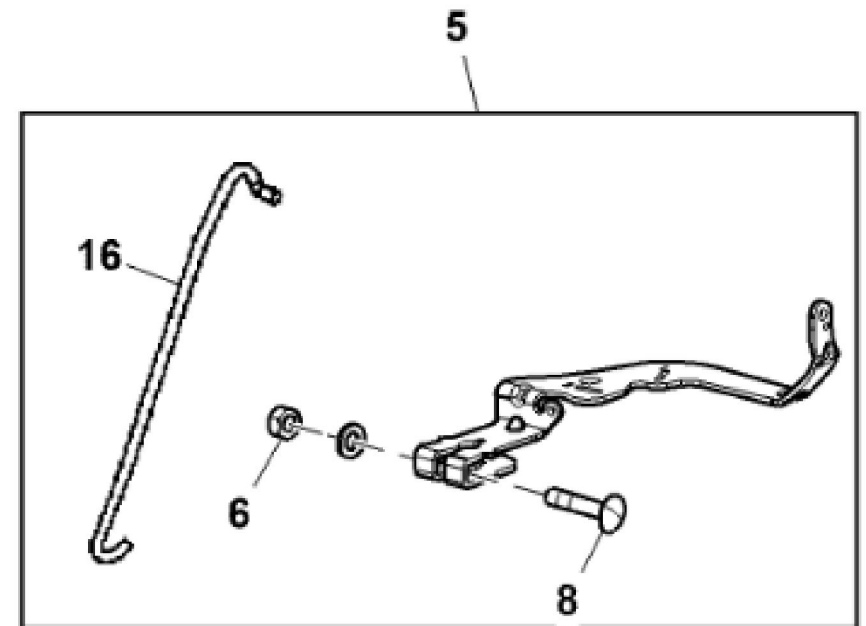
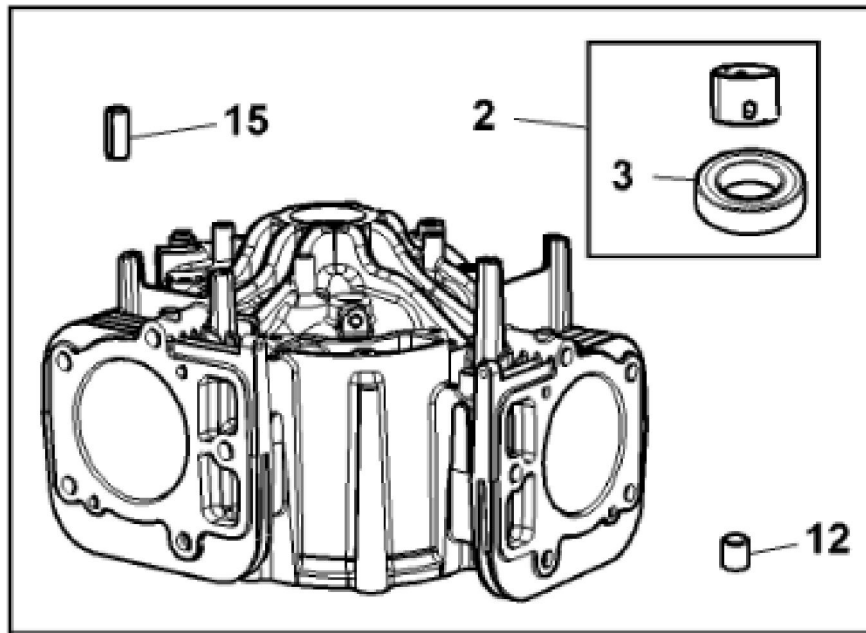
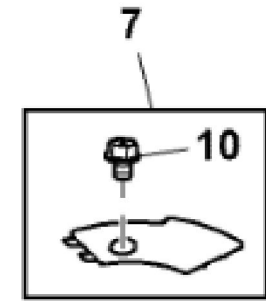
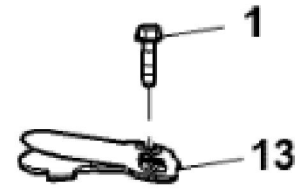
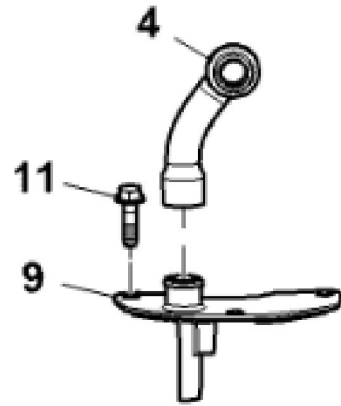
Hello dear friend!

Thank you very much for reading.

Enter the link into your browser.

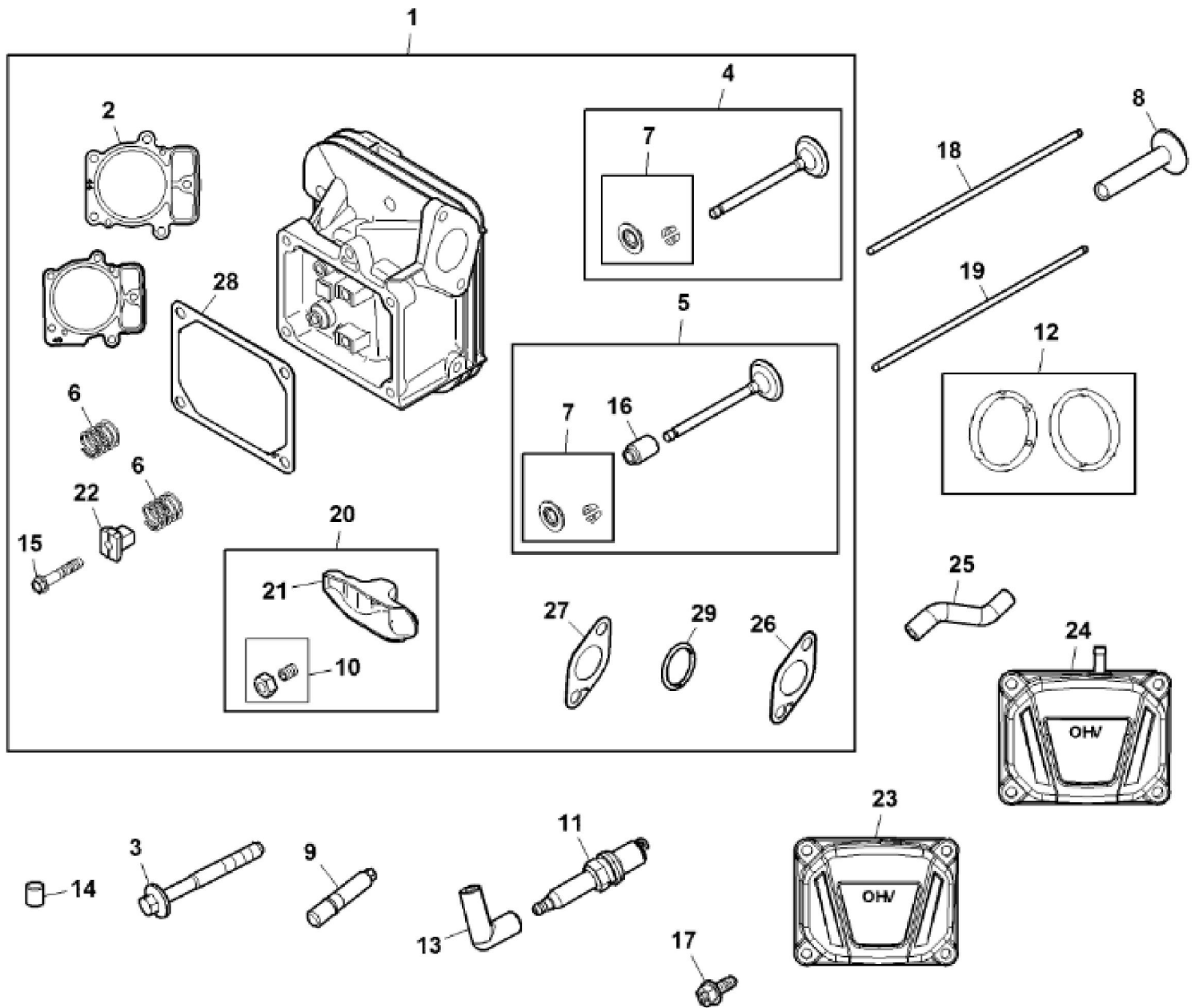
The full manual is available for immediate download.

<https://www.ebooklibonline.com>

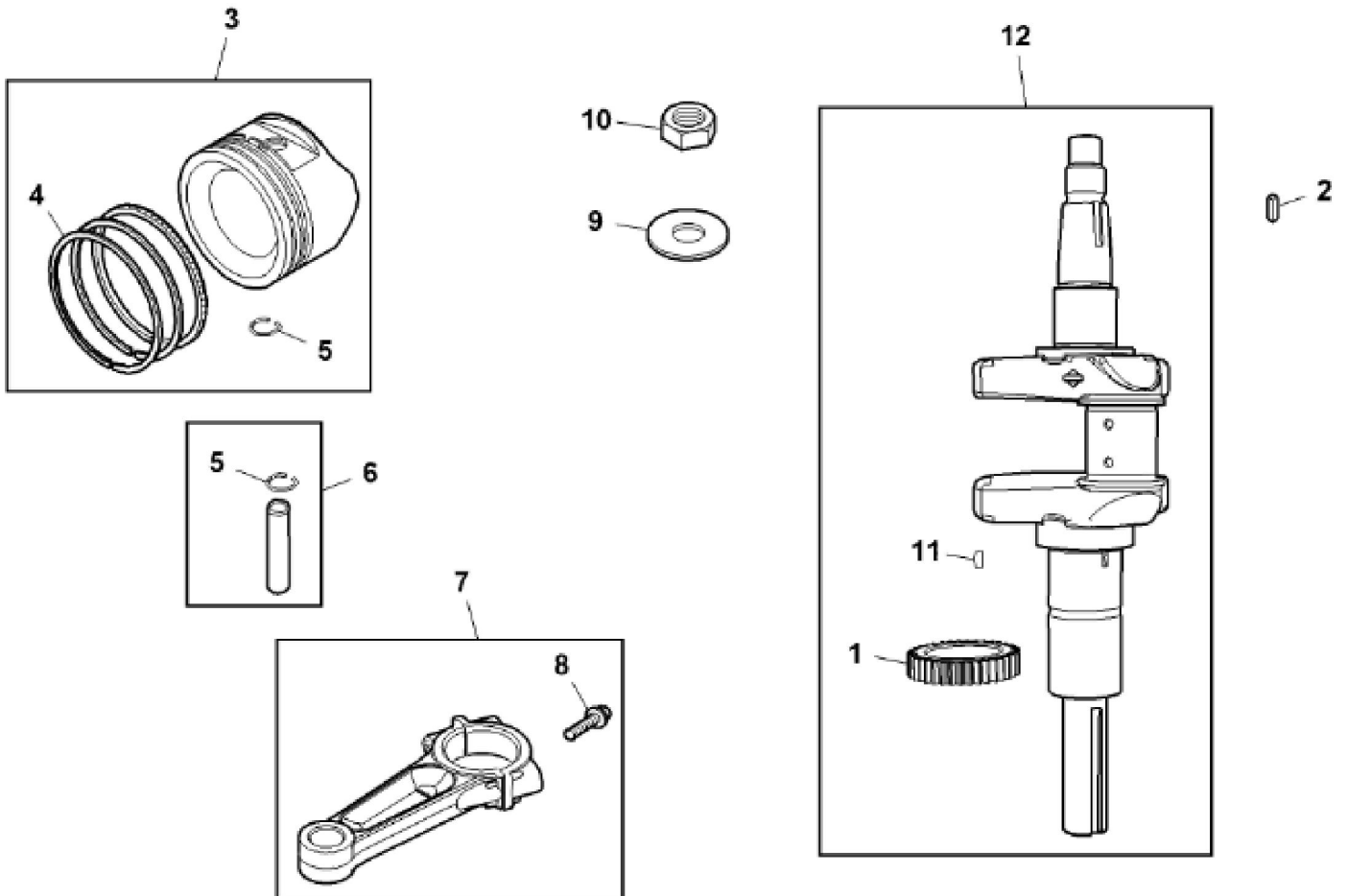


PU19140

KEY	PART NO.	PART NAME	QTY	REMARKS	
1	MIU14448	SCREW	1		
2	MIA11778	SEAL KIT	1	Bushing	
3	LG391086S	SEAL	1	Oil	
4	MIU14443	TUBE	1	Breather	
5	MIA11996	CONTROL LEVER	1	Governor	
6	M144332	NUT	1		
7	MIA13077	PLATE	1	Baffle	
8	M144626	BOLT	1		
9	MIU14444	COVER	1	Breather Passage	
10	MIU14464	SCREW	1		
11	MIU14619	SCREW	3		
12	LG690959	DOWEL PIN	4		
13	MIU14445	VALVE	1	Reed-Breather	
14	MIA13213	CYLINDER	1		
15	PIN	1		
16	M144622	LINK	1		



KEY	PART NO.	PART NAME	QTY	REMARKS
1	MIA12007	CYLINDER HEAD	1	(Cylinder No 1)
1	MIA12008	CYLINDER HEAD	1	(Cylinder No 2)
2	M142274	GASKET	1	Cylinder Head
3	MIU14366	SCREW	10	
4	MIU11451	EXHAUST VALVE	2	USE WITH MIA13123
4	MIA11171	EXHAUST VALVE	2	USE WITH AUC10163
5	MIU11452	INTAKE VALVE	2	USE WITH MIA13123
5	MIA10874	INTAKE VALVE	2	USE WITH AUC10163
6	MIU11281	SPRING	4	Valve
7	LG499586	RETAINER	4	Keeper, Valve
8	LG690977	TAPPET	4	Valve
9	MIU14396	STUD	4	
10	LG690083	ADJUSTER	4	Rocker Arm
11	MIU11020	SPARK PLUG	2	
12	MIU14392	SEAL	2	O Ring
13	LG692076	BOOT	2	Spark Plug
14	LG690959	DOWEL PIN	4	
15	M150390	SCREW	2	
16	LG690968	SEAL	4	Valve
17	LG691127	SCREW	8	
18	LG690981	PUSH ROD	2	Exhaust
19	LG690982	PUSH ROD	2	Intake
20	LG690972	ROCKER ARM	4	
21	M152423	ARM	8	Rocker
22	MIU11035	ROCKER ARM	2	Pivot
23	MIU14550	VALVE COVER	1	(Cylinder No 1) Rocker
24	MIU14551	VALVE COVER	1	(Cylinder No 2) Rocker
25	UC10233	SUCTION HOSE	1	(Cylinder No 2) Vacuum
26	LG690949	GASKET	1	Intake
27	LG690970	GASKET	1	Exhaust
28	LG690971	GASKET	1	Rocker Cover
29	LG691917	GASKET	1	





Suggest:

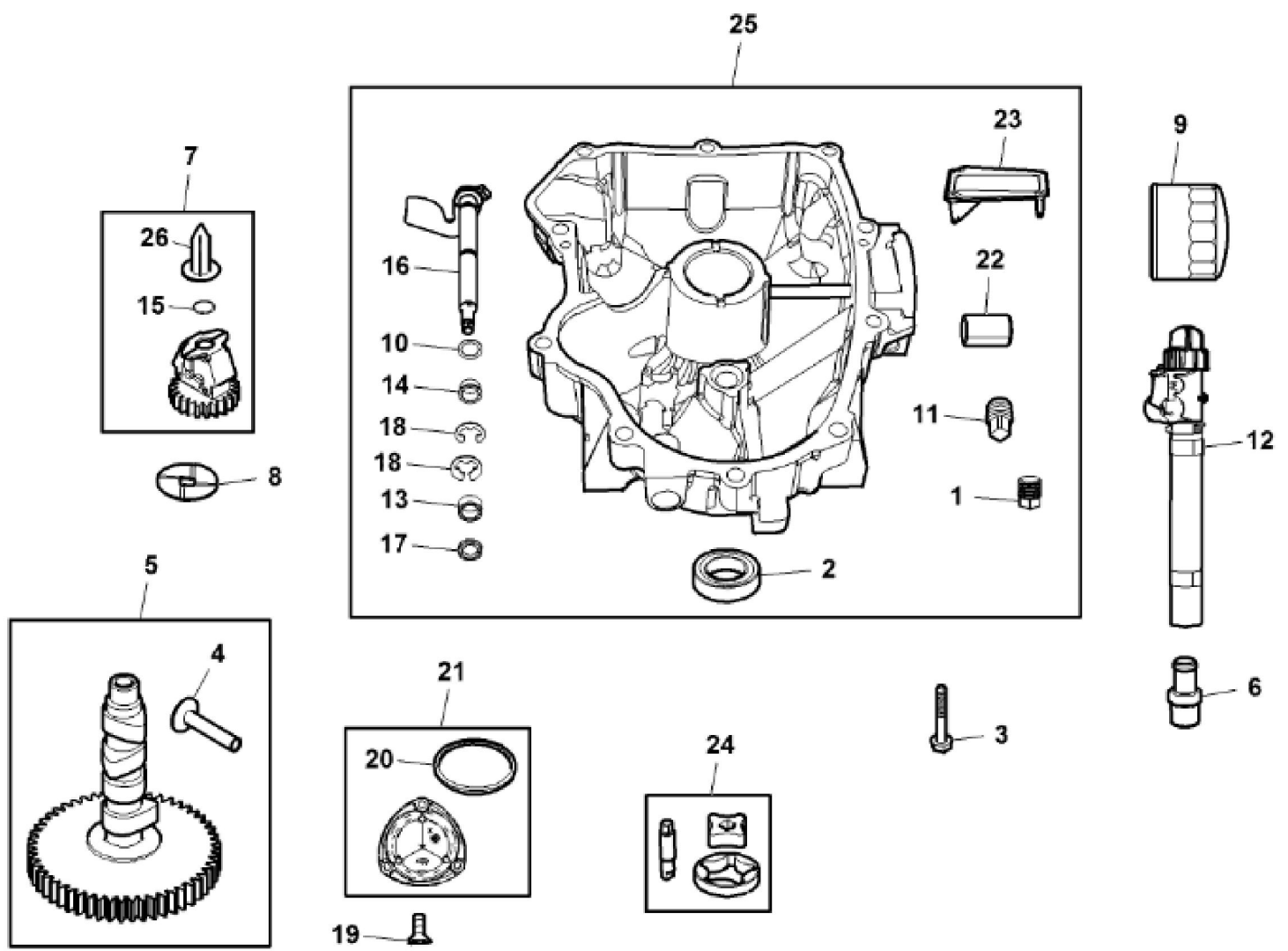
For more complete manuals. Please go to the home page.

<https://www.ebooklibonline.com>

If the above button click is invalid. Please download this document first, and then click the above link to download the complete manual.

Thank you so much for reading

KEY	PART NO.	PART NAME	QTY	REMARKS	
1	LG690980	GEAR	1	Timing	
2	LG222698S	SHAFT KEY	1	Flywheel	
3	MIA10996	PISTON	2	STD	
3	MIA11788	PISTON	2	0.020" OS	
4	MIU11282	PISTON RING KIT	2	STD	
4	MIU11283	PISTON RING KIT	2	0.020" OS	
5	LG690975	LOCK	2	Piston Pin	
6	MIA11458	PISTON PIN	2		
7	MIA11459	CONNECTING ROD	2		
8	LG690976	SCREW	4		
9	LG691056	WASHER	1	Flywheel	
10	14H810	NUT	1	7/8"	
11	26H4	SHAFT KEY	1	1/8" X 3/8", Woodruff	
12	AUC10122	CRANKSHAFT	1		



<https://www.ebooklibonline.com>

Hello dear friend!

Thank you very much for reading.

Enter the link into your browser.

The full manual is available for immediate download.

<https://www.ebooklibonline.com>