

HEAD AND CRANKCASE

KEY	PART NO.	PART NAME	QTY	Serial No.	REMARKS
1	AM133930	CRANKCASE	1		NLA; ORDER MIA10962; MARKED FH661V-AS04
1	MIA10962	CRANKCASE	1		(ENGINE MARKED FH661V-BS04, FH661V-CS04, FH661V-DS04)
2	M127431	ADAPTER FITTING	1		
3	M140222	GASKET	1	____-085000	BREATHER (SUB MIA11393)
3	MIU11731	GASKET	1	085001-____	(A)
4	M140224	COVER	1	____-085000	BREATHER (SUB MIA11393)
4	MIU11732	COVER	1	085001-____	(A)
5	MIU11325	BOLT	4	____-085000	(SUB MIA11393)
5	19M7775	SCREW	4	085001-____	M6 X 16, (A)
6	M150948	SEAL	1		
7	MIU11322	BOLT	2		
8	M138389	SEAL	4		
9	19M7320	CAP SCREW	4		M6 X 40
10	M140218	CASE	2		ROCKER
11	M140221	GASKET	2		ROCKER CASE
12	19M8319	SCREW	18		M8 X 50
13	MIA10402	CYLINDER HEAD	1		NO.1
14	M138388	PIN	6		
15	M147908	ENGINE CYLINDER HEAD GASKET	2		
16	M138395	STUD	4		NLA; ORDER MIU11736
16	MIU11736	BOLT	4		NLA; ORDER MIU12726
16	MIU12726	STUD	4		
17	M140220	GASKET	1		CRANKCASE COVER
18	AM135296	CYLINDER HEAD	1		NO.2
19	M147270	PLUG	4		NLA; ORDER MIU14001
19	MIU14001	PLUG	4		
20	M140231	SNAP RING	2		
21	M149282	SEAL	1		
22	M138392	SEAL	1		NLA; ORDER M151774
22	M151774	SEAL	1		
23	MIU11292	COVER	1		CRANKCASE (SUB FOR M150623)
24	M140223	PLATE	1		
25	M140229	VALVE	1		

<https://www.ebooklibonline.com>

Hello dear friend!

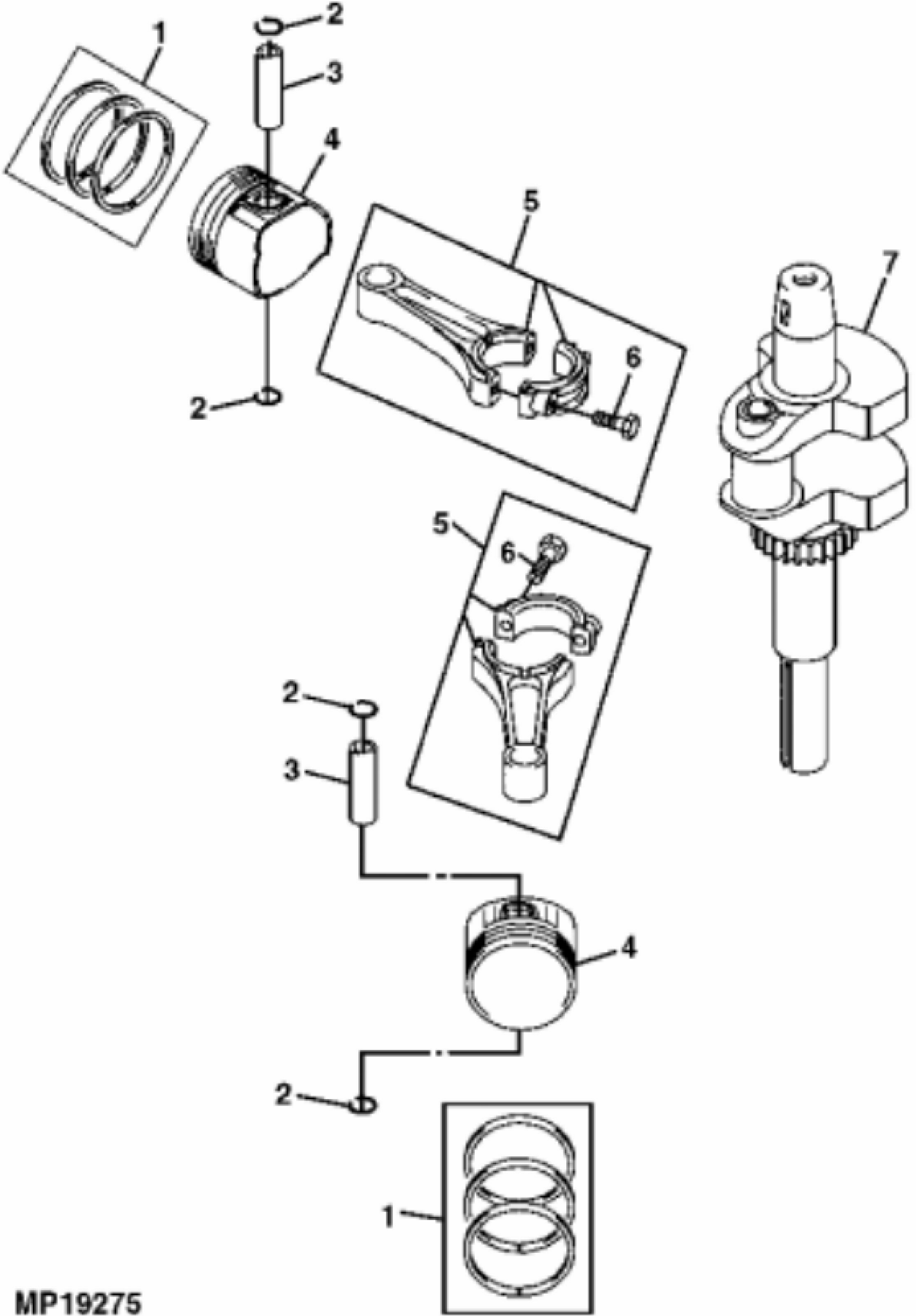
Thank you very much for reading.

Enter the link into your browser.

The full manual is available for immediate download.

<https://www.ebooklibonline.com>

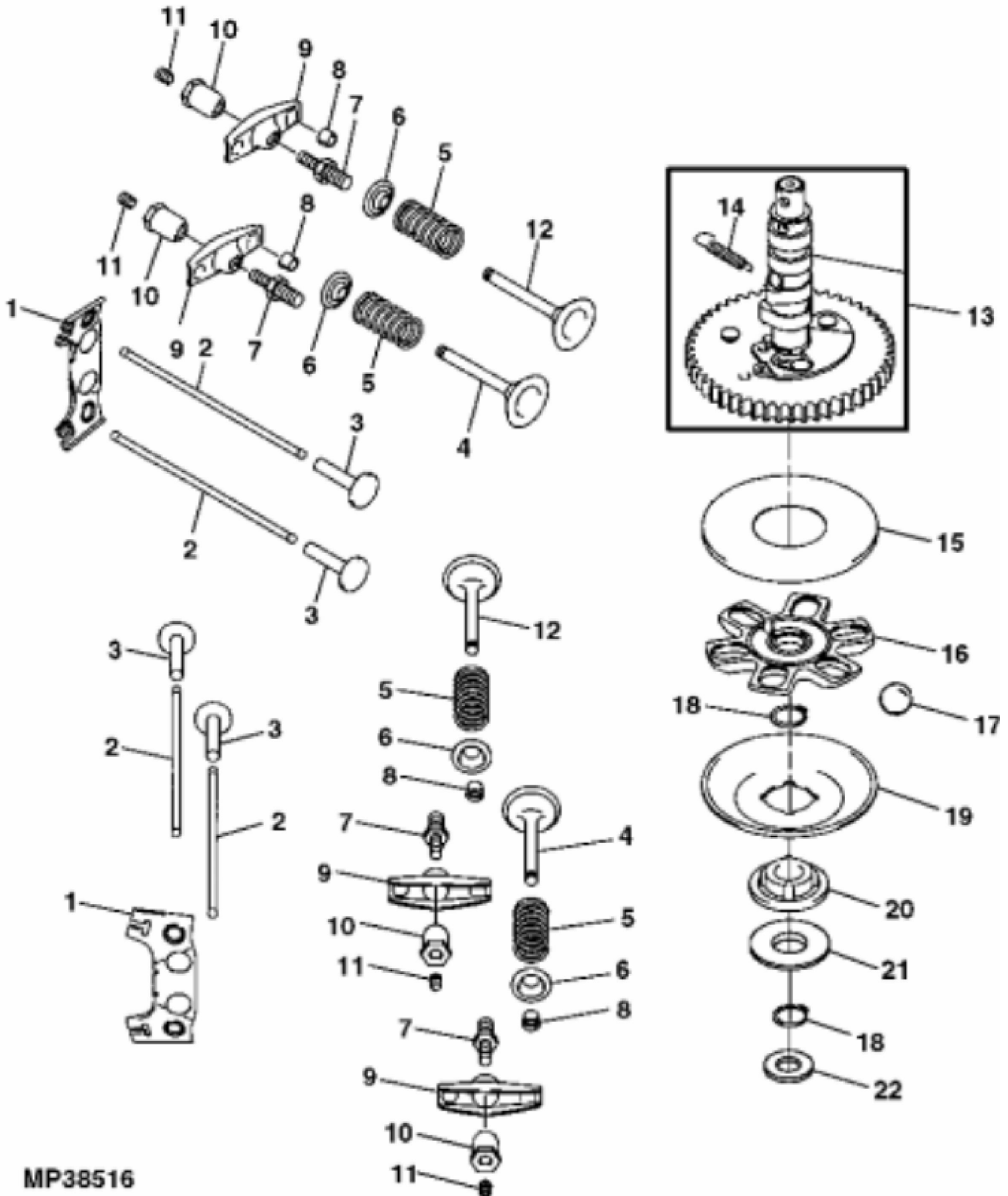
KEY	PART NO.	PART NAME	QTY	Serial No.	REMARKS
26	GC00331	SCREW	4		9.525 X 29.580 mm, NLA; ORDER GX24210; ENGINE MOUNTING
26	GX24210	SCREW	4		
27	21M7244	SCREW	1		M4 X 8
28	M141350	FILTER ELEMENT	1		NLA; ORDER MIA11393
..	AM134886	GASOLINE ENGINE	1		(MARKED FH661V-AS04)(SUB MIA11833) (ALSO ORDER AM136579)
..	MIA10519	GASOLINE ENGINE	1		(MARKED FH661V-BS04)(SUB MIA11833)
..	MIA11076	GASOLINE ENGINE	1		(MARKED FH661V-CS04), (SUB MIA11833)
..	MIA11833	GASOLINE ENGINE	1		(MARKED FH661V-DS04)
..	AM133940	SHORT BLOCK ASSEMBLY	1		NLA, ORDER MIA10964, (ENGINE MARKED FH661V-AS04)
..	MIA10964	SHORT BLOCK ASSEMBLY	1		(ENGINE MARKED FH661V-BS04, FH661V-CS04, FH661V-DS04)
..	MIA11393	COVER KIT	1		(INCLUDES PARTS MARKED (A))



MP19275

John Deere > Turf And Utility >TRACTOR, LAWN AND GARDEN >X320 - TRACTOR, LAWN AND GARDEN >X320 Select Series Tractor >20 ENGINE (FH661V) MM15721, MM14829 >ST541135 - PISTON AND CRANKSHAFT

KEY	PART NO.	PART NAME	QTY	REMARKS	
1	AM128738	PISTON RING KIT	2	STD	
1	AM132069	PISTON RING KIT	AR	.50 MM (.020") OS	
2	M138398	SNAP RING	4	(SUB FOR M140233)	
3	M138397	PISTON PIN	2		
4	M143319	PISTON	2	STD	
4	M146875	PISTON	AR	.50 MM (.020") OS	
5	MIA10804	CONNECTING ROD	2	(SUB FOR AM132025)	
6	M146763	BOLT	2		
7	AM133931	CRANKSHAFT	1		



MP38516



Suggest:

For more complete manuals. Please go to the home page.

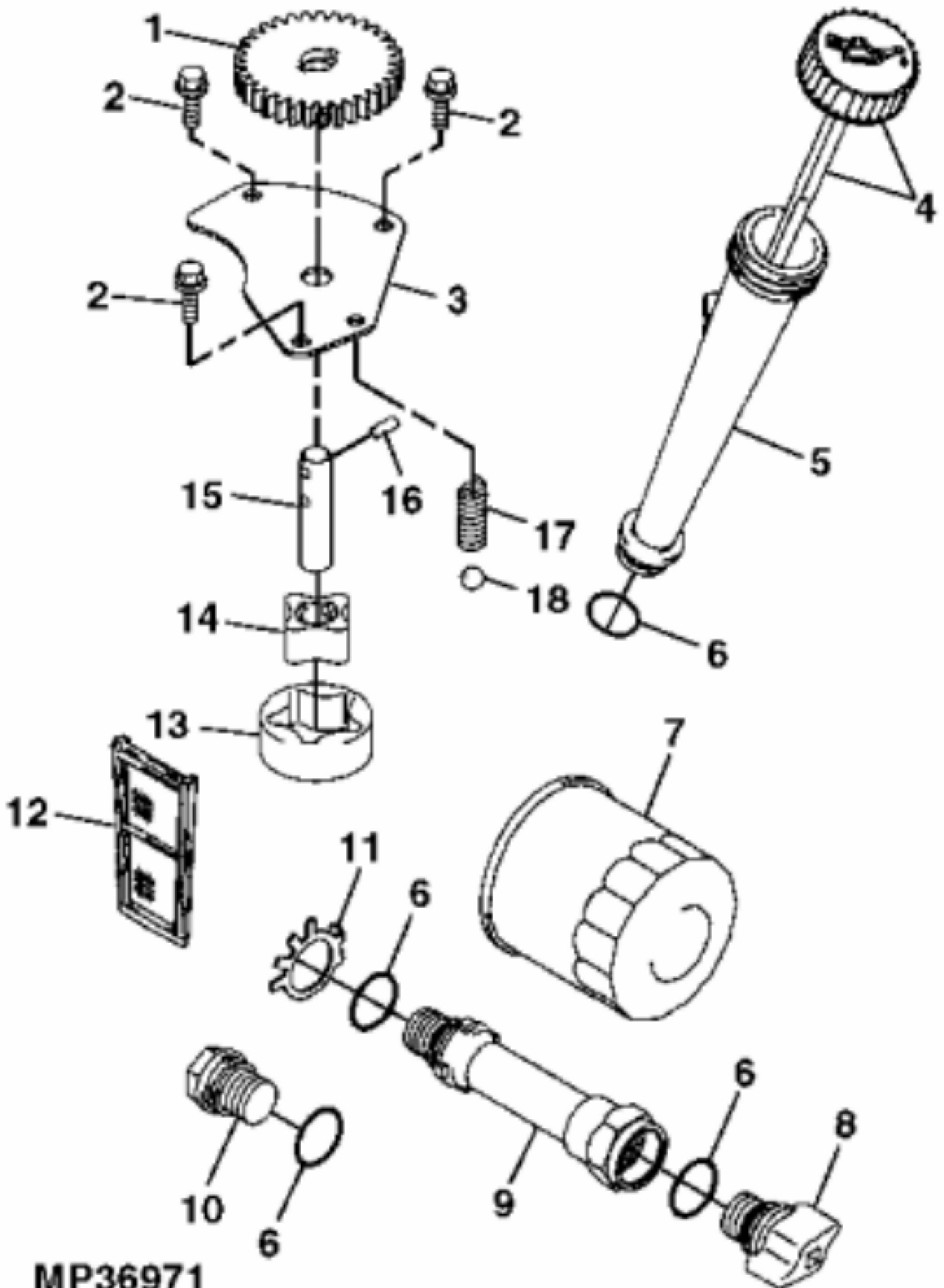
<https://www.ebooklibonline.com>

If the above button click is invalid. Please download this document first, and then click the above link to download the complete manual.

Thank you so much for reading

John Deere > Turf And Utility >TRACTOR, LAWN AND GARDEN >X320 - TRACTOR, LAWN AND GARDEN >X320 Select Series Tractor >20 ENGINE (FH661V) MM15721, MM14829 >ST541136 - CAMSHAFT AND VALVES

KEY	PART NO.	PART NAME	QTY	REMARKS
1	M146877	GUIDE	2	PUSH ROD
2	M146879	PUSH ROD	4	
3	M138403	TAPPET	4	
4	M147596	EXHAUST VALVE	2	
5	M140241	SPRING	4	
6	M138401	RETAINER	4	
7	M146881	BOLT	4	
8	M118845	RETAINER	4	(2 HALVES EACH)
9	M146876	ROCKER ARM	4	
10	M92891	NUT	4	
11	M138410	SCREW	4	
12	M140234	INTAKE VALVE	2	
13	MIA10793	CAMSHAFT	1	
14	M138413	EXTENSION SPRING	1	
15	M140240	PLATE	1	
16	M140238	GUIDE	1	
17	MIU10971	BALL	6	(SUB FOR M138412)
18	M138411	SNAP RING	2	NLA; ORDER MIU14000
18	MIU14000	SNAP RING	2	
19	M146880	PLATE	1	
20	MIU10708	SLEEVE	1	NLA; ORDER MIU13044
20	MIU13044	SLEEVE	1	
21	M146882	WASHER	1	
22	MIU11231	WASHER	1	



MP36971

<https://www.ebooklibonline.com>

Hello dear friend!

Thank you very much for reading.

Enter the link into your browser.

The full manual is available for immediate download.

<https://www.ebooklibonline.com>