

MP38637

KEY	PART NO.	PART NAME	QTY	Serial No.	REMARKS
1	MIA10583	CRANKCASE	1		
2	M127431	ADAPTER FITTING	1		
2	MIU13767	ADAPTER FITTING	1		USE WITH MIA12356
3	MIU10963	GASKET	1		ORDER MIU13318; ALSO ORDER MIU13317 AND (4) 19M7775
3	MIU13318	GASKET	1		
4	MIU11349	BRACKET	1		BREATHER; SUB FOR MIU10964
4	MIU10964	COVER	1		NLA; ORDER MIU13317
4	MIU13317	COVER	1		
5	MIU11325	BOLT	4		
5	19M7775	SCREW	4		M6 X 16, USE WITH MIU13317 AND MIU13318
6	M149281	SEAL	1		
7	MIU11322	BOLT	2		
8	M138389	SEAL	4		
9	19M7320	CAP SCREW	4		M6 X 40
10	MIU12700	CASE	2		ROCKER (SUB FOR MIU11950)
11	M138375	GASKET	2		ROCKER CASE
12	MIU11326	BOLT	17		NLA; ORDER 19M8319
12	19M8319	SCREW	1		M8 X 50
13	MIA10582	CYLINDER HEAD	1		NO.1
14	M138388	PIN	6		
15	MIU10961	ENGINE CYLINDER HEAD GASKET	2		
16	M138395	STUD	4		NLA; ORDER MIU11736
16	MIU11736	BOLT	4		NLA; ORDER MIU12726
16	MIU12726	STUD	4		
17	MIU10962	GASKET	1		CRANKCASE COVER
18	MIA10581	CYLINDER HEAD	1		NO.2
19	M149282	SEAL	1		
20	M138392	SEAL	1		NLA; ORDER M151774
20	M151774	SEAL	1		
21	MIU10965	COVER	1		CRANKCASE
22	GC00331	SCREW	4		9.525 X 29.580 mm, NLA; ORDER GX24210
22	GX24210	SCREW	4		.375"-16 X 1.125 (Special)

<https://www.ebooklibonline.com>

Hello dear friend!

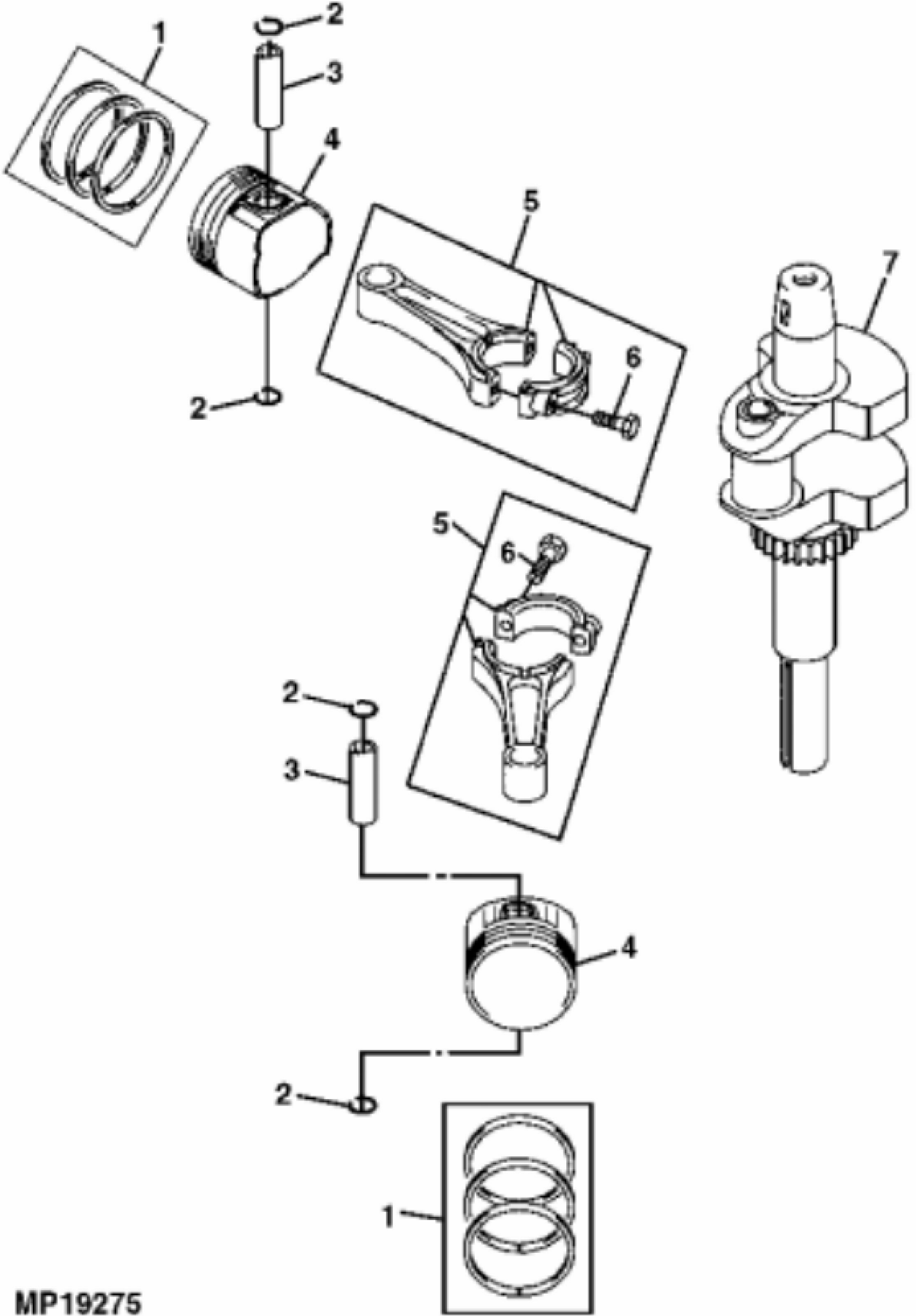
Thank you very much for reading.

Enter the link into your browser.

The full manual is available for immediate download.

<https://www.ebooklibonline.com>

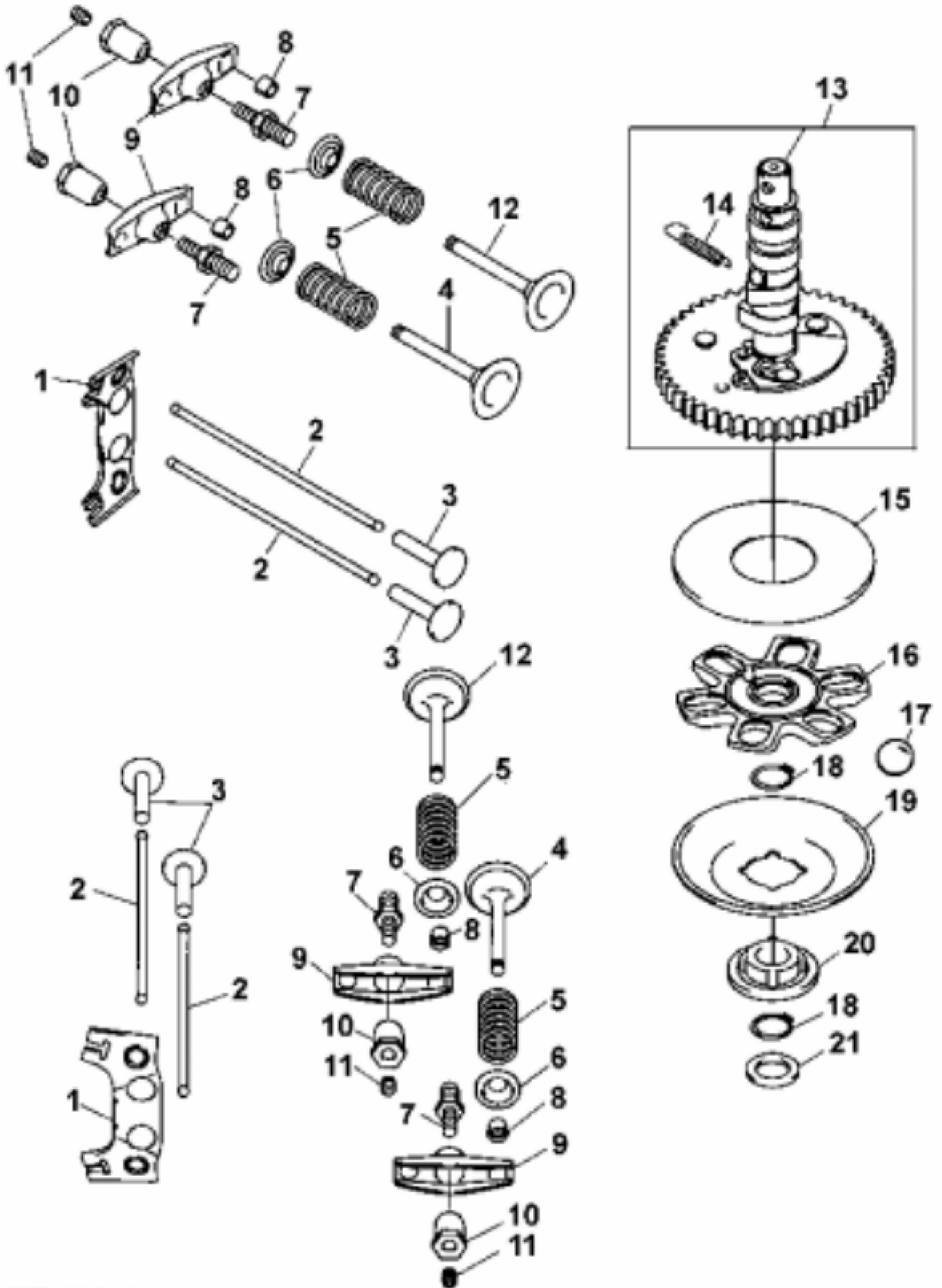
KEY	PART NO.	PART NAME	QTY	Serial No.	REMARKS
23	M147270	PLUG	1		NLA; ORDER MIU14001; OIL PRESSURE SWITCH PORT (ENGINE MARKED FH491V-BS04, FH491V-CS04, FH491V-DS04, FH491V-ES04)
23	MIU14001	PLUG	1		
..	AM134885	GASOLINE ENGINE	1	____-085000	(MARKED FH491V-AS04), (SUB MIA11074) (ALSO ORDER AM136579)
..	MIA10833	GASOLINE ENGINE	1	____-085000	(MARKED FH491V-BS04), (SUB MIA11074)
..	MIA11074	GASOLINE ENGINE	1	085001-____	(MARKED FH491V-CS04)
..	MIA11369	GASOLINE ENGINE	1		(MARKED FH491V-DS04), (SUB MIA11831)
..	MIA11831	GASOLINE ENGINE	1		(MARKED FH491V-ES04)
..	MIA10604	SHORT BLOCK ASSEMBLY	1		



MP19275

John Deere > Turf And Utility >TRACTOR, LAWN AND GARDEN >X304 - TRACTOR, LAWN AND GARDEN >X304 Select Series Tractor >20 ENGINE (FH491V) MM14827 >ST541273 - PISTON AND CRANKSHAFT

KEY	PART NO.	PART NAME	QTY	REMARKS
1	AM127861	PISTON RING KIT	2	STD
1	AM128007	PISTON RING KIT	AR	0.50 MM (.020") OS
2	M138398	SNAP RING	4	(SUB FOR M140233)
3	M138397	PISTON PIN	2	
4	MIU10966	PISTON	2	STD
4	MIU10967	PISTON	AR	0.50 MM (.020") OS
5	MIA10585	CONNECTING ROD	2	
5	MIU10968	CONNECTING ROD	AR	0.50 MM (.020") US
6	19M7796	SCREW	2	M6 X 30
7	MIA10584	CRANKSHAFT	1	



MP19276



Suggest:

For more complete manuals. Please go to the home page.

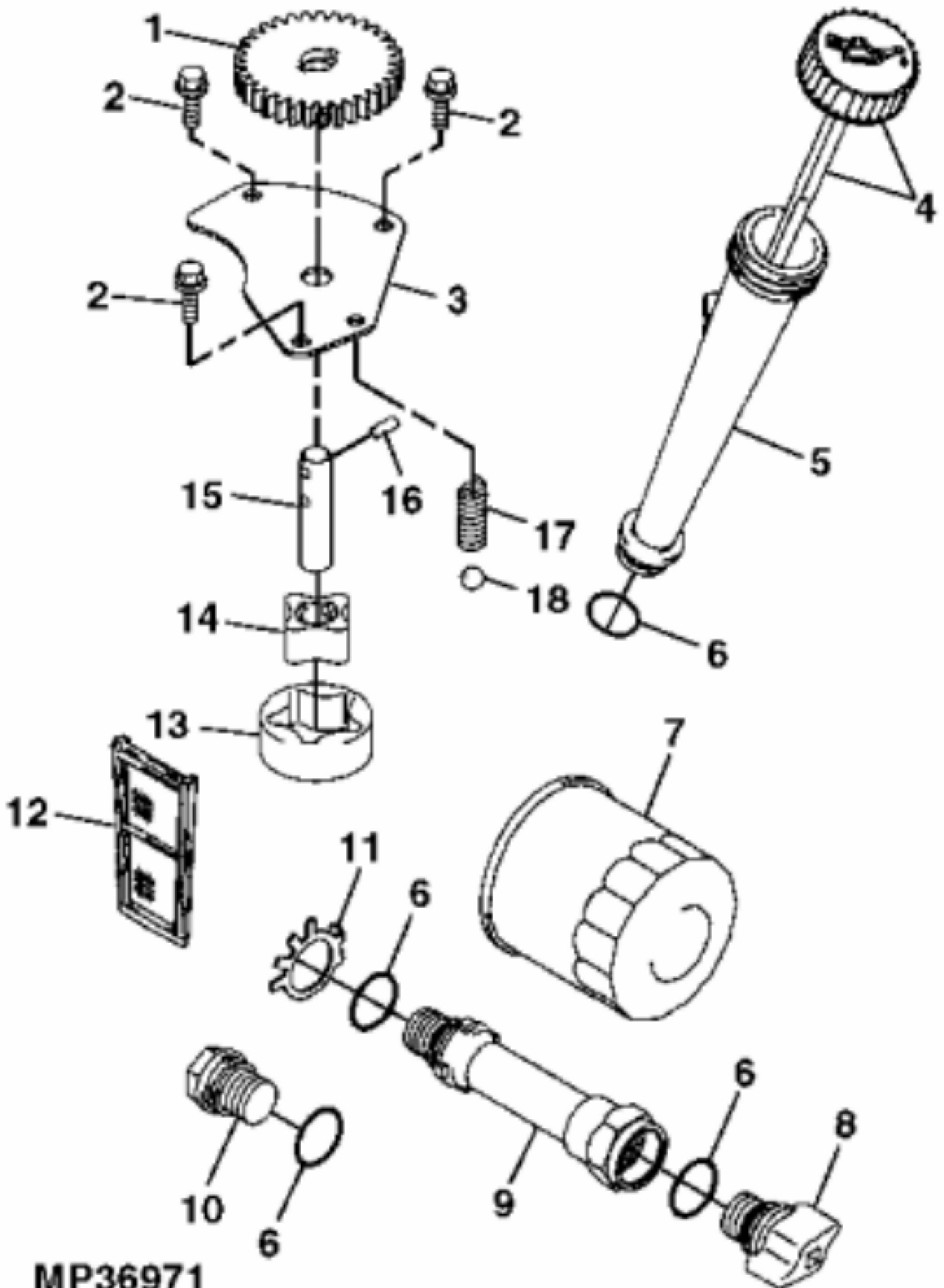
<https://www.ebooklibonline.com>

If the above button click is invalid. Please download this document first, and then click the above link to download the complete manual.

Thank you so much for reading

John Deere > Turf And Utility >TRACTOR, LAWN AND GARDEN >X304 - TRACTOR, LAWN AND GARDEN >X304 Select Series Tractor >20 ENGINE (FH491V) MM14827 >ST541274 - CAMSHAFT AND VALVES

KEY	PART NO.	PART NAME	QTY	REMARKS
1	M138404	GUIDE	2	PUSH ROD
2	M76088	PUSH ROD	4	
3	M138403	TAPPET	4	
4	MIU10970	EXHAUST VALVE	2	
5	M138409	COMPRESSION SPRING	4	
6	M138401	RETAINER	4	
7	M146881	BOLT	4	
8	M118845	RETAINER	4	(2 HALVES EACH)
9	M138402	ROCKER ARM	4	
10	M92891	NUT	4	
11	M138410	SCREW	4	
12	MIU10969	INTAKE VALVE	2	
13	MIA10586	CAMSHAFT	1	
14	M138413	EXTENSION SPRING	1	
15	M140240	PLATE	1	
16	M140238	GUIDE	1	
17	MIU10971	BALL BEARING	6	
18	M138411	SNAP RING	2	NLA; ORDER MIU14000
18	MIU14000	SNAP RING	2	
19	M146880	PLATE	1	
20	MIU10708	SLEEVE	1	NLA; ORDER MIU13044
20	MIU13044	SLEEVE	1	
21	M138415	WASHER	1	



MP36971

<https://www.ebooklibonline.com>

Hello dear friend!

Thank you very much for reading.

Enter the link into your browser.

The full manual is available for immediate download.

<https://www.ebooklibonline.com>