

PU02956

| KEY | PART NO. | PART NAME       | QTY | REMARKS                                    |  |
|-----|----------|-----------------|-----|--|--|
| 1   | MIA11889 | GASOLINE ENGINE | 1   | NLA; ORDER MIA12065; MARKED 31P677-0242-B1 |  |
| 1   | MIA12065 | GASOLINE ENGINE | 1   | NLA; ORDER MIA12226                        |  |
| 1   | MIA12226 | GASOLINE ENGINE | 1   | NLA; ORDER MIA12438; MARKED 31P677-0244-B1 |  |
| 1   | MIA12438 | GASOLINE ENGINE | 1   | NLA; ORDER MIA12612; MARKED 31P677-0157-B2 |  |
| 1   | MIA12612 | GASOLINE ENGINE | 1   | MARKED 31R977-0005-B1                      |  |

**<https://www.ebooklibonline.com>**

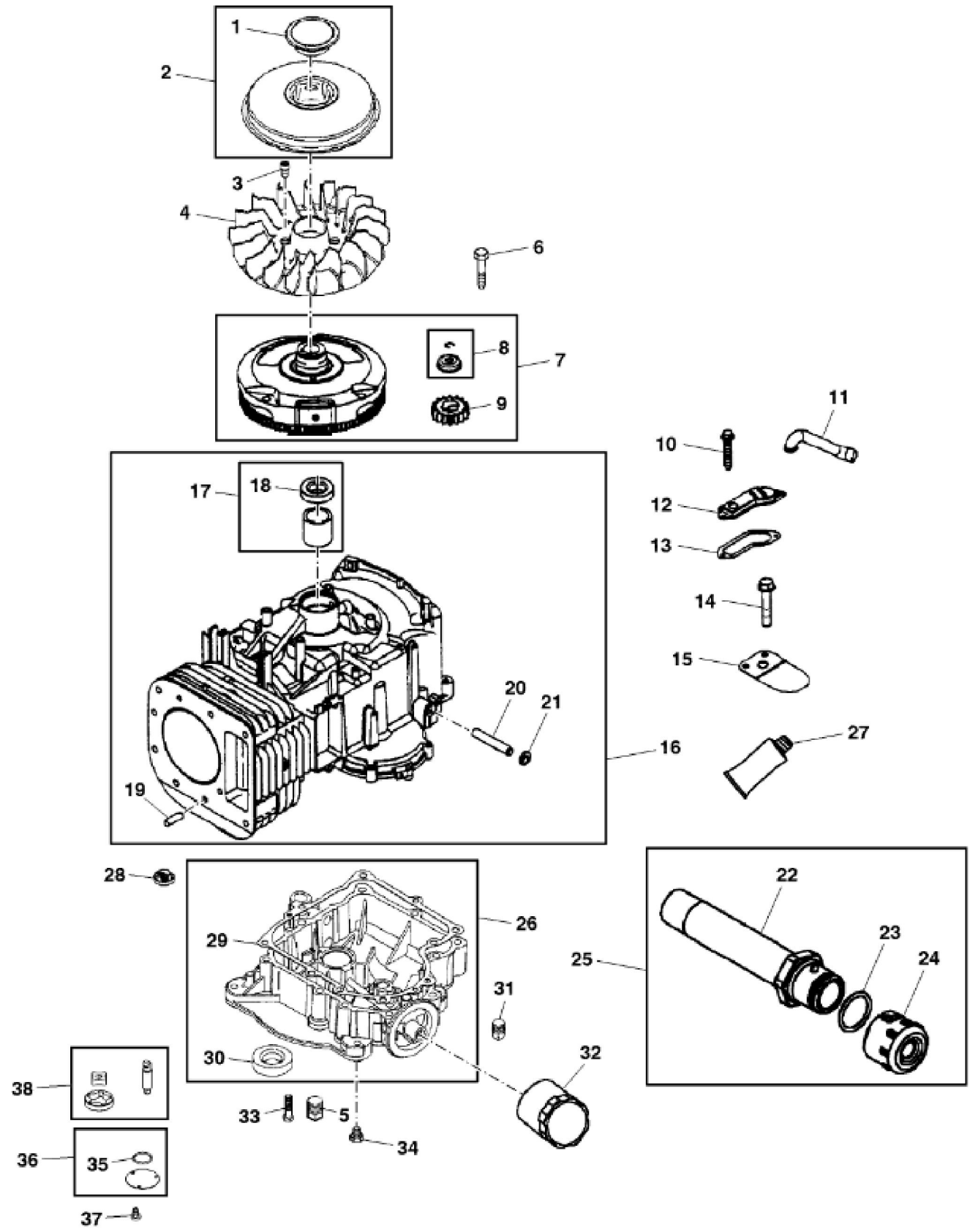
Hello dear friend!

Thank you very much for reading.

Enter the link into your browser.

The full manual is available for immediate download.

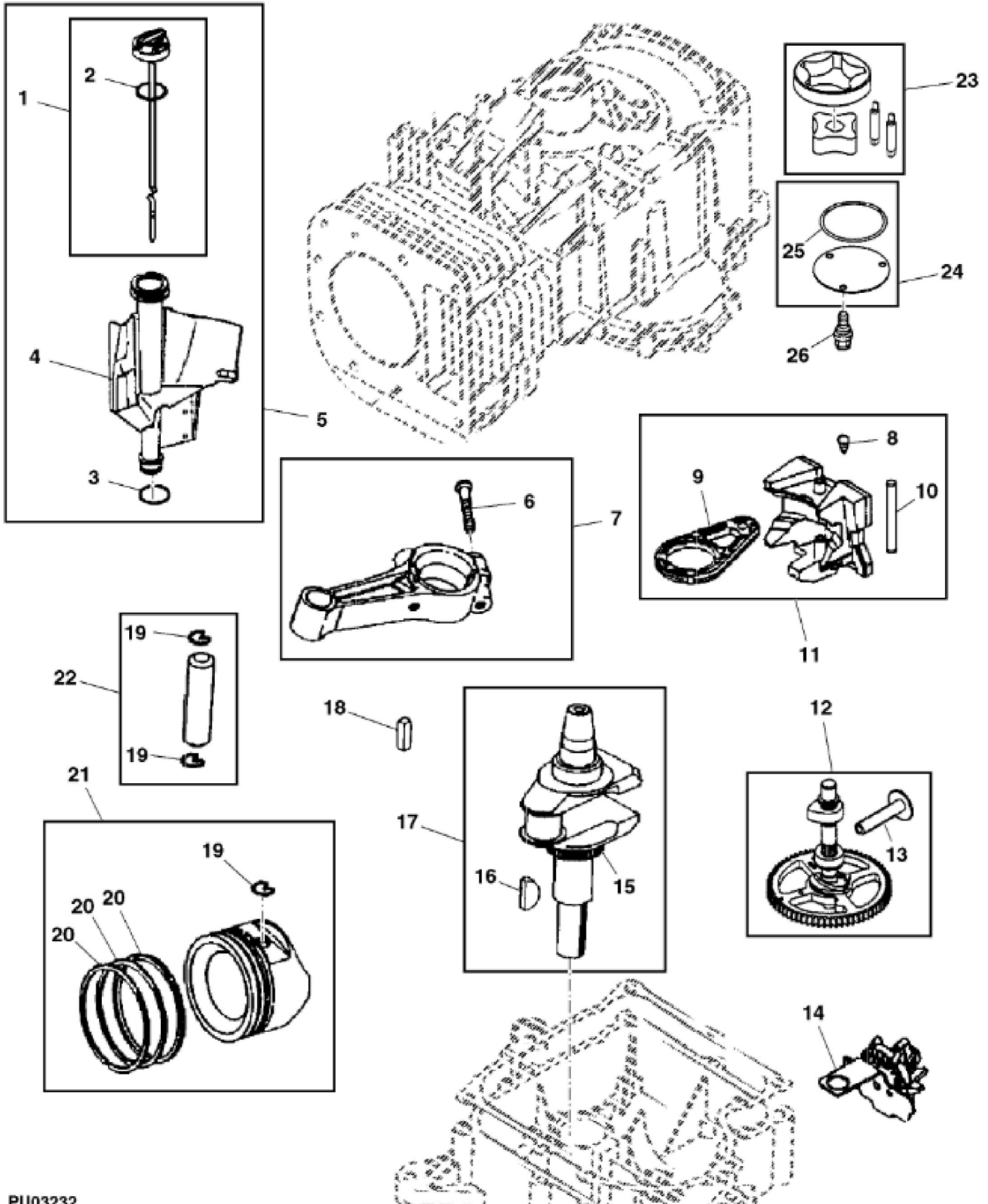
**<https://www.ebooklibonline.com>**



PU15911

| KEY | PART NO.  | PART NAME      | QTY | REMARKS                                 |
|-----|-----------|----------------|-----|---|
| 1   | MIU11635  | PLUG           | 1   | (A)                                     |
| 2   | MIA13017  | SCREEN KIT     | 1   | (A) SUB FOR MIA11525                    |
| 3   | MIU11638  | SCREW          | 2   | (A)                                     |
| 4   | MIU12139  | FAN            | 1   | (A)                                     |
| 5   | LG690946  | DRAIN PLUG     | 1   | NLA; ORDER 15H623                       |
| 5   | 15H623    | PIPE PLUG      | 1   | 3/8"                                    |
| 6   | M153303   | SCREW          | 1   |   |
| 7   | AM135134  | FLYWHEEL       | 1   |   |
| 7   | MIA12501  | FLYWHEEL       | 1   | MARKED 31P677-0157-B2 or 31R977-0005-B1 |
| 8   | LG691265  | SNAP RING      | 1   |   |
| 9   | LG693713  | PINION         | 1   | Starter                                 |
| 10  | M147508   | SCREW          | 2   |   |
| 11  | MIU11682  | TUBE           | 1   | Breather                                |
| 12  | MIU11631  | COVER          | 1   | Breather Passage                        |
| 13  | M147564   | GASKET         | 1   |   |
| 14  | M147507   | SCREW          | 2   |   |
| 15  | M147501   | BREATHER       | 1   | Reed                                    |
| 16  | MIA11419  | CYLINDER BLOCK | 1   |   |
| 17  | LG399265  | BEARING        | 1   | NLA; ORDER MIA11778; Bushing W/Seal     |
| 17  | MIA11778  | SEAL KIT       | 1   | Bushing W/Seal                          |
| 18  | LG391086S | SEAL           | 1   | (Magneto Side)                          |
| 19  | LG690959  | DOWEL PIN      | 2   |   |
| 20  | M147497   | BUSHING        | 1   | Governor                                |
| 21  | LG692407  | SEAL           | 1   | Governor                                |
| 22  | .....     | OIL TUBE       | 1   |   |
| 23  | T77932    | O-RING         | 1   |   |
| 24  | M144897   | CAP            | 1   |   |
| 25  | AM131611  | TUBE           | 1   | Oil Drain                               |
| 26  | MIA11429  | COVER          | 1   | NLA; ORDER AM135143                     |
| 26  | AM135143  | RESERVOIR      | 1   | NLA; ORDER MIA12717; INCLUDES 15H638    |
| 26  | MIA12717  | RESERVOIR      | 1   | INCLUDES 15H638                         |
| 27  | PM37469   | LIQUID GASKET  | 1   |   |
| 28  | MIU12709  | SCREEN         | 1   |   |
| 29  | M147513   | GASKET         | 1   |   |
| 30  | MIU11958  | SEAL           | 1   | PTO Side                                |

| KEY | PART NO. | PART NAME    | QTY | REMARKS                                      |  |
|-----|----------|--------------|-----|--|--|
| 31  | 15H638   | PIPE PLUG    | 1   | 1/8"   |  |
| 32  | AM125424 | OIL FILTER   | 1   |  |  |
| 33  | LG692125 | CAP SCREW    | 10  |  |  |
| 34  | GC00331  | BOLT         | 4   | NLA; ORDER GX24210; Engine Mounting          |  |
| 34  | GX24210  | SCREW        | 4   |  |  |
| 35  | LG690589 | SEAL         | 1   |  |  |
| 36  | LG499613 | COVER        | 1   |  |  |
| 37  | MIU11119 | SCREW        | 1   | Oil Pump Cover                               |  |
| 38  | MIA11172 | OIL PUMP     | 1   | Oil  |  |
| 39  | MIA11519 | FLYWHEEL KIT | 1   | (Includes Parts Marked (A)); Not Illustrated |  |





**Suggest:**

**For more complete manuals. Please go to the home page.**

**<https://www.ebooklibonline.com>**

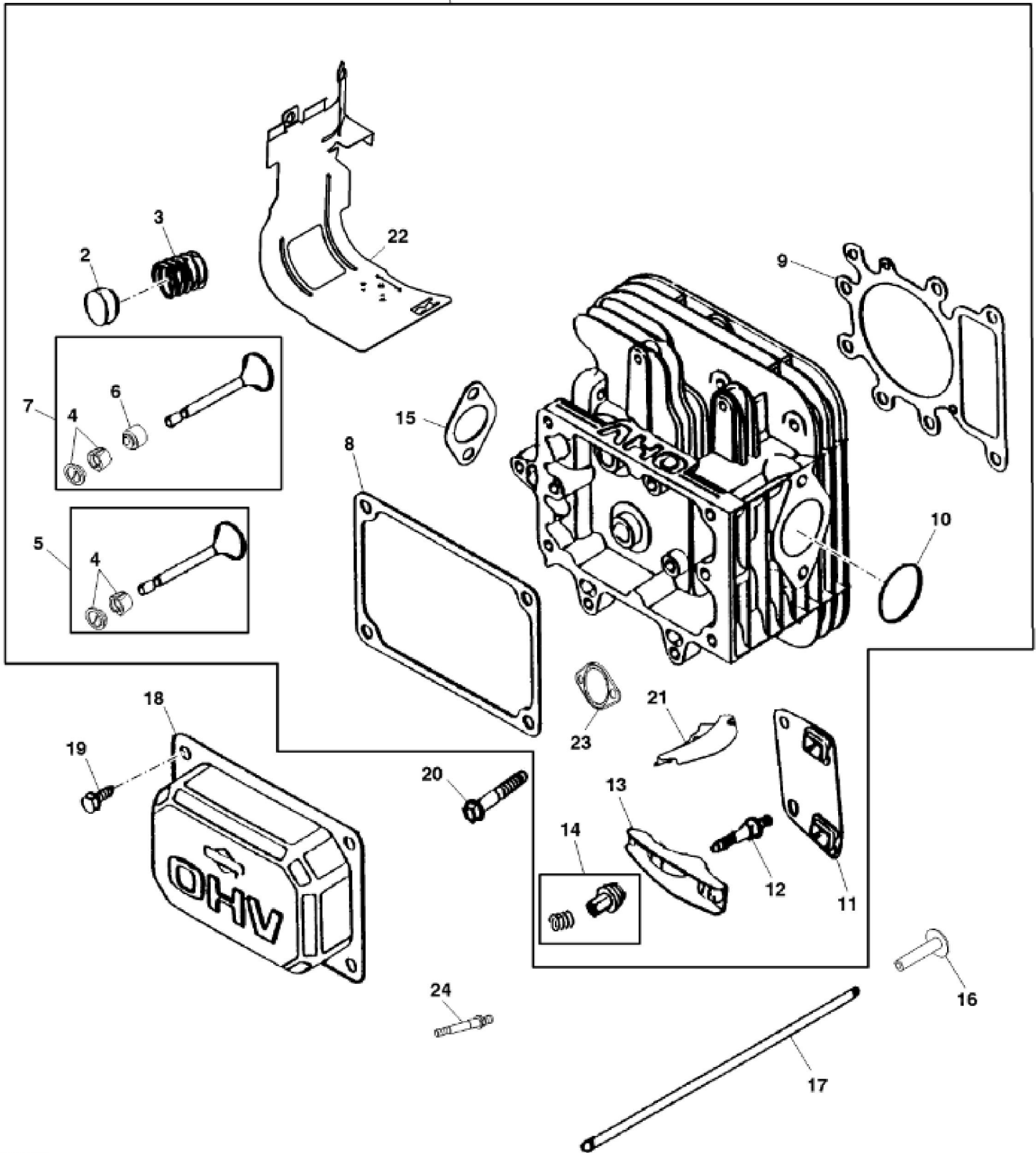
**If the above button click is invalid. Please download this document first, and then click the above link to download the complete manual.**

**Thank you so much for reading**

John Deere > Turf And Utility >TRACTOR, LAWN AND GARDEN >X145 - TRACTOR, LAWN AND GARDEN >X145 100 Series Tractor >20 ENGINE GU21372 >ST247356 - CRANKSHAFT, CONNECTING RODS AND PISTONS

| KEY | PART NO.  | PART NAME       | QTY | REMARKS                                 |
|-----|-----------|-----------------|-----|---|
| 1   | AM135145  | DIPSTICK        | 1   |   |
| 2   | LG691031  | O-RING          | 1   |   |
| 3   | LG691032  | SEAL            | 1   |   |
| 4   | M152554   | DIPSTICK TUBE   | 1   |   |
| 5   | AM135144  | DIPSTICK TUBE   | 1   |   |
| 6   | MIU11051  | SCREW           | 2   |   |
| 7   | MIA11126  | CONNECTING ROD  | 1   |   |
| 8   | MIU11437  | PLUG            | 1   |   |
| 9   | MIU11436  | LINK            | 2   |   |
| 10  | M152556   | PIN             | 1   |   |
| 11  | MIA10989  | COUNTERWEIGHT   | 1   |   |
| 12  | MIA11377  | CAMSHAFT        | 1   |   |
| 13  | LG690564  | TAPPET          | 2   |   |
| 14  | LG691968  | GOVERNOR        | 1   |   |
| 15  | M147512   | GEAR            | 1   | Timing                                  |
| 16  | LG691639  | SHAFT KEY       | 1   |   |
| 17  | MIA10982  | CRANKSHAFT      | 1   |   |
| 17  | MIA12499  | CRANKSHAFT      | 1   | MARKED 31P677-0157-B2 or 31R977-0005-B1 |
| 18  | LG222698S | SHAFT KEY       | 1   | SUB FOR MIU12716; Flywheel              |
| 18  | MIU13972  | KEY             | 1   | MARKED 31P677-0157-B2 or 31R977-0005-B1 |
| 19  | M152553   | LOCK            | 2   |   |
| 20  | MIA10691  | PISTON RING KIT | 1   | Std.                                    |
| 20  | MIU11639  | PISTON RING KIT | 1   | .50 MM (.020") , OS                     |
| 21  | MIA11421  | PISTON          | 1   | Std.                                    |
| 21  | MIA11430  | PISTON          | 1   | .50 MM (.020") , OS                     |
| 22  | MIA11423  | PISTON PIN      | 1   |   |
| 23  | MIA11172  | OIL PUMP        | 1   |   |
| 24  | LG499613  | COVER           | 1   |   |
| 25  | LG690589  | SEAL            | 1   |   |
| 26  | MIU11119  | SCREW           | 3   |   |

1



**<https://www.ebooklibonline.com>**

Hello dear friend!

Thank you very much for reading.

Enter the link into your browser.

The full manual is available for immediate download.

**<https://www.ebooklibonline.com>**