



KEY	PART NO.	PART NAME	QTY	Serial No.	REMARKS
1	UC11104	DIPSTICK	1		SUB FOR LG499602
1	MIU13965	COVER	1		(Not Illustrated) USE WITH MIA12443; SUB FOR LG499602
2	LG691031	O-RING	1		
3	LG691036	DIPSTICK	1		
4	LG691032	SEAL	1		
5	LG691037	OIL TUBE	1		
6	M153266	SCREW	1		
7	LG391086S	SEAL	1		
8	MIA11778	SEAL KIT	1		(Sub For LG499585)
9	LG690959	DOWEL PIN	6		
10	MIA10607	CYLINDER	1		NLA; ORDER MIA11033
10	MIA11033	CYLINDER	1		ORDER MIA12510
10	MIA13076	CYLINDER	1		SUB FOR MIA12510
10	MIA11345	CYLINDER	1		ORDER MIA12493
10	MIA13087	CYLINDER BLOCK	1		SUB FOR APPL MIA12493
11	MIU14436	GASKET	1		SUB FOR M150226 AND MIU13979; Crankcase
12	LG690770	SCREEN	1		(A)
12	MIU12140	SCREEN	1		USE WITH MIA11414 And MIA11584
13	LG691680	DRAIN PLUG	1		(A) (Engine Marked 441677-0113-E1, 0131-E1)
13	15H623	PIPE PLUG	1		3/8", (Engine Marked 441677-0143-B1)
13	LG690946	DRAIN PLUG	1		(Use With MIA11414 And MIA11584)
14	LG690954	THREADED NIPPLE	1		(A)
15	15H638	PIPE PLUG	1		1/8", (A)
16	MIU11958	SEAL	1		(A) (Oil) (Sub For MIU11212)
17	MIU11284	SEAL	1		(A) Governor Shaft
18	M142281	BUSHING	1		(A); NLA; ORDER MIU12503; Governor Crank
18	MIU12503	BUSHING	1		
19	AM134054	RESERVOIR	1		NLA, (Sub MIA11584 (Includes Parts Marked (A)))
19	MIA11584	RESERVOIR	1		(Sub For MIA11460)(Also Includes MIU12143, MIA11464 And (3) MIU12142)
20	AM125424	OIL FILTER	1		
21	LG690957	RETAINER	1		
22	MIU11502	BREATHER	1		(Sub For LG690956)

**<https://www.ebooklibonline.com>**

Hello dear friend!

Thank you very much for reading.

Enter the link into your browser.

The full manual is available for immediate download.

**<https://www.ebooklibonline.com>**

KEY	PART NO.	PART NAME	QTY	Serial No.	REMARKS
23	LG691108	SCREW	3	____-023204	8 X 1/2
23	37H74	SCREW	3	023205-____	
24	MIU14443	TUBE	1		SUB FOR MIU11280
25	LG690937	GASKET	1		(Engine Marked 441677-0113-E1, 0131-E1)
25	.....	LIQUID GASKET	1		(Engine Marked 441677-0143-B1) (Make From M64850)
26	MIA10872	BREATHER	1		
27	M142896	SCREW	10		
28	LG691045	CRANK	1		Governor
29	M142282	BUSHING	2		
30	M142286	RETAINER	2		
31	M142280	WASHER	1		
32	GC00331	SCREW	4		NLA; ORDER GX24210; Engine Mounting
32	GX24210	SCREW	4		
33	AM131611	DRAIN PLUG	1		Oil Drain
34	.....	TUBE	1		
35	T77932	O-RING	1		
36	M144897	CAP	1		
37	PM37469	LIQUID GASKET	AR		
38	MIU12142	SCREW	1		USE WITH MIA12855
39	MIA11464	COVER	1		USE WITH MIA12855; Oil Pump
40	MIU12153	SEAL	1		USE WITH MIA12855
41	MIU12143	OIL PUMP	1		USE WITH MIA12855
42	MIA10807	GASOLINE ENGINE	1		MARKED 441677-0113-E1; Not Illustrated
42	MIA11020	GASOLINE ENGINE	1		NLA; MARKED 441677-0131-E1; ORDER MIA12443; SUB FOR MIA10832; Not Illustrated
42	MIA11085	GASOLINE ENGINE	1		NLA; ORDER MIA12226; MARKED 441677-0143-B1; Not Illustrated
42	MIA12226	GASOLINE ENGINE	1		NLA; ORDER MIA12438; MARKED 31P677-0244-B1; Not Illustrated
42	MIA12438	GASOLINE ENGINE	1		MARKED 31P677-0157-B1; Not Illustrated
42	MIA11414	GASOLINE ENGINE	1		NLA; ORDER MIA11632; MARKED 407777-178-B1; Not Illustrated
42	MIA11632	GASOLINE ENGINE	1		NLA; ORDER MIA12067; MARKED 407777-0151-B1; 22HP, EU, M40, 3350RPM; Not Illustrated
42	MIA12067	GASOLINE ENGINE	1		NLA; ORDER MIA12229; Not Illustrated

KEY	PART NO.	PART NAME	QTY	Serial No.	REMARKS	
42	MIA12229	GASOLINE ENGINE	1		NLA; ORDER MIA12441; Not Illustrated	
42	MIA12441	GASOLINE ENGINE	1		Not Illustrated	
42	MIA12443	GASOLINE ENGINE	1		Not Illustrated	
42	MIA12855	GASOLINE ENGINE	1		(Not Illustrated) MARKED 40N877-0001-B1; Not Illustrated	
43	LG692125	CAP SCREW	1		(Not Illustrated) USE WITH MIA11584	



John Deere > Turf And Utility >TRACTOR, LAWN AND GARDEN >X140 - TRACTOR, LAWN AND GARDEN >X140 Tractor (100 Series) with 48-Inch Mower Deck >20 ENGINE GU21173, GU21176, GU21178  
 >ST245080 - CRANKSHAFT AND PISTON

KEY	PART NO.	PART NAME	QTY	Serial No.	REMARKS
1	MIA11459	CONNECTING ROD	2		(SUB FOR AM135101)
2	LG690976	SCREW	4		
3	AM135083	CRANKSHAFT	1		(SUB MIA11457)
3	MIA11457	CRANKSHAFT	1		(INCLUDES LG690980)
4	26H67	SHAFT KEY	1		1/8" X 3/8", (SUB FOR 26H4)
5	LG690980	GEAR	1		TIMING
6	LG222698S	SHAFT KEY	1		FLYWHEEL
7	MIA10916	CAMSHAFT	1		(INCLUDES (4) LG690977)
8	LG499054	OIL PUMP	1		(ENGINE MARKED 441677-0113-E1, 0131-E1) (SUB MIA11172)
8	.....	OIL PUMP	1	____-023204	(ENGINE MARKED 441677-0143-B1) (ORDER MIA11172)
8	MIU12143	OIL PUMP	1	023205-____	
8	MIA11172	OIL PUMP	1		(USE WITH MIA11020)
9	LG691042	SHAFT	1		(ENGINE MARKED 441677-0113-E1, 0131-E1); NLA; ORDER MIA11172
9	.....	SHAFT	1	____-023204	(ENGINE MARKED 441677-0143-B1) (ORDER MIA11172)
9	.....	SHAFT	1	023205-____	(ORDER MIU12143)
9	MIA11172	OIL PUMP	1		
10	LG499613	COVER	1	____-023204	
10	MIA11464	COVER	1	023205-____	
11	LG690589	SEAL	1	____-023204	
11	MIU12153	SEAL	1	023205-____	(ENGINE MARKED 407777-178-B1)
12	M151228	SCREW	3	____-023204	
12	MIU12142	SCREW	3	023205-____	
13	LG690975	LOCK	2		
14	LG690229	PISTON PIN	2	____-023204	
14	MIA11458	PISTON PIN	2	023205-____	
15	MIU11282	PISTON RING KIT	2		STD
15	MIU11283	PISTON RING KIT	2		.020" , OS
15	MIU12013	PISTON RING KIT	2		STD (USE WITH MIA11346 ) (SUB FOR MIU12180)
15	MIU12161	RING	2		STD (USE WITH MIA11102 )
16	MIA10877	PISTON	2	____-023204	STD



**Suggest:**

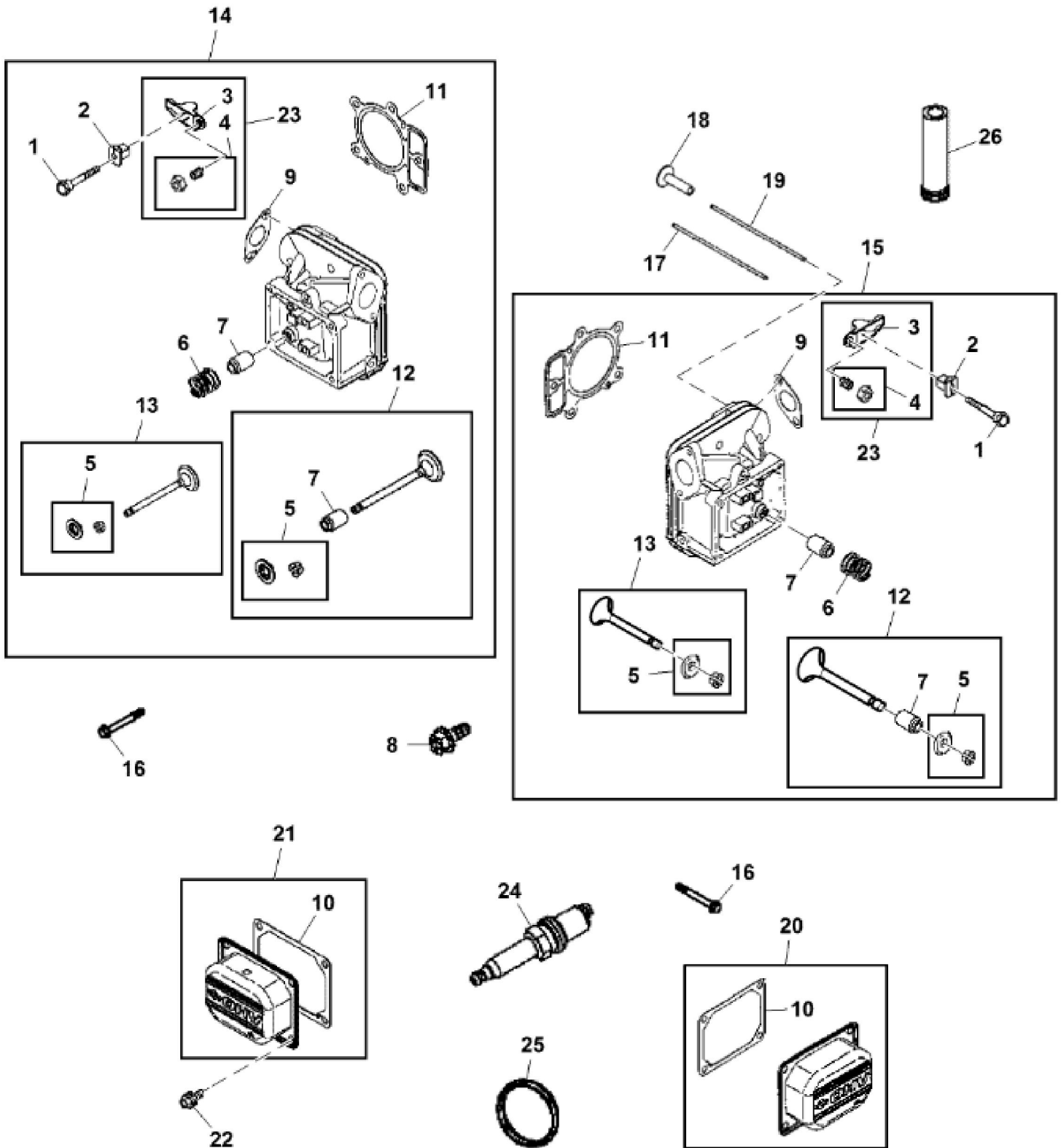
**For more complete manuals. Please go to the home page.**

**<https://www.ebooklibonline.com>**

**If the above button click is invalid. Please download this document first, and then click the above link to download the complete manual.**

**Thank you so much for reading**

KEY	PART NO.	PART NAME	QTY	Serial No.	REMARKS	
16	MIA10878	PISTON	2	____-023204	.020" , OS	
16	MIA11346	PISTON	2	023205-____	STD.	
16	MIA11102	PISTON	2	023205-____	.020" , OS (INCLUDES (1) LG690975)	
17	LG690977	TAPPET	4		USE WITH MIA12855	



**<https://www.ebooklibonline.com>**

Hello dear friend!

Thank you very much for reading.

Enter the link into your browser.

The full manual is available for immediate download.

**<https://www.ebooklibonline.com>**