

MP42696

John Deere > Turf And Utility >TRACTOR, LAWN AND GARDEN >X130R - TRACTOR, LAWN AND GARDEN >X130R Tractor (100 Series) with 42-Inch Mower Deck >20 ENGINE GU20764 >ST247224 - CYLINDER BLOCK AND DIPSTICK

KEY	PART NO.	PART NAME	QTY	REMARKS
1	UC11104	DIPSTICK	1	SUB FOR LG499602
2	LG691036	DIPSTICK	1	
3	LG691031	O-RING	1	
4	LG691037	OIL TUBE	1	
5	LG691032	O-RING	1	
6	37H74	SCREW	1	MARKED 405577-0129-B1
6	M153266	SCREW	1	MARKED 405577-0129-B3
7	MIA11345	CYLINDER	1	NLA; ORDER MIA12493
7	MIA13087	CYLINDER BLOCK	1	SUB FOR APPL MIA12493
8	MIA11778	SEAL KIT	1	
9	LG391086S	SEAL	1	
10	LG690959	DOWEL PIN	6	
11	37H74	SCREW	3	
12	MIA10872	BREATHER	1	
13	MIU14443	TUBE	1	SUB FOR MIU11280
14	LG690937	GASKET	1	
15	LG690957	RETAINER	1	
16	MIU11502	BREATHER	1	
17	AM125424	OIL FILTER	1	
18	T77932	O-RING	1	
19	M144897	CAP	1	
20	AM131611	KIT	1	Oil Drain
21	M142896	SCREW	10	
22	PM37469	LIQUID GASKET	AR	(Interchangeable With Breather Gasket)
23	GX24210	SCREW	3	.375"-16 X 1.125, SUB FOR GC00331, Special, Engine Mounting
24	MIU11958	SEAL	1	(Oil)
25	15H638	PIPE PLUG	1	1/8"
26	LG690954	THREADED NIPPLE	1	
27	MIU14436	GASKET	1	SUB FOR M150226 AND MIU13979
28	15H623	PIPE PLUG	1	3/8"
29	MIU12153	SEAL	1	
30	MIA11464	COVER	1	
31	MIU12142	SCREW	3	

**<https://www.ebooklibonline.com>**

Hello dear friend!

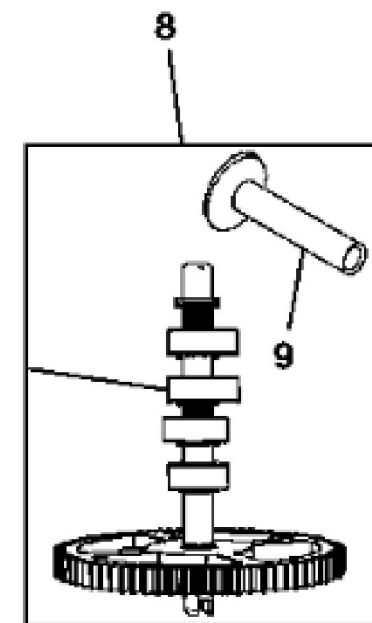
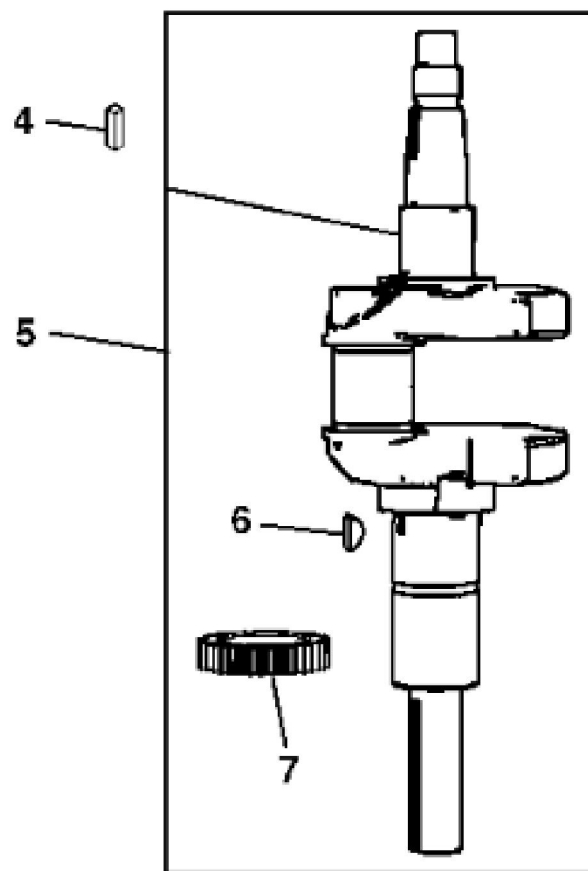
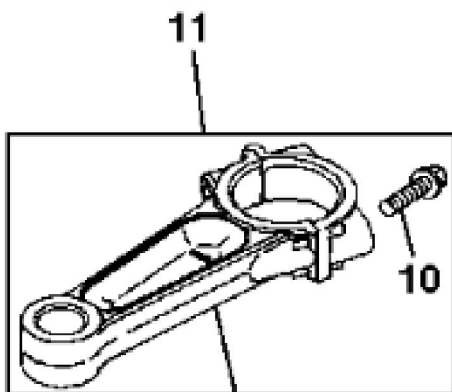
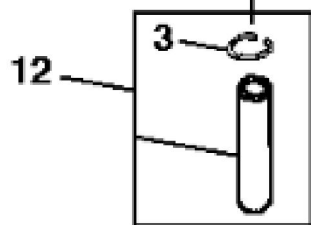
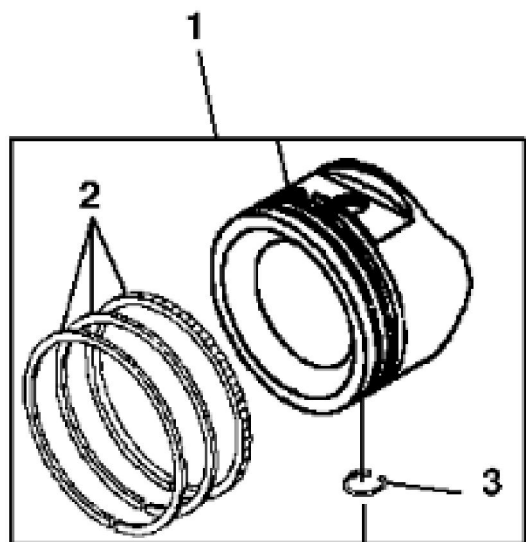
Thank you very much for reading.

Enter the link into your browser.

The full manual is available for immediate download.

**<https://www.ebooklibonline.com>**

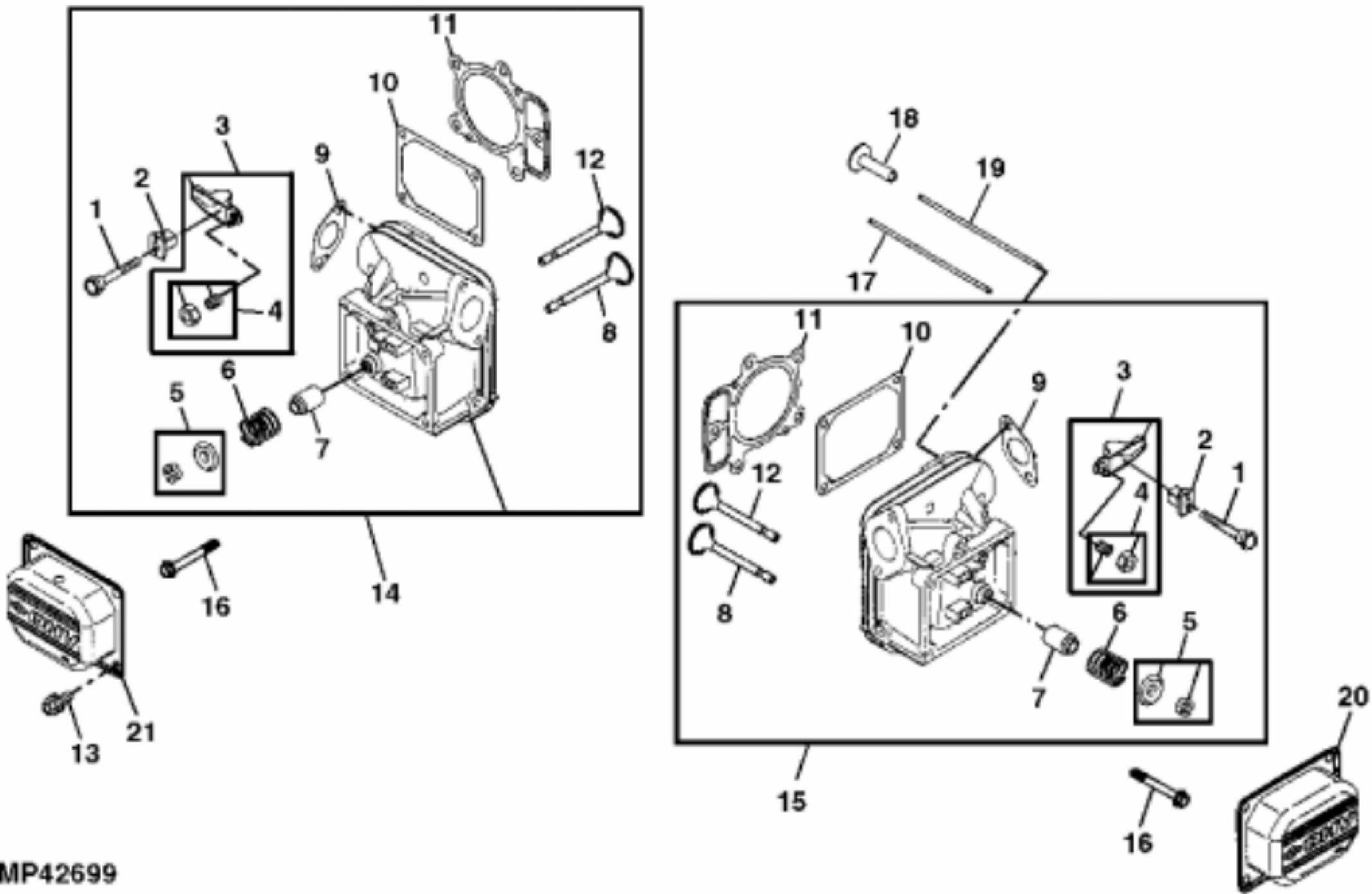
KEY	PART NO.	PART NAME	QTY	REMARKS	
32	MIU12143	OIL PUMP	1		
33	MIU12140	SCREEN	1		
34	MIU11284	SEAL	1	Governor Shaft	
35	MIU12503	BUSHING	1		
36	M142280	WASHER	1		
37	M142286	RETAINER	2		
38	M142282	BUSHING	2		
39	LG691045	CRANK	1	Governor	
40	MIA11584	RESERVOIR	1		
..	MIA11518	GASOLINE ENGINE	1	(MARKED 405577-0129-B1) (SUB MIA11842)	
..	MIA11842	GASOLINE ENGINE	1	(MARKED 405577-0129-B3) (SUB MIA11890)	



MP42698

## CRANKSHAFT AND PISTON

KEY	PART NO.	PART NAME	QTY	REMARKS	
1	MIA11346	PISTON	2	STD.	
1	MIA11102	PISTON	2	.020" (.50 MM), OS	
2	MIU12013	PISTON RING KIT	1	STD.	
2	MIU12161	RING	1	.020" (.50 MM), OS	
3	LG690975	LOCK	2		
4	LG222698S	SHAFT KEY	1	FLYWHEEL	
5	MIA11457	CRANKSHAFT	1		
6	26H67	SHAFT KEY	1	1/8" X 3/8"	
7	LG690980	GEAR	1	TIMING	
8	MIA10916	CAMSHAFT	1		
9	LG690977	TAPPET	4		
10	LG690976	SCREW	2		
11	MIA11459	CONNECTING ROD	2		
12	MIA11458	PISTON PIN	2		



MP42699



**Suggest:**

**For more complete manuals. Please go to the home page.**

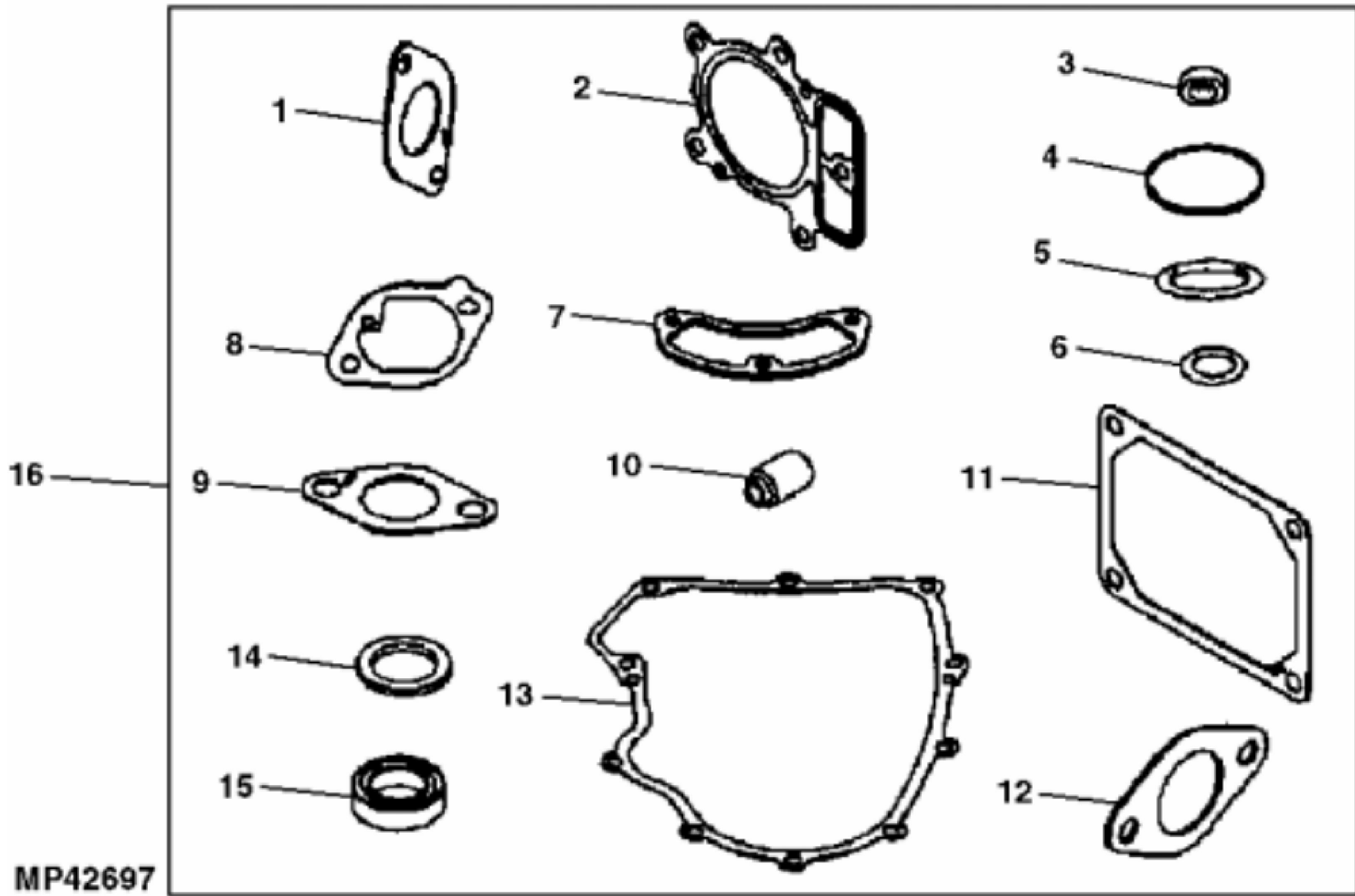
**<https://www.ebooklibonline.com>**

**If the above button click is invalid. Please download this document first, and then click the above link to download the complete manual.**

**Thank you so much for reading**

CYLINDER HEAD

KEY	PART NO.	PART NAME	QTY	REMARKS
1	M150390	SCREW	2	
2	MIU11035	PIVOT	2	
3	LG690972	ROCKER ARM	2	
4	LG690083	ADJUSTER	1	
5	LG499586	RETAINER	2	(A) (B) VALVE
6	MIU11281	SPRING	2	
7	LG690968	SEAL	1	(A) VALVE SEAL
8	MIA11171	EXHAUST VALVE	1	(INCLUDES PARTS MARKED (B))
9	LG690970	GASKET	1	EXHAUST
10	LG690971	GASKET	1	ROCKER COVER
10	PM37469	LIQUID GASKET	AR	(INTERCHANGEABLE WITH ROCKER COVER GASKET)
11	M142274	ENGINE CYLINDER HEAD GASKET	1	
12	MIA10874	INTAKE VALVE	1	(INCLUDES PARTS MARKED (A))
13	LG691127	SCREW	8	
14	MIA11455	CYLINDER HEAD	1	(NO.1)
15	MIA11456	CYLINDER HEAD	1	(NO.2)
16	MIU14366	SCREW	10	SUB FOR MIU11632
17	LG690982	PUSH ROD	2	EXHAUST
18	LG690977	TAPPET	4	
19	LG690981	PUSH ROD	2	INTAKE
20	LG499600	COVER	1	ROCKER (NO.2), (INCLUDES LG690971)
21	MIA10873	COVER	1	ROCKER (NO.1), (INCLUDES LG690971)



MP42697

**<https://www.ebooklibonline.com>**

Hello dear friend!

Thank you very much for reading.

Enter the link into your browser.

The full manual is available for immediate download.

**<https://www.ebooklibonline.com>**