

- CRANKCASE

KEY	PART NO.	PART NAME	QTY	REMARKS
1	M147493	SCREEN	1	MARKED 31P677-0131-B1, ORDER MIU11503
2	M152566	SCREW	4	MARKED 31P677-0131-B1, Engine
3	MIU12152	SCREW	2	MARKED 31P677-0131-B1; SUB FOR LG690372; Engine
4	MIU11503	FAN	1	MARKED 31P677-0131-B1; SUB FOR M152561; SUB MIA11519
5	LG690946	DRAIN PLUG	1	ORDER 15H623 ; MARKED 31P677-0143-B1
5	15H623	PIPE PLUG	1	3/8", USE WITH MIA11631
6	M153303	SCREW	1	
7	AM135134	FLYWHEEL	1	
7	MIA12501	FLYWHEEL	1	MARKED 31P677-0157-B2 AND 31R977-0005-B1
8	LG691265	SNAP RING	1	
9	LG693713	PINION	1	Starter
10	M147508	SCREW	2	
11	MIU11682	TUBE	1	MARKED 31P677-0131-B1; SUB FOR M147499; Breather
12	M147500	COVER	1	ORDER MIU11631
12	MIU11631	COVER	1	USE WITH MIA11016 AND MIA11631
13	M147564	GASKET	1	MARKED 31P677-0131-B1
13	GASKET	1	MARKED 31P677-0133-B1; Make From M64850
14	M147507	SCREW	2	
15	M147501	BREATHER	1	Reed
16	MIA11419	CYLINDER BLOCK	1	SUB FOR MIA11101 Or AM132374
17	LG399265	BEARING	1	ORDER MIA11778; Bushing W/Seal
17	MIA11778	SEAL KIT	1	Bushing W/Seal
18	LG391086S	SEAL	1	Magneto Side
19	LG690959	DOWEL PIN	2	
20	M147497	BUSHING	1	Governor
21	LG692407	SEAL	1	Governor
22	OIL TUBE	1	
23	T77932	O-RING	1	
24	M144897	CAP	1	
25	AM131611	TUBE	1	Oil Drain
26	AM135143	RESERVOIR	1	ORDER MIA12717; SUB FOR MIA11429
26	MIA12717	RESERVOIR	1	
27	MIA10696	BALL	1	

<https://www.ebooklibonline.com>

Hello dear friend!

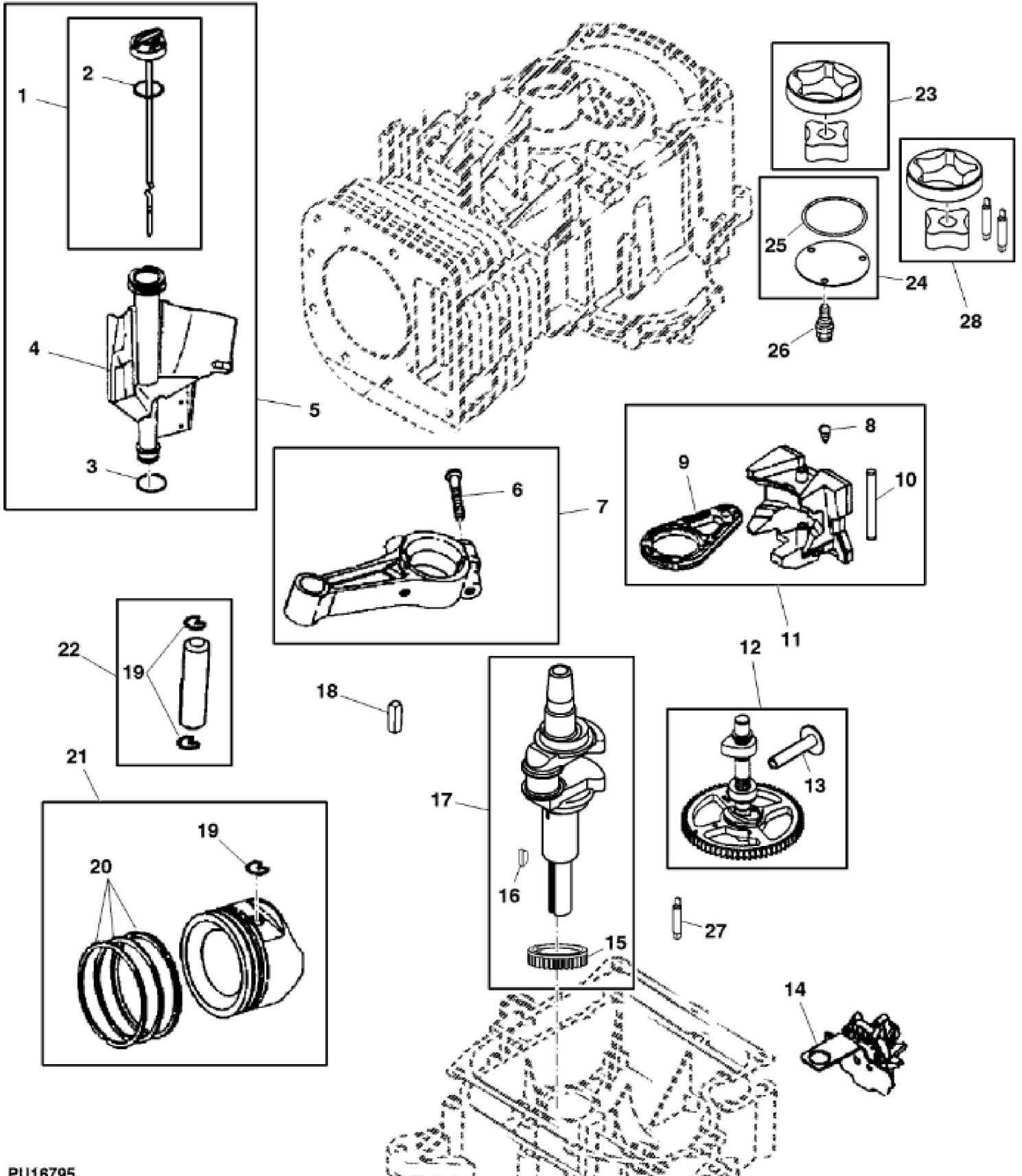
Thank you very much for reading.

Enter the link into your browser.

The full manual is available for immediate download.

<https://www.ebooklibonline.com>

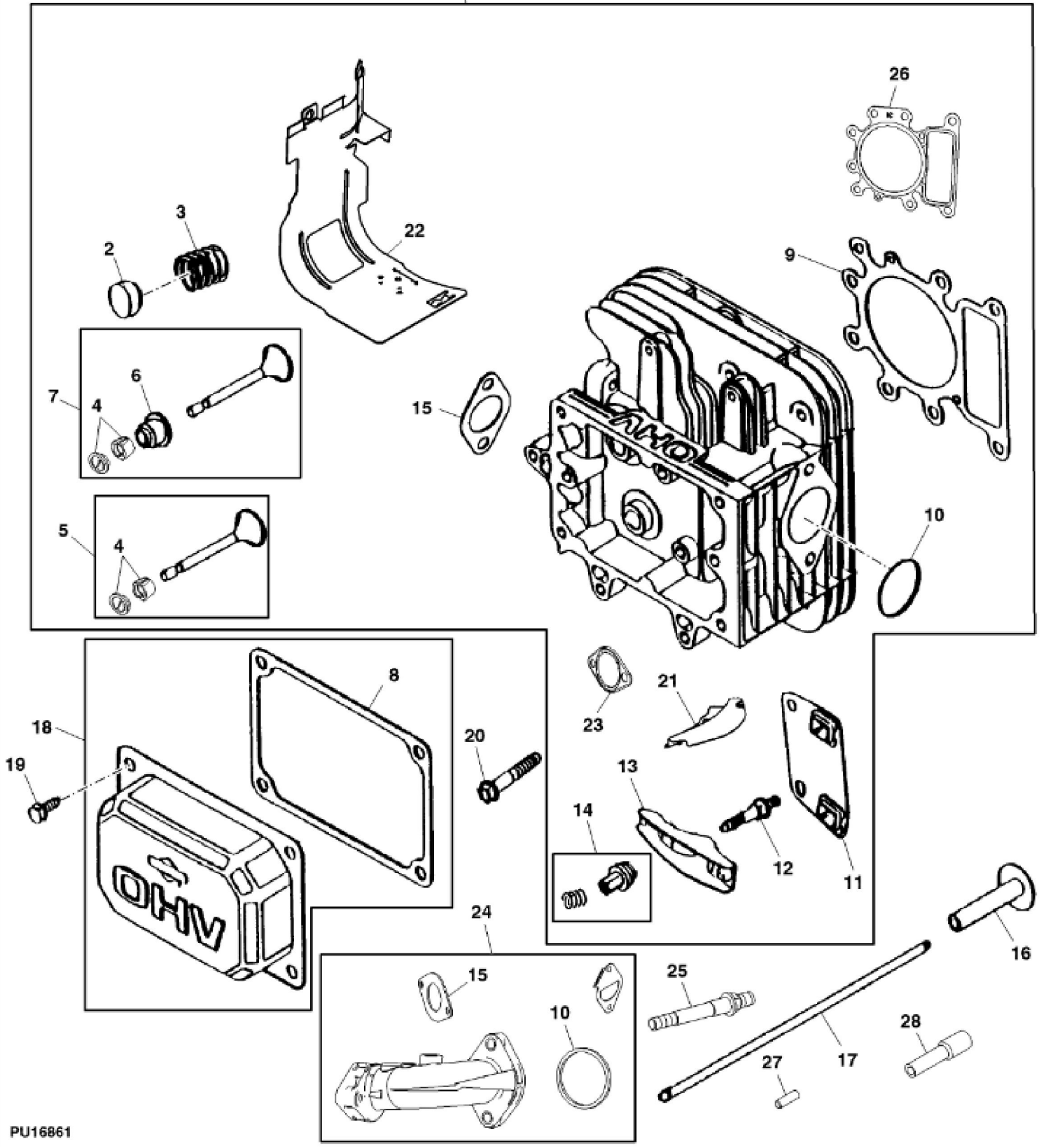
KEY	PART NO.	PART NAME	QTY	REMARKS
28	MIU12709	SCREEN	1	SUB FOR LG690770
29	M147513	GASKET	1	
30	MIU11958	SEAL	1	SUB FOR MIU11212; PTO Side
31	15H638	PIPE PLUG	1	1/8"
32	AM125424	OIL FILTER	1	MARKED 31P677-0244-B1
33	LG692125	CAP SCREW	10	
34	GC00331	BOLT	4	ORDER GX24210; Engine Mounting
34	GX24210	SCREW	4	
35	MIU11635	PLUG	1	(A) MARKED 31P677-0133-B1
36	MIA13017	SCREEN KIT	1	(A) INCLUDES MIU11635; USE WITH MIA11016 AND MIA11631; SUB FOR MIU11634AND MIA11525
37	MIU11638	SCREW	2	(A), MARKED 31P677-0133-B1
38	MIU12139	FAN	1	(A), MARKED 31P677-0133-B1; SUB FOR MIU11637; Flywheel
38	MIU12159	FAN	1	MARKED 31P677-0143-B1
39	PM37469	LTIQUID GASKET	AR	
40	MIU14227	SHIELD	1	USE WITH MIA12853; Cylinder
41	MIA11422	ARMATURE	1	USE WITH MIA12853; SUB FOR MIA12716
42	M144331	ELEC. CONNECTOR TERMINAL	1	USE WITH MIA12853
43	LG691693	BOLT	2	USE WITH MIA12853
44	MIU14366	SCREW	1	USE WITH MIA12853
..	MIA11519	FLYWHEEL KIT	1	Includes Parts Marked (A)
..	MIA10939	GASOLINE ENGINE	1	MARKED 31P677-0131-B1; ORDER MIA11631
..	MIA11016	GASOLINE ENGINE	1	MARKED 31P677-0133-B1; ORDER MIA11631
..	AM134602	SHORT BLOCK ASSEMBLY	1	ORDER MIA11631
..	MIA11413	GASOLINE ENGINE	1	ORDER MIA11631
..	MIA11631	GASOLINE ENGINE	1	MARKED 31P677-0120-B1
..	MIA12853	GASOLINE ENGINE	1	MARKED 31R877-0021-B1



John Deere > Turf And Utility >TRACTOR, LAWN AND GARDEN >X120 - TRACTOR, LAWN AND GARDEN >X120 Tractor (100 Series) with 42-Inch Mower Deck >20 ENGINE GU20647, GU20828 >ST201333
 - CRANKSHAFT, PISTON AND DIPSTICK

KEY	PART NO.	PART NAME	QTY	REMARKS
1	AM135145	DIPSTICK	1	
2	LG691031	O-RING	1	
3	LG691032	SEAL	1	
4	M152554	DIPSTICK TUBE	1	
5	AM135144	DIPSTICK TUBE	1	
6	MIU11051	SCREW	2	
7	MIA11126	CONNECTING ROD	1	(SUB FOR MIA10693)
8	MIU11437	PLUG	1	
9	MIU11436	LINK	2	
10	M152556	PIN	2	
11	MIA10989	COUNTERWEIGHT	1	
12	MIA11377	CAMSHAFT	1	(SUB FOR MIA10695 OR MIA11157)
13	LG690564	TAPPET	2	
14	LG691968	GOVERNOR	1	
15	M147512	GEAR	1	TIMING
16	LG691639	SHAFT KEY	1	
17	MIA10982	CRANKSHAFT	1	
17	MIA12499	CRANKSHAFT	1	USE WITH MIA12438 AND MIA12612
18	LG222698S	SHAFT KEY	1	Fly Wheel
18	MIU13972	KEY	1	USE WITH MIA12438 AND MIA12612; Fly Wheel
19	M152553	LOCK	2	
20	MIA10691	PISTON RING KIT	1	STD.
20	MIU11639	PISTON RING KIT	1	.50 MM (.020") , OS
21	MIA11421	PISTON	1	(SUB FOR MIA10690)
21	MIA11430	PISTON	1	(SUB FOR MIA10918)
22	AM132347	PISTON PIN	1	
22	MIA11423	PISTON PIN	1	(USE WITH MIA11413 AND MIA11631)
23	LG499054	OIL PUMP	1	(ENGINE MARKED 31P677-0131-B1) (SUB MIA11172)
24	LG499613	COVER	1	
25	LG690589	SEAL	1	
26	MIU11119	SCREW	3	
27	M148242	SHAFT	1	(NLA) (SUB MIA11172)
28	MIA11172	OIL PUMP	1	(ENGINE MARKED 31P677-0133-B1)

1





Suggest:

For more complete manuals. Please go to the home page.

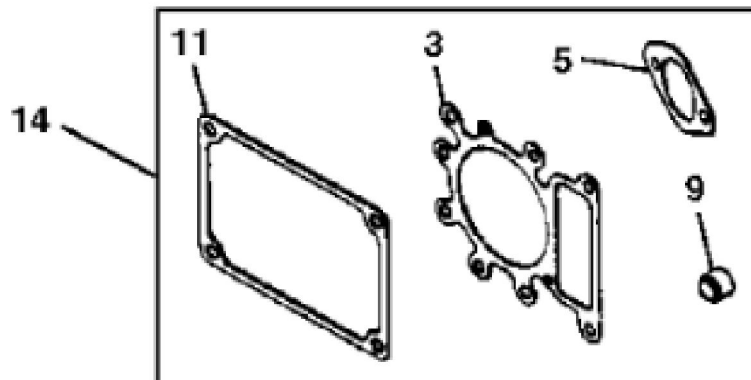
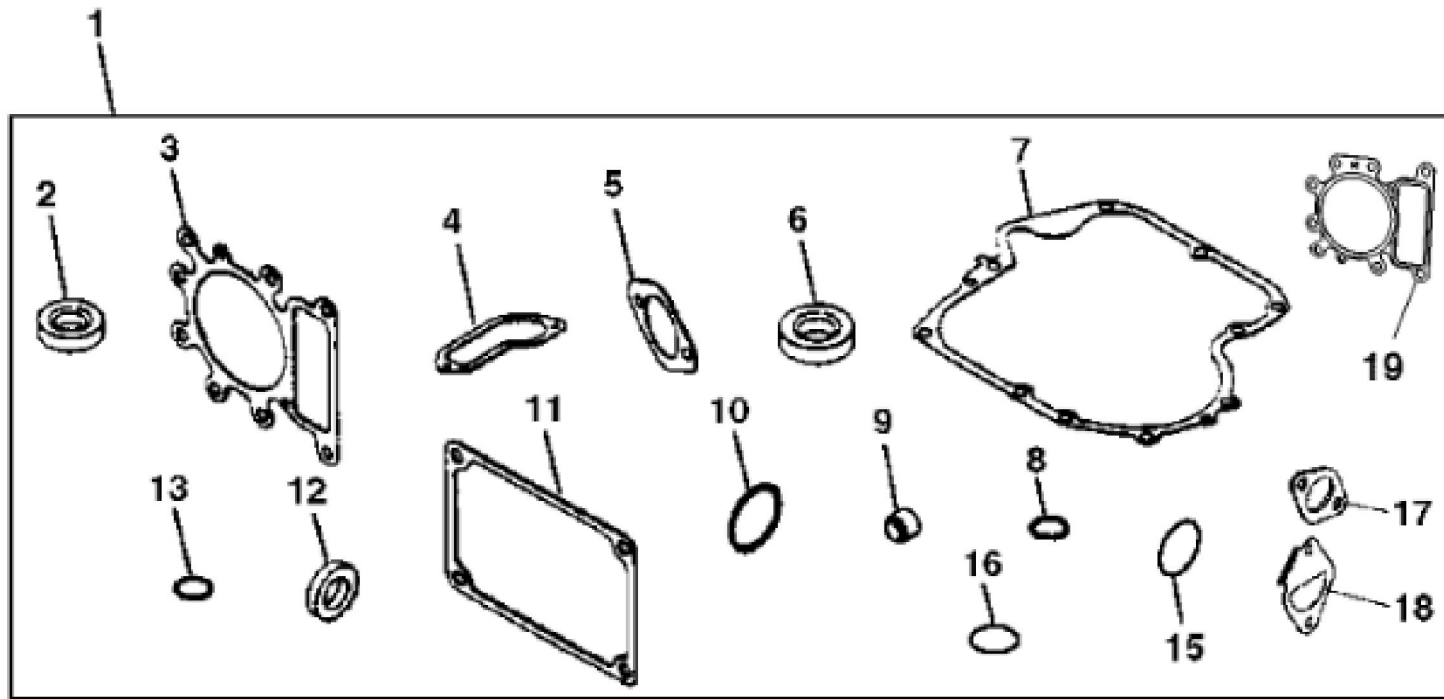
<https://www.ebooklibonline.com>

If the above button click is invalid. Please download this document first, and then click the above link to download the complete manual.

Thank you so much for reading

- CYLINDER HEAD

KEY	PART NO.	PART NAME	QTY	REMARKS
1	MIA11468	CYLINDER HEAD	1	SUB FOR MIA11079 OR MIA11420 OR MIA10917
2	LG691843	CAP	2	
3	LG691279	SPRING	2	
4	LG499586	RETAINER	2	
5	MIA11214	EXHAUST VALVE	1	SUB FOR MIA10688
6	LG690968	SEAL	1	
7	MIA10689	INTAKE VALVE	1	
8	LG272475S	GASKET	1	
8	GASKET	1	ENGINE MARKED 31P677-0133-B1; MAKE FROM M64850
9	MIU11490	ENGINE CYLINDER HEAD GASKET	1	SUB FOR M150400
10	LG692138	O-RING	1	
11	LG690822	GUIDE	1	
12	LG691095	STUD	2	
13	LG691751	ROCKER ARM	2	
14	LG691986	ADJUSTER	2	
15	M144311	GASKET	1	Intake
16	LG690564	TAPPET	2	
17	LG692003	PUSH ROD	1	Intake
17	LG692011	PUSH ROD	1	Exhaust
18	MIU12708	COVER	1	INCLUDES LG272475S; SUB FOR MIU11055)
19	LG691108	SCREW	4	
19	37H74	SCREW	4	USE WITH MIA11413 AND MIA11631
20	LG690360	BOLT	8	ENGINE MARKED 31P677-0131-B1
20	MIU14366	SCREW	8	SUB FOR MIU11632
21	M152565	GUARD	1	USE WITH MIA11079; Fly Wheel
22	MIU11713	SHIELD	1	Cylinder
22	MIU14227	SHIELD	1	MARKED 31R977-0005-B1
23	LG692236	GASKET	1	Exhaust
24	MIA12715	MANIFOLD KIT	1	USE WITH MIA12853; Intake
25	MIU13916	STUD	2	USE WITH MIA12853
26	MIU12707	GASKET	1	USE WITH MIA12853; Cylinder Head
27	LG690959	DOWEL PIN	2	USE WITH MIA12853; Dowel
28	LG691909	BOOT	1	USE WITH MIA12853; Spark Plug



PU16797

<https://www.ebooklibonline.com>

Hello dear friend!

Thank you very much for reading.

Enter the link into your browser.

The full manual is available for immediate download.

<https://www.ebooklibonline.com>