

KEY	PART NO.	PART NAME	QTY	REMARKS
1	M147493	SCREEN	1	(Engine Marked31P707-0126-B1)(Sub MIU11503)
2	M152566	SCREW	4	(Engine Marked 31P707-0126-B1)
3	MIU12152	SCREW	2	(Engine Marked 31P707-0126-B1) (Sub For LG690372)
4	MIU11503	FAN	1	NLA (Engine Marked 31P707-0126-B1) (Sub For M152561) (Sub MIA11519)
5	LG690946	DRAIN PLUG	1	NLA; ORDER 15H623 (Use With MIA11630)
5	15H623	PIPE PLUG	1	3/8"
6	M153303	SCREW	1	
7	AM135134	FLYWHEEL	1	
8	LG691265	SNAP RING	1	
9	LG693713	PINION	1	Starter
10	M147508	SCREW	2	
11	MIU11682	TUBE	1	Breather (Sub For M147499)
12	M147500	COVER	1	NLA, ORDER MIU11631(Engine Marked 31P707-0126-B1)
12	MIU11631	COVER	1	(Engine Marked 31P707-0130-B1) Breather Passage
13	GASKET	1	(Make From M64850)
14	M147507	SCREW	2	
15	M147501	BREATHER	1	Reed
16	MIA11419	CYLINDER BLOCK	1	(Sub For AM132374 Or MIA11101)
17	LG399265	BEARING	1	NLA; ORDER MIA11778; Bushing W/Seal
17	MIA11778	SEAL KIT	1	Bushing W/Seal
18	LG391086S	SEAL	1	(Magneto Side)
19	LG690959	DOWEL PIN	2	
20	M147497	BUSHING	1	Governor
21	LG692407	SEAL	1	Governor
22	OIL TUBE	1	
23	T77932	O-RING	1	
24	M144897	CAP	1	
25	AM131611	TUBE	1	Oil Drain
26	AM132352	RESERVOIR	1	
27	MIA10696	BALL	1	(NLA)
28	LG690770	SCREEN	1	
29	M147513	GASKET	1	
30	MIU11958	SEAL	1	PTO Side (Sub For MIU11212)

<https://www.ebooklibonline.com>

Hello dear friend!

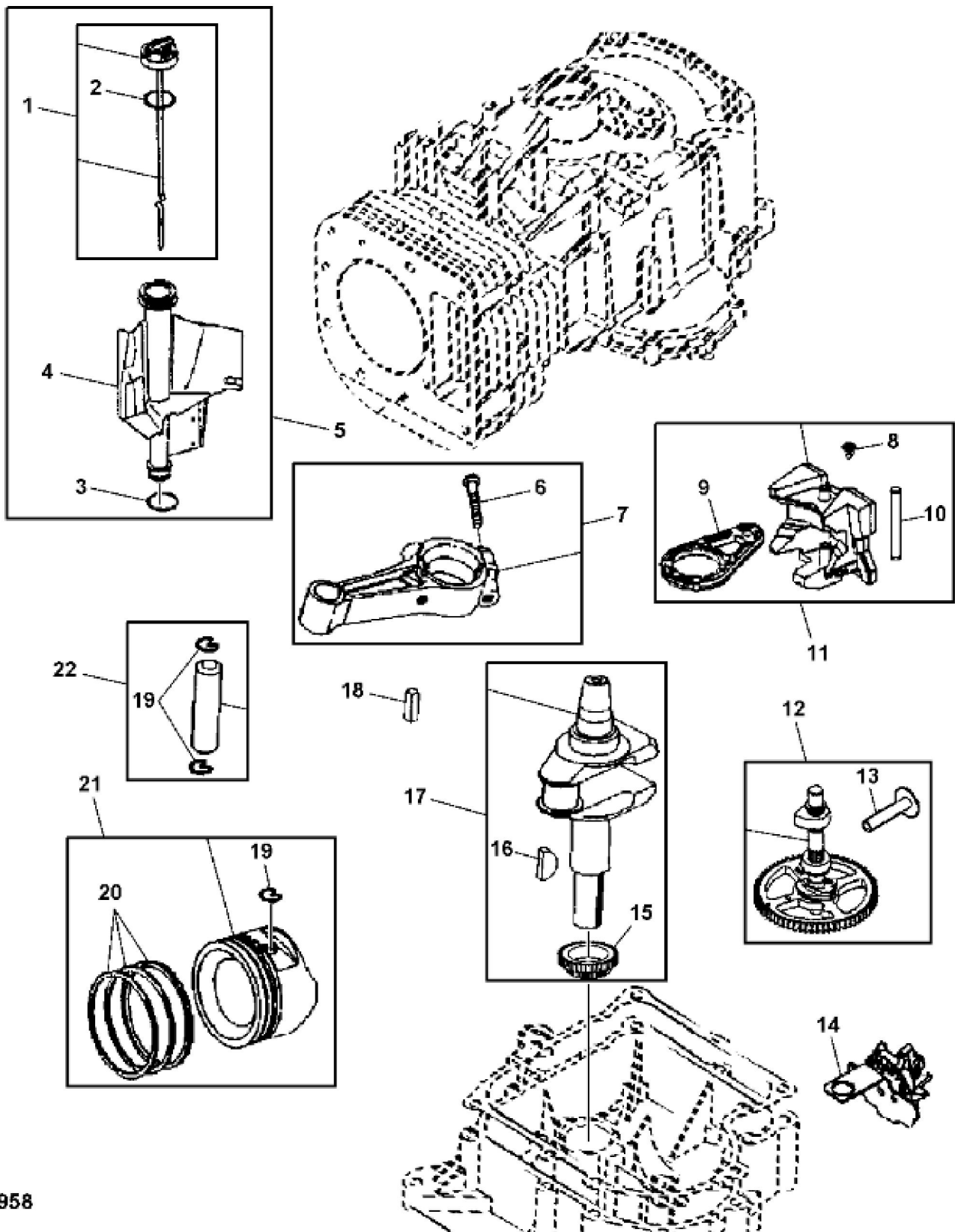
Thank you very much for reading.

Enter the link into your browser.

The full manual is available for immediate download.

<https://www.ebooklibonline.com>

KEY	PART NO.	PART NAME	QTY	REMARKS
31	15H638	PIPE PLUG	1	1/8"
32	AM125424	OIL FILTER	1	
33	LG692125	CAP SCREW	10	
34	GC00331	SCREW	1	NLA; ORDER GX24210; Engine Mounting
34	GX24210	SCREW	1	
35	MIU11635	PLUG	1	(Not Illustrated) MARKED 31P707-0130-B1
36	MIA13017	SCREEN KIT	1	(Not Illustrated) MARKED 31P707-0130-B1; SUB FOR MIU11634 AND MIA11525
37	MIU11638	SCREW	2	(A) (Engine Marked 31P707-0130-B1)
38	MIU12139	FAN	1	(A) (Sub For MIU11637 Flywheel)
39	PM37469	LIQUID GASKET	1	Tube
40	MIA11519	FLYWHEEL KIT	1	
41	MIA10938	GASOLINE ENGINE	1	(Not Illustrated) MARKED 31P707-0126-B1; ORDER MIA12611
41	MIA11013	GASOLINE ENGINE	1	(Not Illustrated) MARKED 31P707-0130-B1; ORDER MIA12611
41	MIA11373	GASOLINE ENGINE	1	(Not Illustrated) MARKED 31P707-0372-B1; ORDER MIA12611
41	AM135275	SHORT BLOCK ASSEMBLY	1	(Not Illustrated) MARKED 31P707-0130-B1; ORDER MIA12611
41	MIA11412	GASOLINE ENGINE	1	(Not Illustrated) ORDER MIA12611
41	MIA11630	GASOLINE ENGINE	1	(Not Illustrated) MARKED 31P707-0149-B1; ORDER MIA12611
41	MIA11888	GASOLINE ENGINE	1	(Not Illustrated) ORDER MIA12611
41	MIA12064	GASOLINE ENGINE	1	ORDER MIA12611
41	MIA12223	GASOLINE ENGINE	1	(Not Illustrated) ORDER MIA12611
41	MIA12435	GASOLINE ENGINE	1	(Not Illustrated) ORDER MIA12611
41	MIA12611	GASOLINE ENGINE	1	(Not Illustrated)



PU00958

John Deere > Turf And Utility >TRACTOR, LAWN AND GARDEN >X110 - TRACTOR, LAWN AND GARDEN >X110 Tractor (100 Series) with 42-Inch Mower Deck >20 ENGINE GU20644 >ST244981 - CRANKSHAFT, PISTON AND DIPSTICK

KEY	PART NO.	PART NAME	QTY	REMARKS
1	AM135145	DIPSTICK	1	
2	LG691031	O-RING	1	
3	LG691032	SEAL	1	
4	M152554	DIPSTICK TUBE	1	
5	AM135144	DIPSTICK TUBE	1	
6	MIU11051	SCREW	2	
7	MIA10624	CONNECTING ROD	1	STANDARD
7	MIA11424	CONNECTING ROD	1	STANDARD (USE WITH MIA11373)
8	MIU11437	PLUG	1	
9	MIU11436	LINK	2	
10	M152556	PIN	1	
11	MIA10989	COUNTERWEIGHT	1	(ENGINE MARKED 31P707-0126-B1)
11	AM132354	COUNTERWEIGHT	1	ENGINE MARKED 31P707-0130-B1 SUB MIA10989)
12	MIA11377	CAMSHAFT	1	ENGINE MARKED 31P707-0126-B1 OR 31P707-0149-B1; SUB FOR MIA10915
12	MIA11157	CAMSHAFT	1	(ENGINE MARKED 31P707-0130-B1) (ENGINE MARKED 31P707-0372-B1) (SUB MIA11377)
13	LG690564	TAPPET	2	
14	LG691968	GEAR	1	GOVERNOR
15	M147512	GEAR	1	TIMING
16	LG691639	SHAFT KEY	1	
17	MIA11844	CRANKSHAFT	1	(SUB FOR AM132351)
18	LG222698S	SHAFT KEY	1	FLYWHEEL
19	M152553	LOCK	2	
20	MIA10691	PISTON RING KIT	2	(ENGINE MARKED 31P707-0126-B1) STANDARD
20	MIU11639	PISTON RING KIT	1	.50MM (.20"), OS (ENGINE MARKED 31P707-0130-B1)
20	MIA10692	PISTON RING KIT	1	.50 MM (.020"), OS (SUB MIU11639)
21	MIA11421	PISTON	1	(SUB FOR MIA10981 OR MIA10690)STANDARD
21	MIA11430	PISTON	1	.50 MM (.020"), OS (SUB FOR MIA10858 OR MIA10918)
22	AM132347	PISTON PIN	1	
22	MIA11423	PISTON PIN	1	STANDARD (USE WITH MIA11373)



Suggest:

For more complete manuals. Please go to the home page.

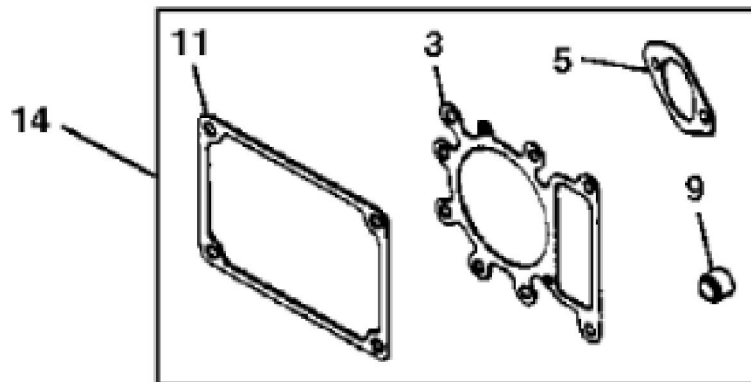
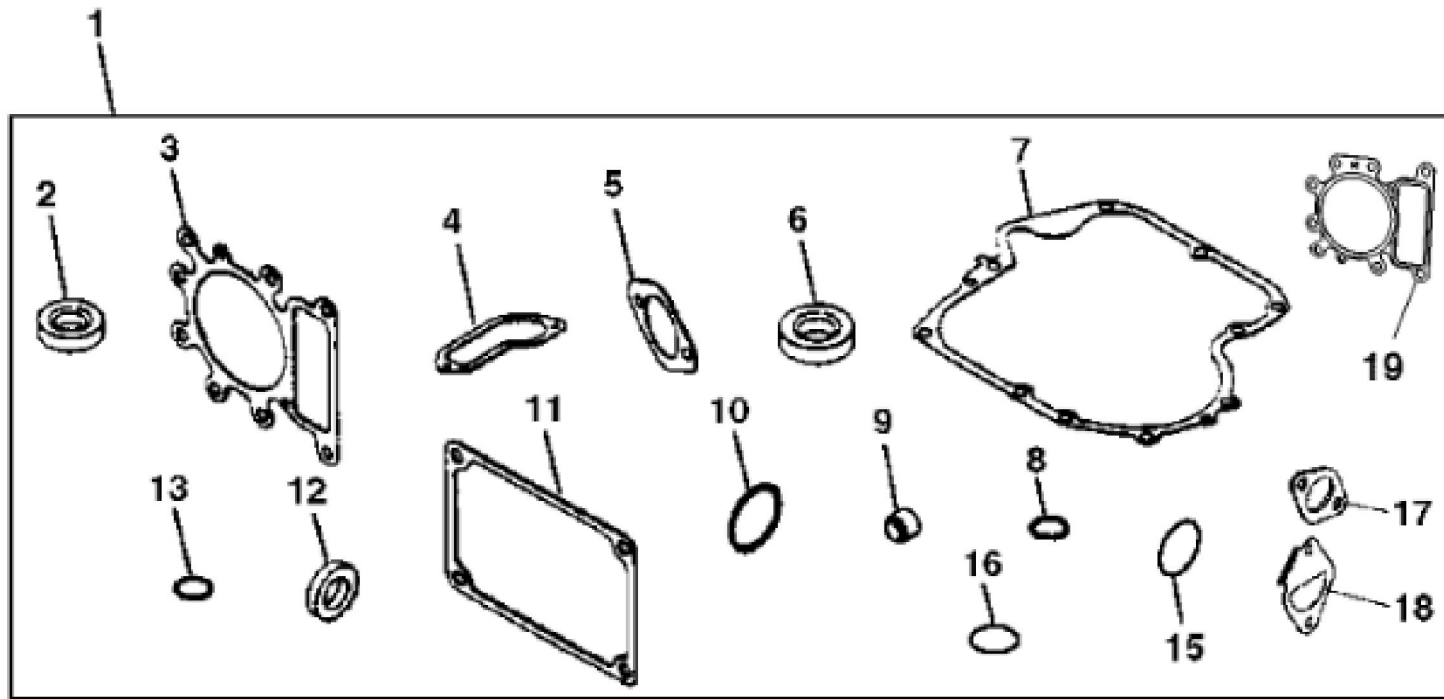
<https://www.ebooklibonline.com>

If the above button click is invalid. Please download this document first, and then click the above link to download the complete manual.

Thank you so much for reading

CYLINDER HEAD

KEY	PART NO.	PART NAME	QTY	REMARKS
1	MIA11468	CYLINDER HEAD	1	(SUB FOR MIA10785 OR MIA10917 OR MIA11079 OR MIA11420)
2	LG691843	CAP	2	VALVE
3	LG691279	SPRING	2	
4	LG499586	RETAINER	1	
5	MIA11214	VALVE	1	(SUB FOR MIA10688)
6	LG690968	SEAL	1	VALVE
7	MIA10689	INTAKE VALVE	1	
8	LG272475S	GASKET	1	
8	GASKET	AR	(ENGINE MARKED 31P707-0130-B1) (MAKE FROM M64850)
9	MIU11490	ENGINE CYLINDER HEAD GASKET	1	(SUB FOR M150400)
10	LG692138	O-RING	1	SEAL
11	LG690822	GUIDE	1	PUSH ROD
12	LG691095	STUD	2	ROCKER ARM
13	LG691751	ROCKER ARM	2	
14	LG691986	ADJUSTER	2	VALVE
15	M144311	GASKET	1	INTAKE
16	LG690564	TAPPET	2	VALVE
17	LG692003	PUSH ROD	1	INTAKE
17	LG692011	PUSH ROD	1	EXHAUST
18	MIU12708	COVER	1	ROCKER ARM (INCLUDES LG272475S) (SUB FOR MIU11055)
19	LG691108	SCREW	4	
19	37H74	SCREW	4	(USE WITH MIA11373)
20	LG690360	BOLT	8	(ENGINE MARKED 31P707-0126-B1)
20	MIU14366	SCREW	8	Engine MARKED 31P707-0130-B1; SUB FOR MIU11632
21	M152565	GUARD	1	(FLYWHEEL) (USE WITH MIA11079)
22	MIU11713	SHIELD	1	CYLINDER
23	LG692236	GASKET	1	EXHAUST



PU16797

<https://www.ebooklibonline.com>

Hello dear friend!

Thank you very much for reading.

Enter the link into your browser.

The full manual is available for immediate download.

<https://www.ebooklibonline.com>