

MP15573

KEY	PART NO.	PART NAME	QTY	REMARKS
1	AM125352	HEAD KIT	1	(12.5 HP, 13 HP, 14 HP), CYLINDER (SUB FOR AM124389, AM119710, AM122471 OR AM124388)
2	MIU13278	VALVE LIFTER	2	Valve; SUB FOR M92196 or M131283 or M137271 or MIU11034 or MIU12989
3	M149342	PUSH ROD	2	(SUB FOR M92197)
4	M92198	ENGINE CYLINDER HEAD GASKET	1	(12.5 HP, 13 HP, 14 HP)
4	ENGINE CYLINDER HEAD GASKET	1	(15 HP), (ORDER AM130690 GASKET KIT)
5	INTAKE VALVE	1	(B) (F) (STD) (ORDER AM117021)
5	INTAKE VALVE	1	.25 MM (.010") OS, (A) (F) (ORDER AM117034)
6	M92201	VALVE		(C) (E)
6	EXHAUST VALVE	1	.25 MM (.010") OS, (A) (E) (ORDER AM117034)
7	M120417	WASHER	1	
8	M120286	SPACER	1	(HEAD BOLT, EXHAUST PORT)
9	M149264	BOLT	5	CYLINDER HEAD, (SUB FOR M92367)
10	AM119711	VALVE KIT	1	EXHAUST (INCLUDES PARTS MARKED (E))
11	AM119712	INTAKE VALVE	1	ORDER AM107043 , M146624 , M92200 AND M92203 ; Not Illustrated
12	M146624	VALVE		(A) (C)
13	M92203	CAP	1	(A) (B) (C)
14	AM107043	RETAINER	2	
15	AM117016	BREATHER KIT	1	REED VALVE;ORDER M153533,M92210 And M93483
16	SPRING	1	(A) (B)
17	TY22462	CLAMP	2	HOSE
18	M92212	HOSE	1	VALVE COVER VENT
19	37M7131	SCREW	4	M6 X 20
20	AM132623	VALVE COVER	1	(SUB FOR M92209)
21	AM124387	KIT	1	ROCKER ARM (INCLUDES PARTS MARKED (D)) (SUB FOR AM119709)
22	ROCKER ARM	2	(D)
23	BALL	2	(D)
24	SCREW	2	(D)
25	M93483	SCREW	1	
26	M153533	RETAINER	1	BREATHER
27	M92210	BEAM	1	BREATHER

<https://www.ebooklibonline.com>

Hello dear friend!

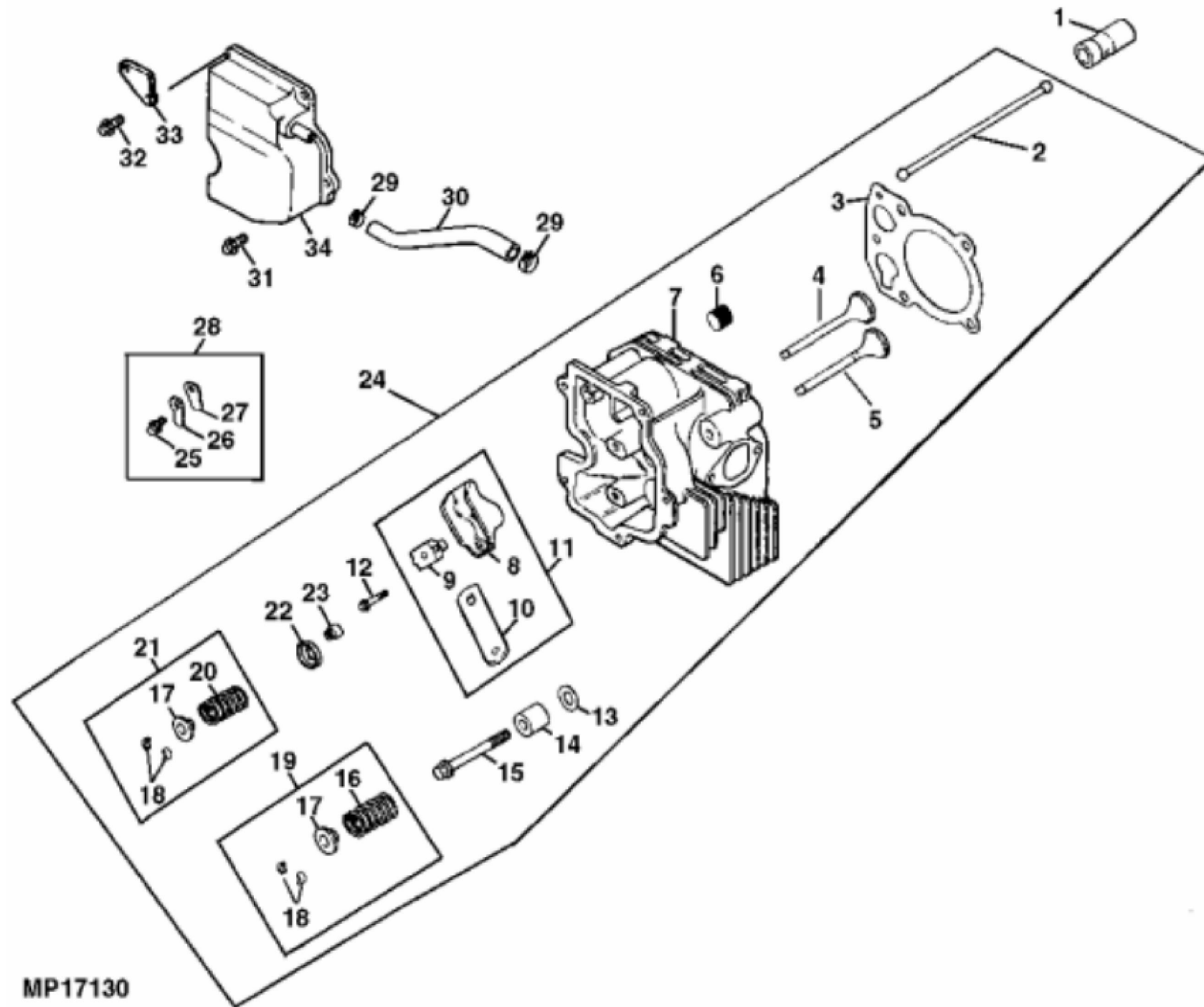
Thank you very much for reading.

Enter the link into your browser.

The full manual is available for immediate download.

<https://www.ebooklibonline.com>

KEY	PART NO.	PART NAME	QTY	REMARKS
28	M120567	PLATE	1	GUIDE (NLA) (ORDER AM124387)
29	M124985	STRAP	1	LIFT, (SUB FOR M92366)
30	37M7091	SCREW	1	M6 X 25
31	M43123	RETAINER	1	(A) (B) UPPER
32	M146775	SEAL	1	(15 HP), (A) (B) (SUB FOR M92202)
33	15H558	PIPE PLUG	1	1/8", HEX
34	CYLINDER HEAD	1	
35	AM117034	KIT	1	OVERSIZE VALVE (INCLUDES PARTS MARKED (A)) (SUB COMPONENTS);Not Illustrated
36	AM117021	VALVE KIT	1	INTAKE (STD) (INCLUDES PARTS MARKED (B));Not Illustrated
36	AM117033	VALVE KIT	1	NLA; ORDER M146624, M92201 and M92203; EXHAUST (STD) (INCLUDES PARTS MARKED (C));Not Illustrated
37	PM37463	LIQUID GASKET	1	(USE WITH AM132623) (SUB FOR TY15130 OR TY24344);Not Illustrated



MP17130

KEY	PART NO.	PART NAME	QTY	REMARKS
1	MIU13278	VALVE LIFTER	2	Valve; SUB FOR M92196 or M131283 or M137271 or MIU11034 or MIU12989
2	M149342	PUSH ROD	2	(SUB FOR M92197)
3	M92198	ENGINE CYLINDER HEAD GASKET	1	(12.5 HP, 13 HP, 14 HP)
3	M124986	ENGINE CYLINDER HEAD GASKET	1	(15 HP)
4	AM119712	INTAKE VALVE	1	ORDER AM107043 , M146624 , M92200 AND M92203
4	INTAKE VALVE	1	.25 MM (.010") OS, (A) (F) (ORDER AM117034 OR AM119712)
5	M92201	VALVE		(C) (E); VALVE, EXHAUST
5	EXHAUST VALVE	1	.25 MM (.010") OS, (A) (E) (ORDER AM117034 OR AM119711)
6	15H558	PIPE PLUG	1	1/8", HEX
7	CYLINDER HEAD	1	(12.5 HP, 13 HP, 14 HP), (ORDER AM125352) (SUB FOR AM124389)
7	CYLINDER HEAD	1	(15HP), (ORDER AM125352) (SUB FOR AM124388)
8	M131133	ROCKER ARM	2	
9	M131132	PIVOT	2	
10	M131131	SPACER	1	
11	AM124387	KIT	1	ROCKER ARM
12	19M8290	SCREW	1	M6 X 35, GUIDE
13	M120417	WASHER	1	
14	M120286	SPACER	1	(HEAD BOLT, EXHAUST PORT)
15	M149264	SCREW	5	CYLINDER HEAD, (SUB FOR M92367)
16	M146624	SPRING	2	(A) (C); VALVE, SPRING
17	M92203	CAP	2	(A) (B) (C)
18	AM107043	RETAINER	2	
19	AM119711	VALVE KIT	1	EXHAUST (INCLUDES PARTS MARKED (E))
20	M146624	SPRING	2	(A) (B)
21	AM119712	VALVE KIT	1	INTAKE (INCLUDES PARTS MARKED (F))
22	M43123	RETAINER	1	(A) (B) UPPER
23	M146775	SEAL	1	(15 HP), (A) (B) (SUB FOR M92202)
24	AM125352	KIT	1	(12.5 HP, 13 HP, 14 HP), CYLINDER HEAD, (SUB FOR AM124389)
24	AM125352	KIT	1	(15 HP), CYLINDER HEAD, (SUB FOR AM124388)



Suggest:

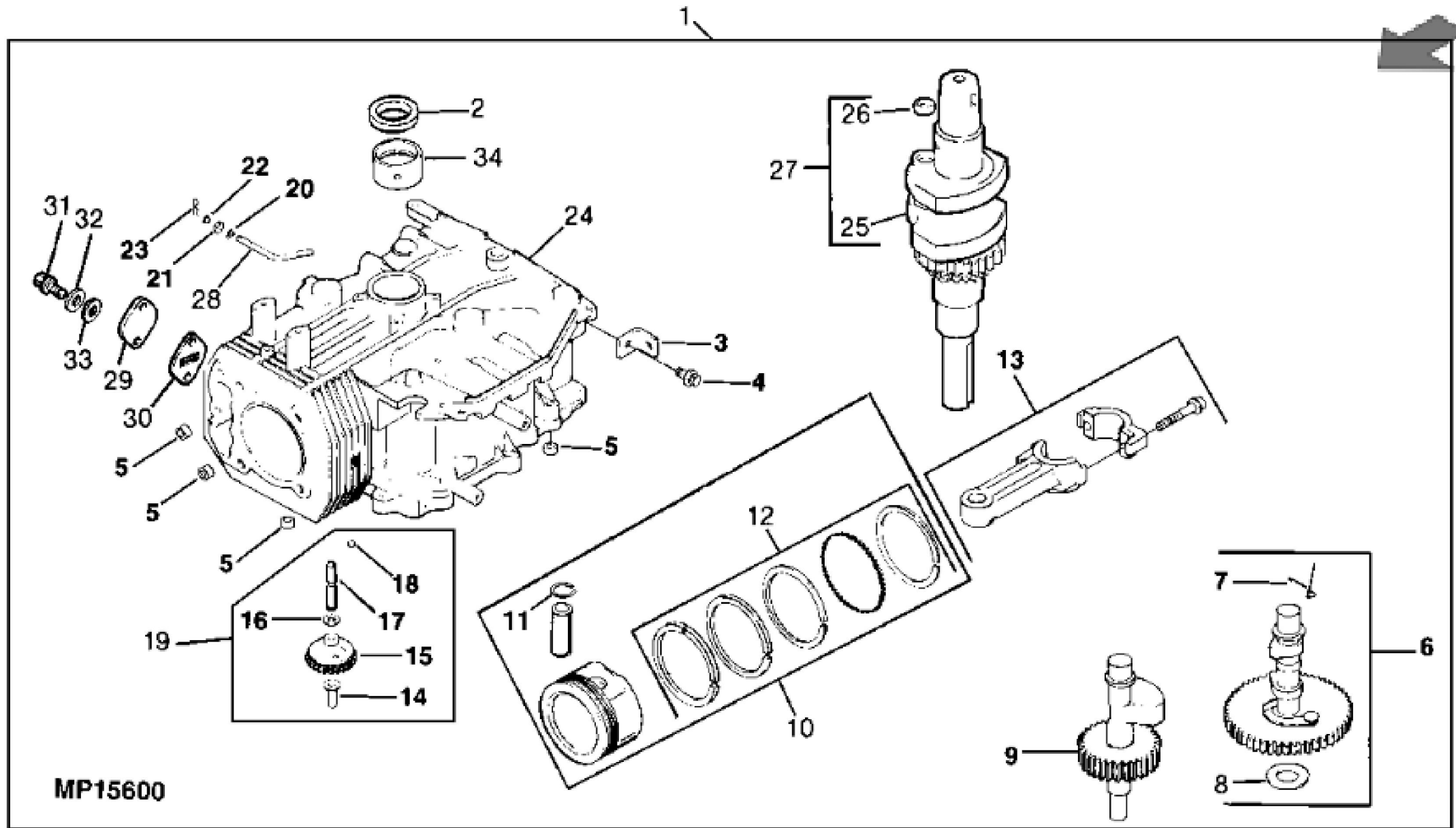
For more complete manuals. Please go to the home page.

<https://www.ebooklibonline.com>

If the above button click is invalid. Please download this document first, and then click the above link to download the complete manual.

Thank you so much for reading

KEY	PART NO.	PART NAME	QTY	REMARKS
25	M93483	SCREW	1	
26	M153533	RETAINER	1	BREATHER
27	M92210	BEAM	1	BREATHER
28	AM117016	KIT	1	REED VALVE;ORDER M153533,M92210 And M93483
29	TY22462	CLAMP	2	
30	M92212	HOSE	1	
31	37M7131	SCREW	4	M6 X 20, VALVE COVER VENT
32	37M7091	SCREW	1	M6 X 25
33	M124985	STRAP	1	LIFT, (SUB FOR M92366)
34	AM132623	VALVE COVER	1	(SUB FOR M92209)
35	AM117034	KIT	1	OVERSIZE VALVE (INCLUDES PARTS MARKED (A)) (SUB COMPONENTS);Not Illustrated
36	AM117021	VALVE KIT	1	INTAKE (STD) (INCLUDES PARTS MARKED (B));Not Illustrated
36	AM117033	VALVE KIT	1	NLA; ORDER M146624, M92201 and M92203; EXHAUST (STD) (INCLUDES PARTS MARKED (C));Not Illustrated
37	PM37463	LIQUID GASKET	1	(USE WITH M92209) (SUB FOR TY15130 OR TY24344);Not Illustrated



<https://www.ebooklibonline.com>

Hello dear friend!

Thank you very much for reading.

Enter the link into your browser.

The full manual is available for immediate download.

<https://www.ebooklibonline.com>