

| KEY | PART NO. | PART NAME | QTY | Serial No. | REMARKS |
|-----|-----------|-----------------|-----|------------|---|
| 1 | LG692545 | CYLINDER | 1 | | |
| 2 | LG805101S | SEAL | 1 | | |
| 3 | LG808534 | BUSHING | 1 | | |
| 4 | AM131315 | BREATHER | 1 | | |
| 5 | M145399 | DOWEL PIN | 1 | | (SUB FOR LG690684) |
| 6 | AM125424 | OIL FILTER | 1 | | |
| 7 | LG808235 | ADAPTER FITTING | 1 | | (INCLUDES GASKET) |
| 8 | LG691145 | CLAMP | 4 | | |
| 9 | MIA10503 | KIT | 1 | | HOSE AND CLAMP, (SUB FOR LG499501) |
| 10 | 15H623 | PIPE PLUG | 1 | | 3/8" |
| 11 | LG692063 | GASKET | 1 | | |
| 12 | LG690706 | LOCK WASHER | 1 | | |
| 13 | LG690682 | STUD | 1 | | |
| 14 | LG690679 | CAP SCREW | 1 | | |
| 15 | M146343 | GASKET | 1 | | BREATHER, (SUB FOR LG807688) |
| 16 | AM131315 | BREATHER | 1 | | (SUB FOR M143320) |
| 17 | LG690751 | SCREW | 1 | | |
| 18 | MIU11524 | SCREW | 1 | | (NLA) (ORDER 19M7269) (SUB FOR LG692540) |
| 19 | LG806083S | TUBE | 1 | | BREATHER |
| 20 | LG690686 | PLATE | 1 | | BREATHER |
| 21 | LG691550 | RETAINER | 1 | | |
| 22 | LG690680 | SEAL | 1 | | |
| 23 | LG690701 | BUSHING | 1 | | |
| 24 | M144914 | BUSHING | 1 | | |
| 25 | AM131177 | CRANK | 1 | | GOVERNOR |
| 26 | LG805049S | SEAL | 2 | | |
| 27 | LG690704 | WASHER | 1 | | |
| 28 | MIU12287 | GASKET | 1 | | NLA; ORDER MIU11265; SUB FOR LG691684; Crankcase |
| 28 | MIU11265 | GASKET | 1 | | NLA; ORDER MIU13345 |
| 28 | MIU13345 | GASKET | 1 | | NLA; ORDER MIU14235 |
| 28 | MIU14235 | GASKET | 1 | | |
| 29 | LG692154 | SEAL | 1 | | |
| 30 | MIA11613 | CRANKCASE | 1 | | (SUB FOR AM131176) |
| 31 | 19M7798 | SCREW | 4 | | M8 X 40, (ENGINE MOUNTING) |

<https://www.ebooklibonline.com>

Hello dear friend!

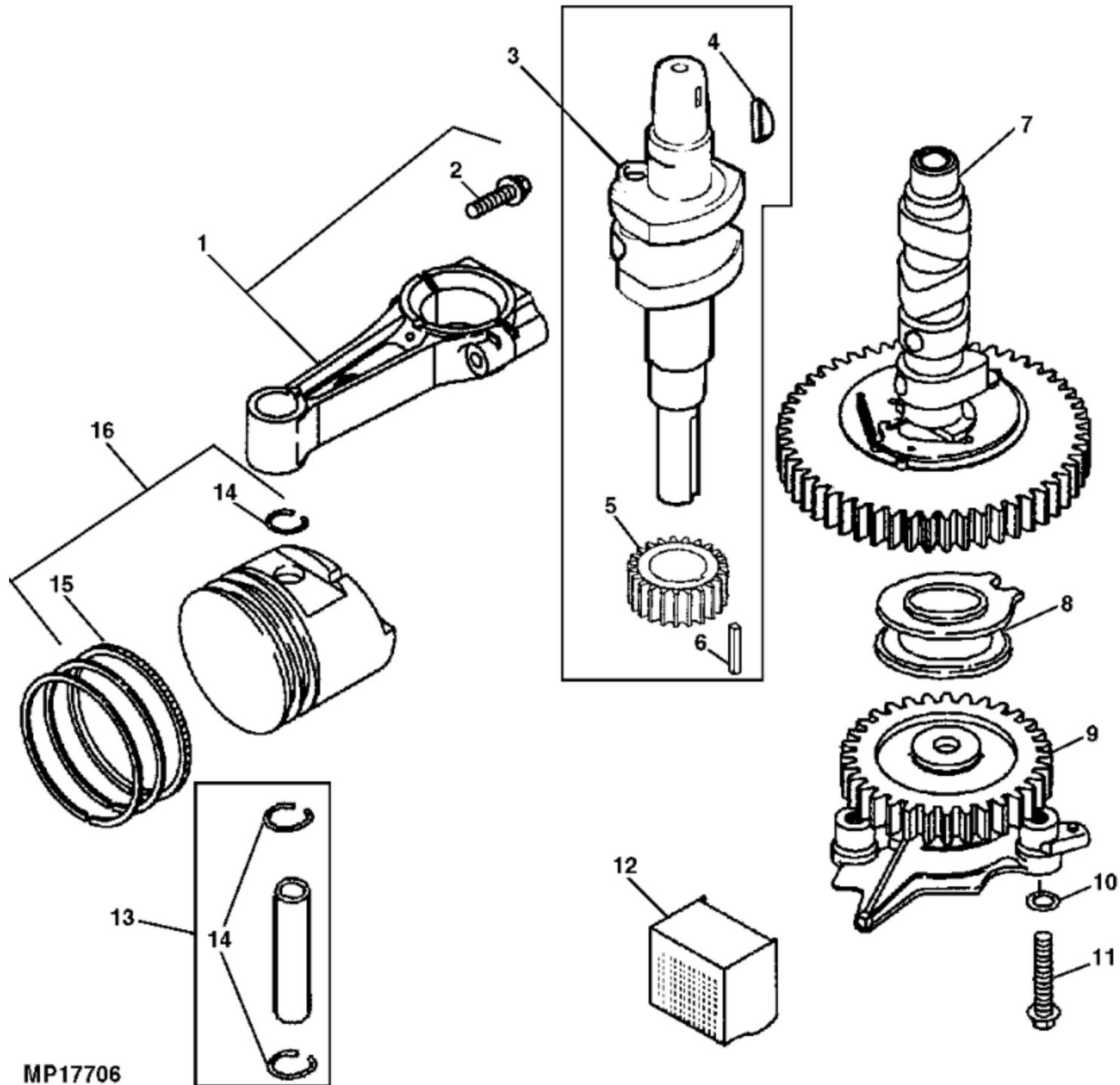
Thank you very much for reading.

Enter the link into your browser.

The full manual is available for immediate download.

<https://www.ebooklibonline.com>

| KEY | PART NO. | PART NAME | QTY | Serial No. | REMARKS |
|-----|----------|-----------------|-----|-------------|-----------------------|
| 32 | 14M7298 | FLANGE NUT | 4 | | M8, (ENGINE MOUNTING) |
| 33 | LG692053 | SEAL | 1 | | |
| 34 | LG691870 | SEAL | 1 | | |
| 35 | LG692093 | TUBE | 1 | | |
| 36 | M132015 | THREADED NIPPLE | 1 | ____-050000 | |
| 37 | M126875 | CAP | 1 | ____-050000 | |
| 38 | M144897 | CAP | 1 | 050001-____ | |
| 39 | R27166 | O-RING | 1 | 050001-____ | |
| 40 | | TUBE | 1 | 050001-____ | |
| 41 | AM131611 | DRAIN PLUG | 1 | 050001-____ | OIL DRAIN |
| 42 | M147829 | SCREW | 2 | | (SUB FOR LG692537) |
| 43 | LG692101 | DIPSTICK | 1 | | |
| .. | AM130157 | ENGINE | 1 | | |
| .. | LG808036 | LABEL KIT | 1 | | NLA |



MP17706

| KEY | PART NO. | PART NAME | QTY | REMARKS | |
|-----|-----------|-----------------|-----|------------------------------|--|
| 1 | LG807900S | CONNECTING ROD | 2 | STD | |
| 1 | LG807803 | CONNECTING ROD | 1 | .50MM (.020") US, (NLA) | |
| 2 | LG690698 | SCREW | 1 | | |
| 3 | MIU11092 | CRANKSHAFT | 1 | (SUB FOR LG692172) | |
| 4 | M145150 | SHAFT KEY | 1 | (SUB FOR LG806066) | |
| 5 | LG691530 | GEAR | 1 | TIMING | |
| 6 | LG691639 | KEY | 1 | | |
| 7 | LG691557 | CAM | 1 | | |
| 8 | LG690689 | SPOOL | 1 | GOVERNOR | |
| 9 | LG693186 | OIL PUMP | 1 | (ORDER MIA11613) | |
| 9 | MIA11613 | RESERVOIR | 1 | ENGINE BASE SUMP (NOT SHOWN) | |
| 10 | LG690681 | SEAL | 2 | | |
| 11 | LG691492 | CAP SCREW | 2 | | |
| 12 | LG690878 | SCREEN | 1 | OIL PUMP | |
| 13 | LG807886 | PISTON PIN | 2 | | |
| 14 | LG690683 | SNAP RING | 2 | | |
| 15 | MIU12116 | PISTON RING KIT | 1 | STD, (SUB FOR LG807889) | |
| 15 | LG807995 | PISTON RING KIT | 1 | .50MM (.020") OS | |
| 16 | MIA11406 | PISTON | 2 | STD, (SUB FOR LG808326) | |
| 16 | LG808337 | PISTON | 1 | .50MM (.020") OS | |



Suggest:

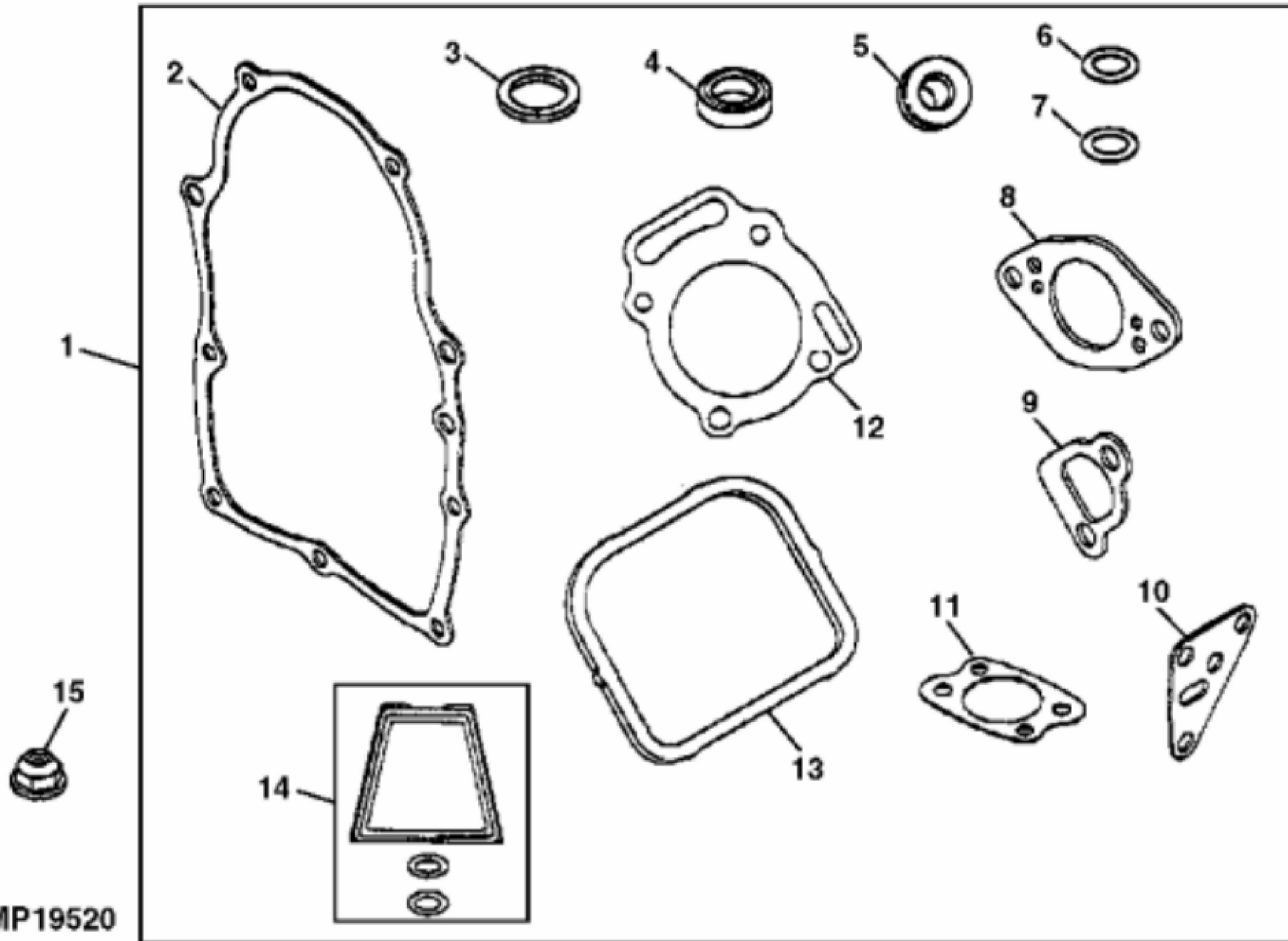
For more complete manuals. Please go to the home page.

<https://www.ebooklibonline.com>

If the above button click is invalid. Please download this document first, and then click the above link to download the complete manual.

Thank you so much for reading

| KEY | PART NO. | PART NAME | QTY | REMARKS |
|-----|-----------|----------------|-----|--|
| 1 | LG692055 | LOCK NUT | 4 | |
| 2 | LG691766 | WASHER | 4 | |
| 3 | LG691558 | COVER | 1 | LH |
| 4 | LG690977 | TAPPET | 4 | |
| 5 | LG691836 | PUSH ROD | 2 | INTAKE (STEEL) |
| 6 | LG691758 | PUSH ROD | 2 | EXHAUST (ALUMINUM) |
| 7 | LG691494 | COVER | 1 | RH |
| 8 | LG692059 | CAP SCREW | 4 | |
| 9 | LG807683 | RETAINER | 2 | |
| 10 | LG692058 | RETAINER | 2 | |
| 11 | LG692084 | SPRING | 2 | |
| 12 | LG691963 | SEAL | 2 | |
| 13 | LG807681 | EXHAUST VALVE | 1 | (INCLUDES LG807683) |
| 14 | LG807680 | INTAKE VALVE | 1 | (INCLUDES LG807683) |
| 15 | UC10273 | GASKET | 1 | SUB FOR LG690888 |
| 16 | LG806039S | GASKET | 1 | |
| 17 | LG691493 | CYLINDER LINER | 1 | |
| 18 | LG692057 | BUSHING | 2 | |
| 19 | LG807623 | ADJUSTER | 2 | (W/NUT) |
| 20 | LG691543 | ROCKER ARM | 2 | |
| 21 | MIU11035 | ROCKER ARM | 2 | PIVOT, (SUB FOR LG690973) |
| 22 | AM132460 | STUD | 2 | (SUB FOR LG691544) |
| 23 | AM132457 | CYLINDER HEAD | 1 | LH (CYLINDER NO. 1) (SUB FOR LG808383) |
| 24 | AM132458 | CYLINDER HEAD | 1 | RH (CYLINDER NO. 2) (SUB FOR LG808384) |
| 25 | AM132460 | STUD | 4 | (SUB FOR LG691544) |
| 26 | M147828 | WASHER | 1 | SEALING |
| 27 | M147829 | SCREW | 1 | |



MP19520

<https://www.ebooklibonline.com>

Hello dear friend!

Thank you very much for reading.

Enter the link into your browser.

The full manual is available for immediate download.

<https://www.ebooklibonline.com>