

John Deere > Turf And Utility > MOWER, RIDING > SRX95 - MOWER, RIDING > SRX75 and SRX95 Riding Mowers > 20 9 HP KAWASAKI ENGINE MODEL (FC290V) > 20-1 - SRX75 ENGINE AND SHORTBLOCK
 MOTEUR ET BLOC COURT MOTOR UND KURTZBLOC MOTORE E BLOCCO CORTO MOTOR Y BLOQUE CORTO MOTOR OCH KORTBLOCK [A16]

KEY	PART NO.	PART NAME	QTY	Engine Serial No.	REMARKS	
1	AM121920	SHORT BLOCK ASSEMBLY	1		(SUB FOR AM104800)	
..	AM115829	ELECTRIC MOTOR	1		9 HP (FC290V-CS10) (SUB AM121606)	
..	AM121606	ENGINE	1	A00001-A00600	9 HP (FC290V-DS10) (SUB AM121631)	
..	AM121631	ENGINE	1	A00777-A06480	(*) 9 HP (FC290V-FS10) (SUB AM122328)	
..	AM122328	GASOLINE ENGINE	1	A06481-_____	9 HP (FC290V-GS10) (CARB CERTIFIED)	
..	AM109303	GASKET KIT	1		ENGINE	

<https://www.ebooklibonline.com>

Hello dear friend!

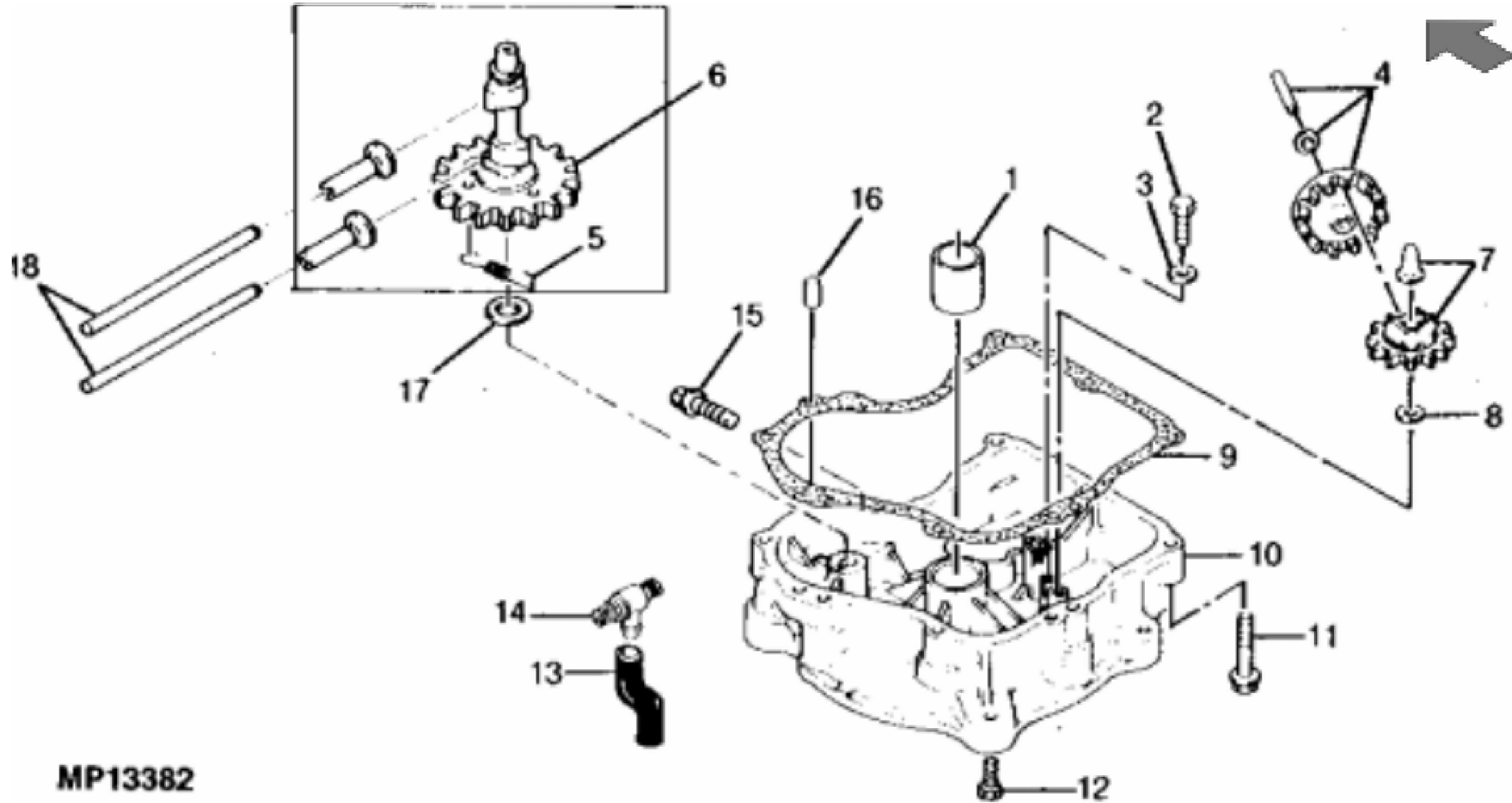
Thank you very much for reading.

Enter the link into your browser.

The full manual is available for immediate download.

<https://www.ebooklibonline.com>

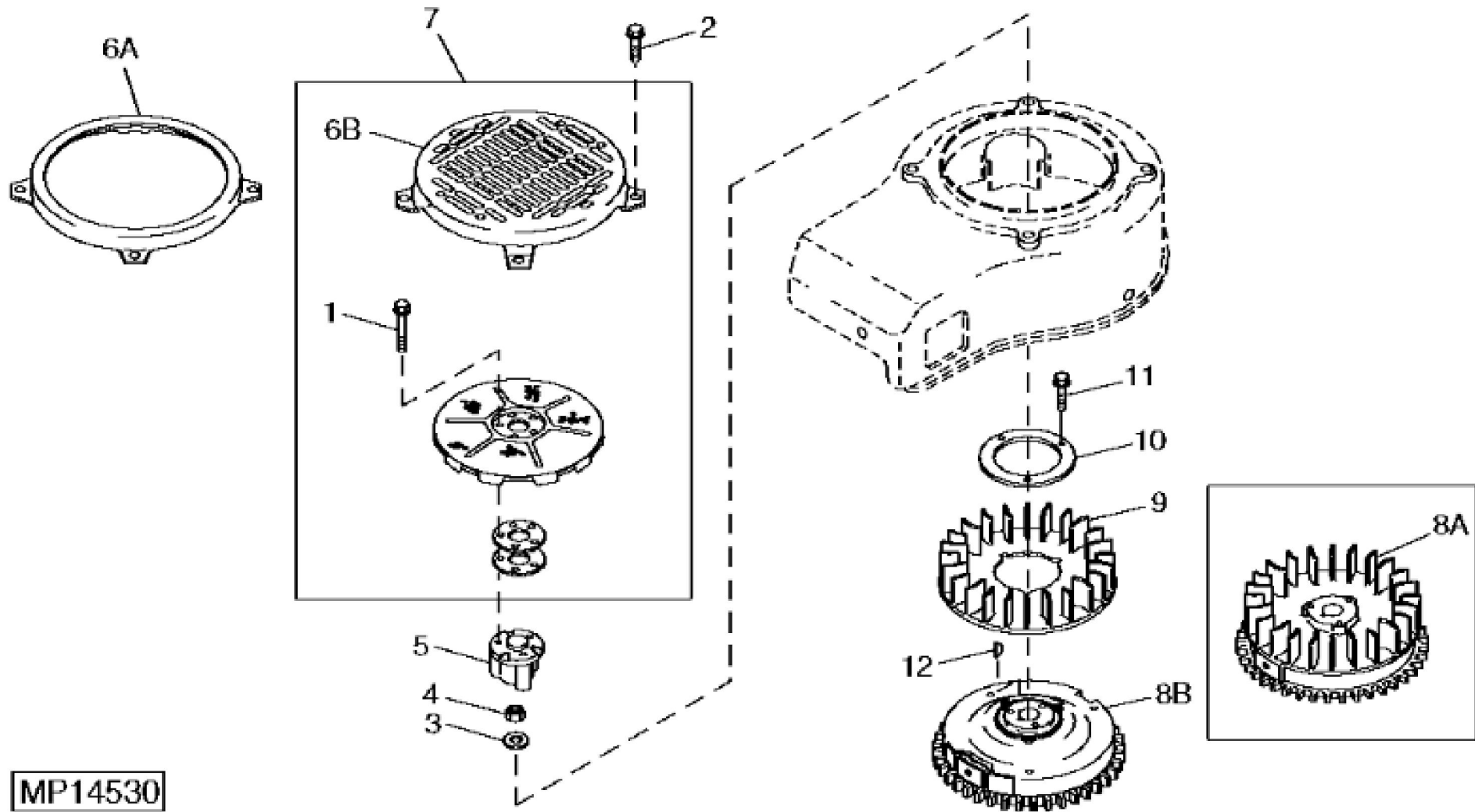
John Deere > Turf And Utility > MOWER, RIDING > SRX95 - MOWER, RIDING > SRX75 and SRX95 Riding Mowers > 20 9 HP KAWASAKI ENGINE MODEL (FC290V) > 20-3 - SRX75 ENGINE BASE, OIL SLINGER, GOVERNOR AND CAMSHAFT BASE DU MOTEUR, DEFLECTEUR D'HUILE REGULATEUR ET ARBRE A CAMES MOTORBASIS, OELSCHLEUDERRING, DREHZAHNREGLER UND NOCKENWEILLE BASE DEL MOTORE, DEFLETTORE D'OLIO, REGOLATORE ED ALBERO A CAMME BASE DEL [A17]



MP13382

John Deere > Turf And Utility >MOWER, RIDING >SRX95 - MOWER, RIDING >SRX75 and SRX95 Riding Mowers >20 9 HP KAWASAKI ENGINE MODEL (FC290V) >20-3 - SRX75 ENGINE BASE, OIL SLINGER, GOVERNOR AND CAMSHAFT BASE DU MOTEUR, DEFLECTEUR D'HUILE REGULATEUR ET ARBRE A CAMES MOTORBASIS, OELSCHLEUDERRING, DREHZAHLREGLER UND NOCKENWELLE BASE DEL MOTORE, DEFLETTORE D'OLIO, REGOLATORE ED ALBERO A CAMME BASE DEL [A17]

KEY	PART NO.	PART NAME	QTY	REMARKS
1	M70266	BEARING	1	
2	M70271	BOLT	1	
3	M118372	WASHER	1	(SUB FOR M70272)
4	AM116031	KIT	1	(SUB FOR M70268, M70269 AND M118373)
5	M70214	SPRING	1	
6	AM116032	KIT	1	(SUB FOR AM102608 AND (2) M70213)
7	AM104507	GOVERNOR	1	(SUB FOR AM109189)
8	M95856	WASHER	1	(SUB FOR PT12218)
9	M97281	GASKET	1	(KIT AM109303)
10	AM102622	COVER	1	(INCLUDES M70266)
11	19M8318	SCREW	8	M8 X 45 (HS, HEAD MARKED 10.9)
12	19M7866	SCREW	3	M8 X 20 (HS, HEAD MARKED 10.9)
12	19M7922	CAP SCREW	1	(A) M8 X 40 (HS, HEAD MARKED 10.9) RH FRONT
12	12H334	LOCK WASHER	1	(A) 5/16", RH FRONT
13	M96335	HOSE	1	
14	AM107911	DRAIN VALVE	1	
15	M73312	PLUG	1	
16	M74252	PIN	2	
17	AM102609	SHIM	AR	KIT 1.60 MM (.063") TO 1.95 MM (.078")
18	M70212	PUSH ROD	2	



MP14530



Suggest:

For more complete manuals. Please go to the home page.

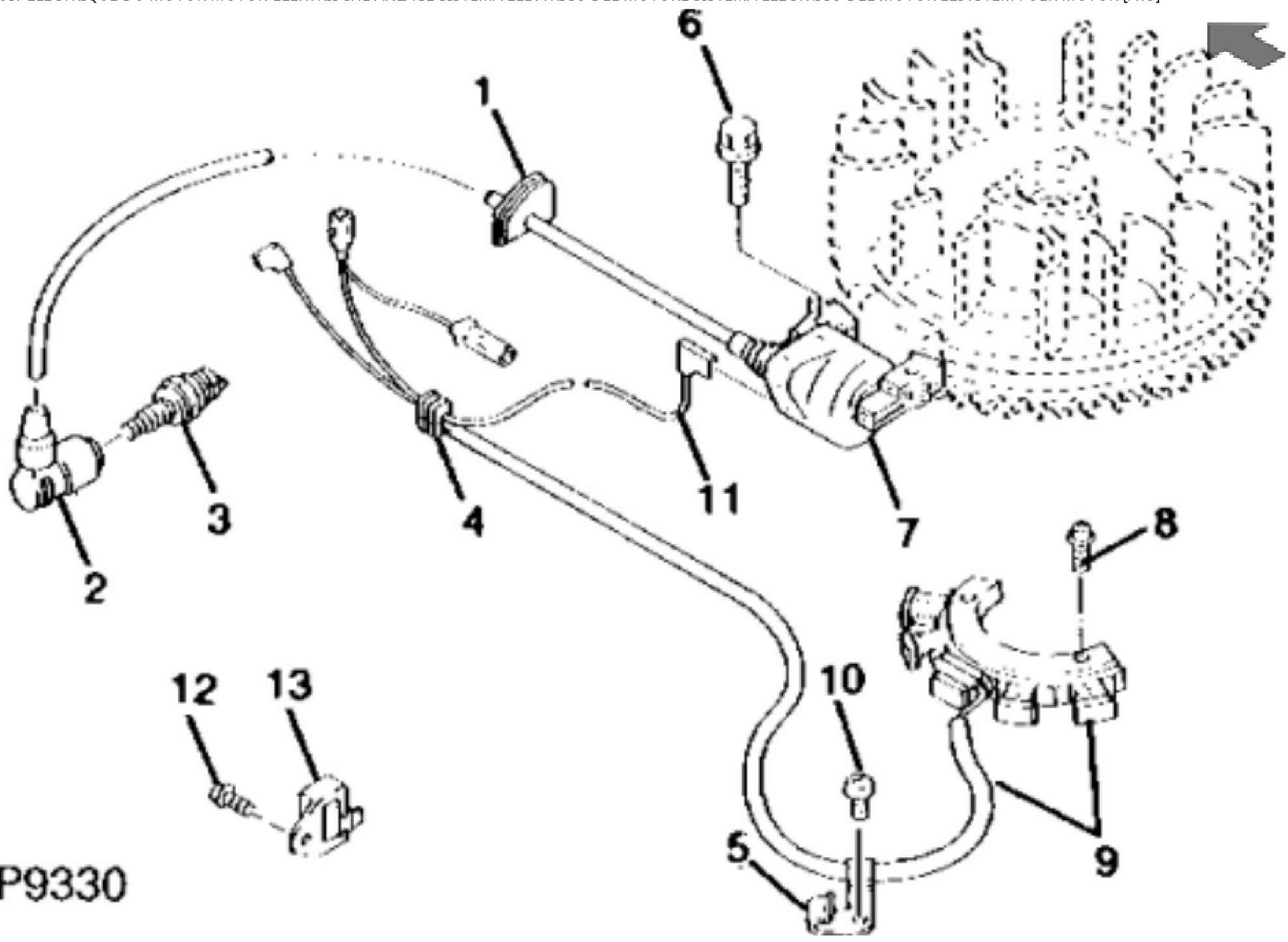
<https://www.ebooklibonline.com>

If the above button click is invalid. Please download this document first, and then click the above link to download the complete manual.

Thank you so much for reading

John Deere > Turf And Utility >MOWER, RIDING >SRX95 - MOWER, RIDING >SRX75 and SRX95 Riding Mowers >20 9 HP KAWASAKI ENGINE MODEL (FC290V) >20-4 - SRX75 FLYWHEEL AND SCREEN
VOLANT-MOTEUR ET ECRAN SCHWUNGRAD UND GITTER VOLANO E SCHERMO VOLANTE Y REJILLA BALANSHJUL OCH SKAERM [A18]

KEY	PART NO.	PART NAME	QTY	REMARKS
1	M70255	SCREW	3	
2	19M7861	SCREW	4	M6 X 10 (HS, HEAD MARKED 10.9)
3	M70280	WASHER	1	
4	M73821	NUT	1	
5	M70251	BRACKET	1	
6A	GUARD	1	(ORDER AM116035)
6B	M76927	GUARD	1	
7	AM116035	KIT	1	(SUB FOR (3) M70255, (3) M70253, M70252 AND M76927)
8A	AM102624	FLYWHEEL	1	(FC290V-DS10)
8B	AM121183	FLYWHEEL	1	(FC290V-FS10)(FC290V-GS10)
9	M123681	FAN	1	FLYWHEEL (FC290V-FS10)(FC290V-GS10)
10	M123756	PLATE	1	(FC290V-FS10)(FC290V-GS10)
11	19M7861	SCREW	3	M6 X 10, PLATE TO FAN (FC290V-FS10)(FC290V-GS10)
12	M77843	SHAFT KEY	1	(FC290V-FS10)(FC290V-GS10)



MP9330

<https://www.ebooklibonline.com>

Hello dear friend!

Thank you very much for reading.

Enter the link into your browser.

The full manual is available for immediate download.

<https://www.ebooklibonline.com>