

MP28879

KEY	PART NO.	PART NAME	QTY	REMARKS
1	M148338	GROMMET	1	(SUB FOR M134911)
1	MIU13209	GROMMET	1	USE WITH MIA12725
2	M132350	SCREW	4	
3	M133067	O-RING	2	
4	AM134352	VALVE COVER	1	(WITH BREATHER) (RH CYLINDER ONLY) (SUB FOR AM126264)
5	AM126263	CYLINDER HEAD	1	(RH) (ENGINES MARKED CV25S-69525, CV25S-69542, AND CV25S-69544)
5	AM130711	CYLINDER HEAD	1	NLA;(RH) (ENGINE MARKED CV25S-69539 AND CV730-0006)
6	AM107043	RETAINER	4	
7	M92203	CAP	4	
8	M132352	SPRING	4	
9	M43123	RETAINER	4	
10	M146775	SEAL	2	NLA; ORDER MIU14137
10	MIU14137	SEAL	2	SUB FOR M92202
10	M92202	SEAL	2	
11	M132353	INTAKE VALVE	2	(STD)
11	M132354	INTAKE VALVE	2	.25 MM (.010") OS
12	M132355	EXHAUST VALVE	2	(STD)
12	M132356	EXHAUST VALVE	2	.25 MM (.010") OS
13	MIU12491	GASKET	1	(SUB FOR M132366 OR M150647)
14	M148331	COVER	1	(SUB FOR M138823)
15	AM126260	KIT	1	BREATHER
16	37M7131	SCREW	4	M6 X 20
17	MIU13278	VALVE LIFTER	4	SUB FOR M131283 or M137271 or MIU11034 or MIU12989
18	M132357	PUSH ROD	4	(A)
19	AM134351	ENGINE CYLINDER HEAD GASKET	2	NLA; ORDER (2) MIU13276; SUB FOR M137581
19	MIU13276	ENGINE CYLINDER HEAD GASKET	2	
20	AM126261	CYLINDER HEAD	1	(LH) (ENGINES MARKED CV25S-69525, CV25S-69542, AND CV25S-69544)
20	AM130710	CYLINDER HEAD	1	(LH) (ENGINE MARKED CV25S-69539 AND CV730-0006)
21	19M7811	SCREW	8	M10 X 90, (ENGINES MARKED CV25S-69525, CV25S-69542, AND CV25S-69544) (SUB FOR M144706 OR M137539)
22	M131133	ROCKER ARM	4	(A)
23	MIU11263	PIVOT	4	(A) (SUB FOR M132359)

**<https://www.ebooklibonline.com>**

Hello dear friend!

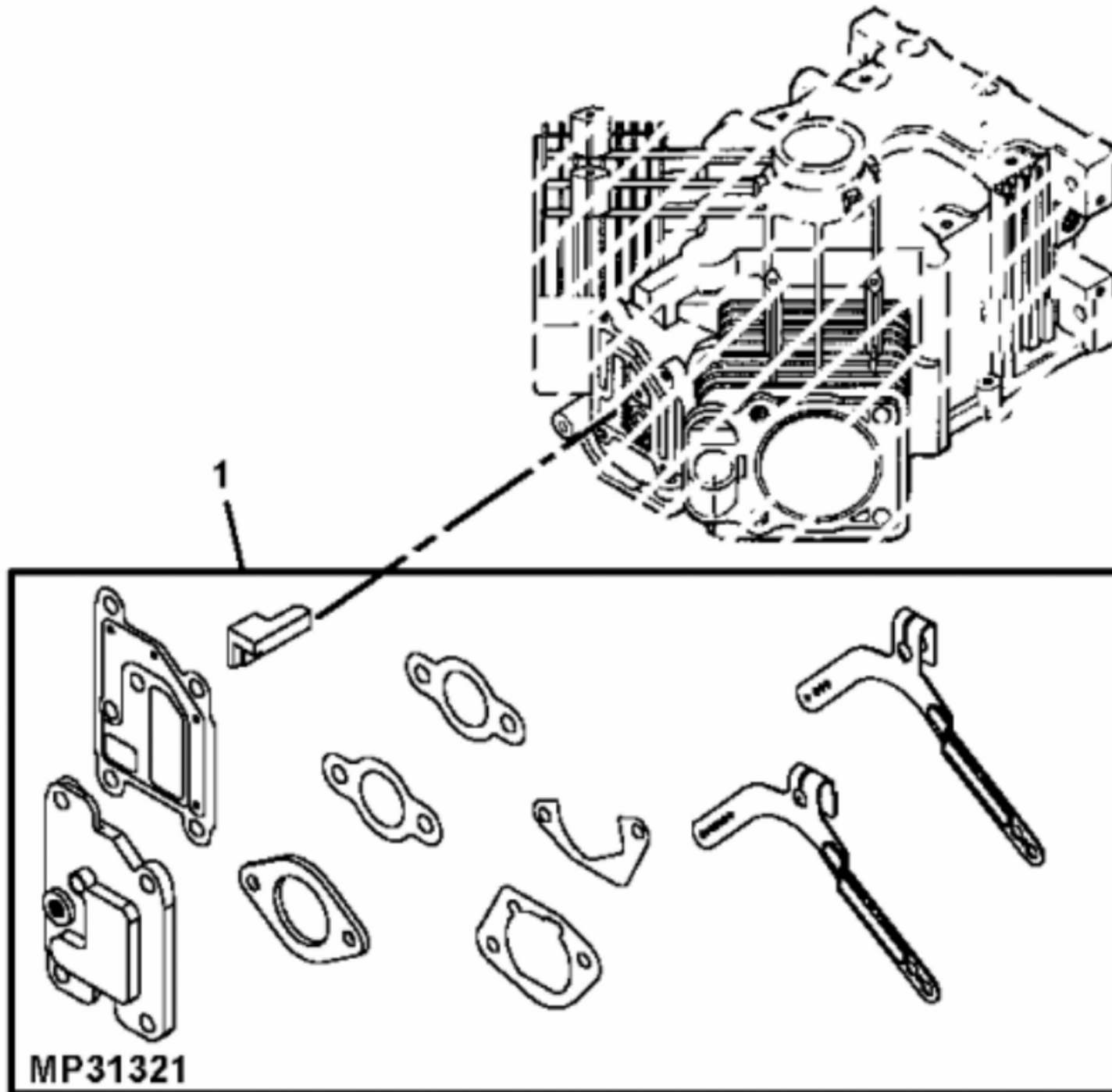
Thank you very much for reading.

Enter the link into your browser.

The full manual is available for immediate download.

**<https://www.ebooklibonline.com>**

KEY	PART NO.	PART NAME	QTY	REMARKS
24	19M8290	SCREW	4	M6 X 35, (SUB FOR M120564)
25	AM134290	VALVE COVER	1	(SUB FOR AM124983)
26	M132363	STRAP	1	NLA; ORDER MIU12948
26	MIU12948	STRAP	1	
27	M143942	STUD	8	(ENGINE MARKED CV25S-69539 AND CV730-0006)
28	M143943	WASHER	8	(ENGINE MARKED CV25S-69539 AND CV730-0006)
29	M143944	NUT	8	(ENGINE MARKED CV25S-69539 AND CV730-0006)
30	MIU11342	HOSE	1	(ENGINES MARKED CV25S-69525, CV25S-69542, AND CV25S-69544) (SUB FOR M134915)
31	TY22462	CLAMP	2	(ENGINES MARKED CV25S-69525, CV25S-69542, AND CV25S-69544)
32	MIU11341	HOSE	1	(ENGINES MARKED CV25S-69525, CV25S-69542, AND CV25S-69544) (SUB FOR M134917)
33	M134916	FITTING	1	(ENGINES MARKED CV25S-69525, CV25S-69542, AND CV25S-69544)
34	.....	HOSE	1	
35	.....	FITTING	1	
36	.....	FUEL LINE	1	
37	M134914	SPACER	1	
38	M134913	BRACKET	1	
39	M134912	STRAP	1	
40	MIU14033	SCREW	2	
40	MIU12950	SCREW	2	USE WITH MIA12725
41	AM126265	SEPARATOR KIT	1	NLA; ORDER MIA12725; Breather Separator
41	MIA12725	SEPARATOR KIT	1	
42	MIU11344	HOSE	1	BREATHER (ENGINE MARKED CV25S-69539 AND CV730-0006) (SUB FOR M148324 OR MIU10956)
..	AM125389	VALVE TRAIN KIT	1	VALVE TRAIN (INCLUDES PARTS MARKED (A))



John Deere > Turf And Utility > TRACTOR, LAWN AND GARDEN > S2554 - TRACTOR, LAWN AND GARDEN > Scotts S2554 Garden Tractor > 20 ENGINE GU20277 > ST644135 - SEPARATOR PLUG KIT (- 190001)

KEY	PART NO.	PART NAME	QTY	REMARKS	
1	AM133294	SEPARATOR KIT	1	NLA; Separator Plug	



KEY	PART NO.	PART NAME	QTY	Serial No.	REMARKS
1	MIU11539	SEAL	1		(SUB FOR M132338)
2	AM130713	CYLINDER BLOCK	1		
3	M134898	FITTING	1		
4	MIU11251	DOWEL PIN	6		(SUB FOR M132339 OR M144516)
5	MIU12971	CONNECTING ROD	2		ORDER MIU13923; STD; SUB FOR M134452 OR MIU11256
5	MIU13923	CONNECTING ROD	2		ORDER MIA12812
5	MIA12812	CONNECTING ROD	1		
5	MIA11130	CONNECTING ROD	2		.25 MM (.010") US, (SUB FOR M134453 OR MIA10907)
6	AM125386	PISTON REPLACEMENT KIT	2		(STD) (ENGINE MARKED CV25S-69525) (SUB MIA11128)
6	AM130423	PISTON REPLACEMENT KIT	2		(STD) (ENGINES MARKED CV25S-69542, CV25S-69544, CV25S-69539 AND CV730-0006) (SUB MIA11128)
6	MIA11128	PISTON REPLACEMENT KIT	2		
7	MIA11277	PISTON RING KIT	1		(STD) (ENGINE MARKED CV25S-69525) (SUB FOR AM125387) (ORDER MIA11128)
7	M143344	PISTON RING KIT	1		(STD) (ENGINES MARKED CV25S-69542, CV25S-69544, CV25S-69539 AND CV730-0006) (SUB MIA11129)
7	MIA11129	RING	1		(USE WITH MIA11128)
8	M132341	RETAINER	2		
9	M118585	SHIM	AR		RED
9	M118584	SHIM	AR		BLACK
9	M93955	SOLID SHIM	AR		WHITE
9	M97015	SOLID SHIM	AR		BLUE
9	M96817	SOLID SHIM	AR		YELLOW
9	M96818	SOLID SHIM	AR		GREEN
9	M96819	SOLID SHIM	AR		GRAY
10	M137492	CAMSHAFT	1		(SUB FOR M132342)
10	AM132741	CAMSHAFT	1		(ENGINE MARKED CV730-0006 ONLY)
11	M76215	PLUG	1		
12	M93483	SCREW	2		(SUB FOR M138311)
13	M134899	RETAINER	2		
14	M134900	BREATHER	2		
15	M92193	O-RING	1		
16	M134901	BRACKET	1		



**Suggest:**

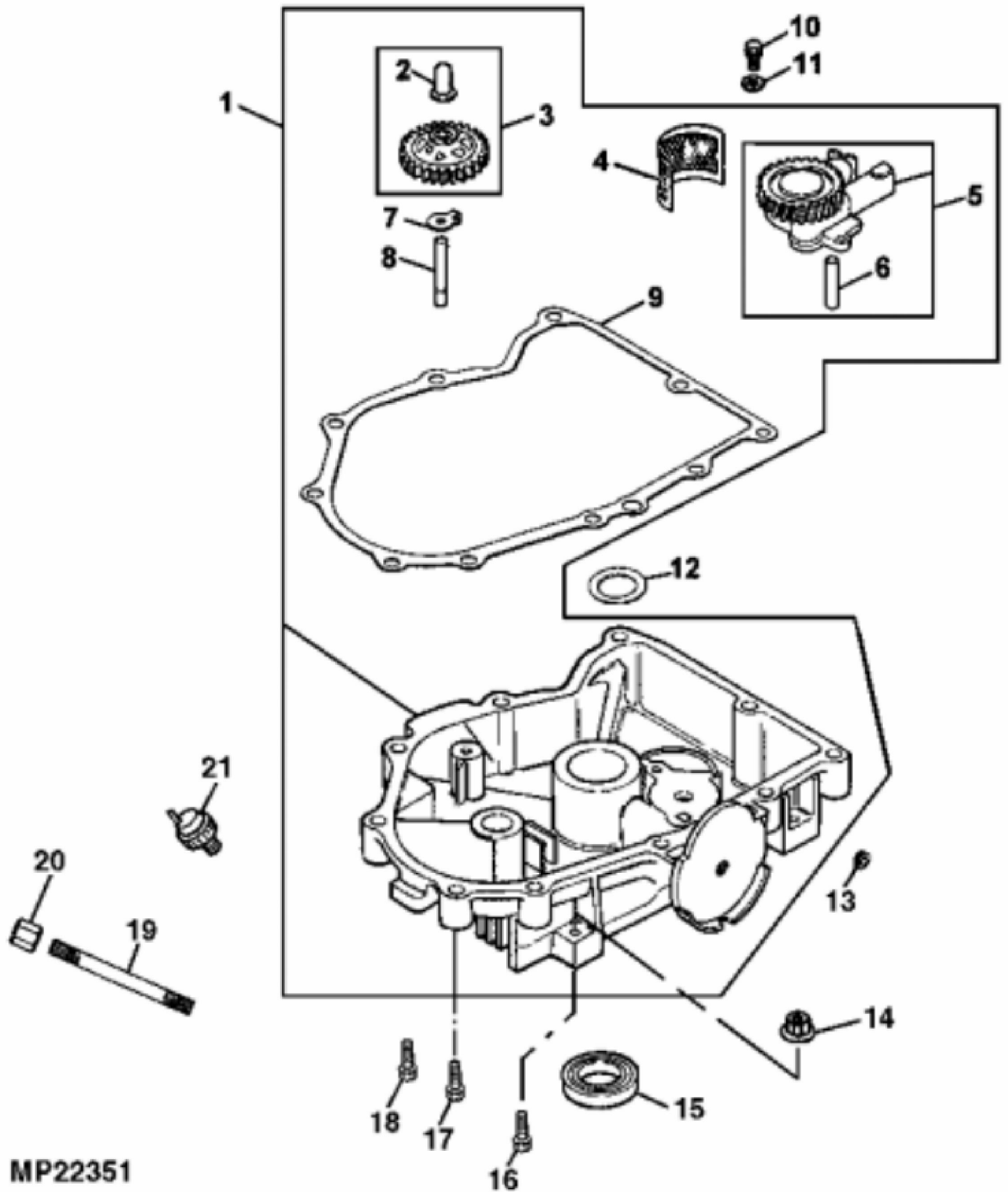
**For more complete manuals. Please go to the home page.**

**<https://www.ebooklibonline.com>**

**If the above button click is invalid. Please download this document first, and then click the above link to download the complete manual.**

**Thank you so much for reading**

KEY	PART NO.	PART NAME	QTY	Serial No.	REMARKS
17	MIU11957	TUBE	1		(SUB FOR M92192)
18	MIU14033	SCREW	1		
19	M92194	O-RING	1		
20	AM126257	DIPSTICK	1		
21	AM124450	FILLER CAP	1		
22	M148124	O-RING	1		
23	M126396	QUICK LOCK PIN	1	____-025080	
24	M93418	WASHER	1	____-025080	
24	M143936	WASHER	1	025081-____	
25	M92079	SEAL	1	____-025080	
25	M143938	SEAL	1	025081-____	ORDER MIU13503
25	MIU13503	SEAL	1		
25	M143970	SEAL	1		(ENGINE MARKED CV730-0006 ONLY)
26	M96520	WASHER	1	____-025080	
26	M143939	WASHER	1	025081-____	
27	M132343	SHAFT	1	____-025080	NLA; Governor Cross
27	M143940	SHAFT	1	025081-____	GOVERNOR CROSS
27	M148328	SHAFT	1		GOVERNOR CROSS (ENGINE MARKED CV730-0006 ONLY)
28	.....	SEAL	1		
29	AM126256	CRANKSHAFT	1		28.6 MM (1-1/8"), (ENGINES MARKED CV25S-69525, CV25S-69542, AND CV25S-69544)
29	AM128620	CRANKSHAFT	1		25.4 MM (1"), (ENGINES MARKED CV25S-69539 AND CV730-0006) (SUB MIA11970)
30	19M7897	SCREW	4		M8 X 35
31	M143941	RING	1	025081-____	RETAINER
..	.....	ENGINE	1		25HP, (MARKED CV25S-69525) (SUB AM130713)
..	.....	ENGINE	1		25HP, (MARKED CV25S-69542) (SUB AM130713)
..	.....	ENGINE	1		25HP, (MARKED CV25S-69544) (SUB AM129933)
..	AM129933	ENGINE	1		25HP, (MARKED CV25S-69539)
..	AM132672	ENGINE	1		25HP, (MARKED CV730-0006)
..	AM117019	GEAR KIT	1		NLA



MP22351

**<https://www.ebooklibonline.com>**

Hello dear friend!

Thank you very much for reading.

Enter the link into your browser.

The full manual is available for immediate download.

**<https://www.ebooklibonline.com>**