

MP20217

KEY	PART NO.	PART NAME	QTY	REMARKS
1	M148338	GROMMET	1	(SUB FOR M134911)
2	M132350	SCREW	4	
3	M133067	O-RING	2	
4	AM134352	VALVE COVER	1	(WITH BREATHER) (RH CYLINDER ONLY) (SUB FOR AM126264)
5	AM130723	CYLINDER HEAD	1	(RH) (SUB FOR AM128624) (ALSO ORDER (4) M143942, (4) M143943 AND (4) M143944)
6	AM107043	RETAINER	4	
7	M92203	CAP	4	
8	M132352	SPRING	4	
9	M43123	RETAINER	4	
10	M92202	SEAL	2	
11	M132353	INTAKE VALVE	2	(STD)
11	M132354	INTAKE VALVE	2	.25 MM (.010") OS
12	M132355	EXHAUST VALVE	2	(STD)
12	M132356	EXHAUST VALVE	2	.25 MM (.010") OS
13	MIU12491	GASKET	1	(SEE SIB 03-11-05-1) (SUB FOR M132366 OR M150647)
14	M148331	COVER	1	(SEE SIB 03-11-05-1) (SUB FOR M138823)
15	AM126260	BREATHER	1	(SEE SIB 03-11-05-1)
16	37M7131	SCREW	4	M6 X 20
17	MIU13278	VALVE LIFTER	4	SUB FOR M137271 or MIU11034 or MIU12989
18	M132357	PUSH ROD	4	(A)
19	M141731	ENGINE CYLINDER HEAD GASKET	2	(SUB FOR M132358)
20	AM130722	CYLINDER HEAD	1	(LH) (SUB FOR AM128623) (ALSO ORDER (4) M143942, (4) M143943 AND (4) M143944)
20	M143942	STUD	1	
20	M143943	WASHER	1	
20	M143944	NUT	1	
21	19M7811	SCREW	8	M10 X 90, (SUB FOR M144706 OR M137539)
22	M131133	ROCKER ARM	4	(A)
23	MIU11263	PIVOT	4	(A) (SUB FOR M132359)
24	19M8290	SCREW	4	M6 X 35
25	AM134290	VALVE COVER	1	(SUB FOR AM124983)
26	M132363	STRAP	1	NLA; ORDER MIU12948
26	MIU12948	STRAP	1	

<https://www.ebooklibonline.com>

Hello dear friend!

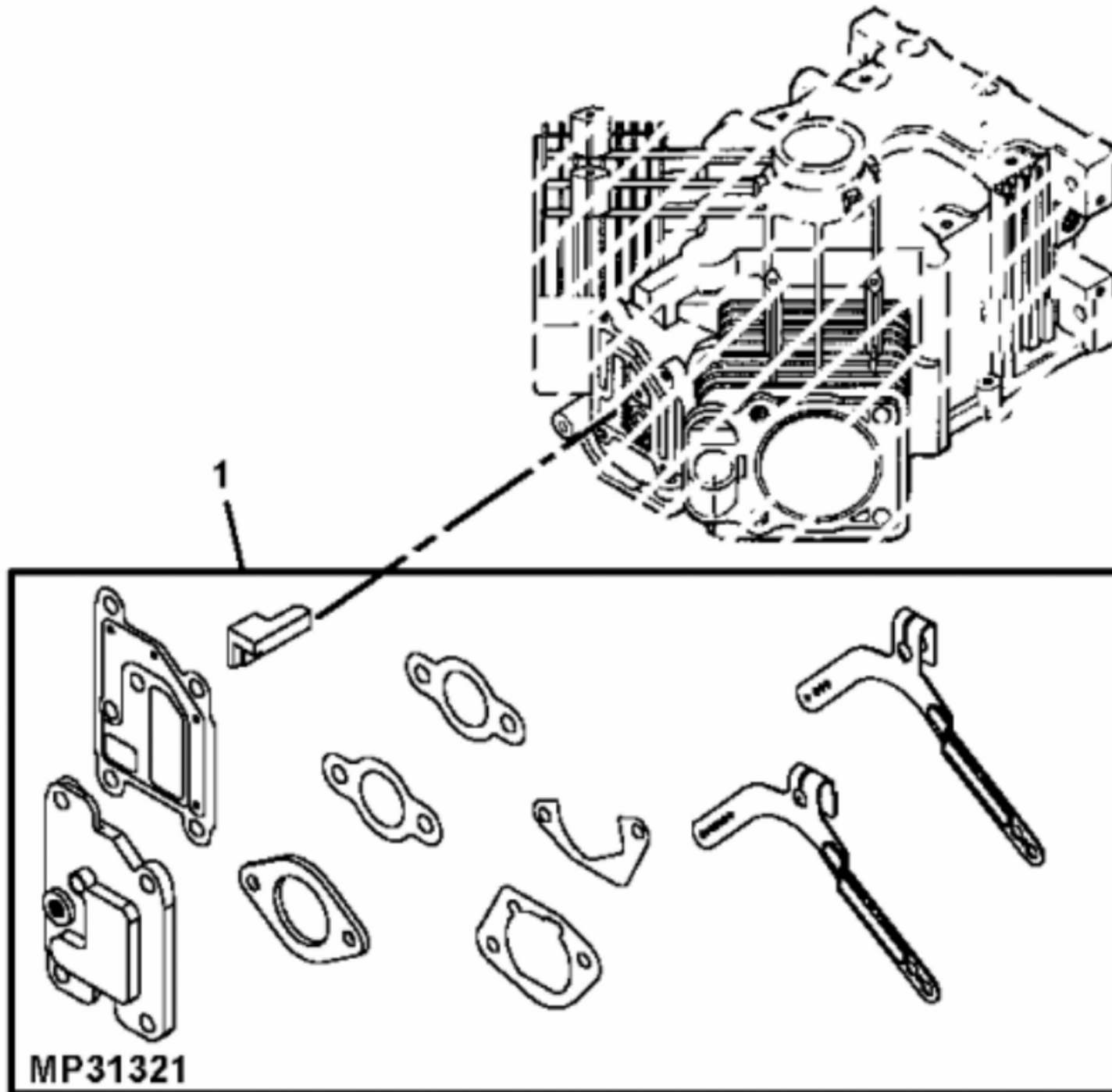
Thank you very much for reading.

Enter the link into your browser.

The full manual is available for immediate download.

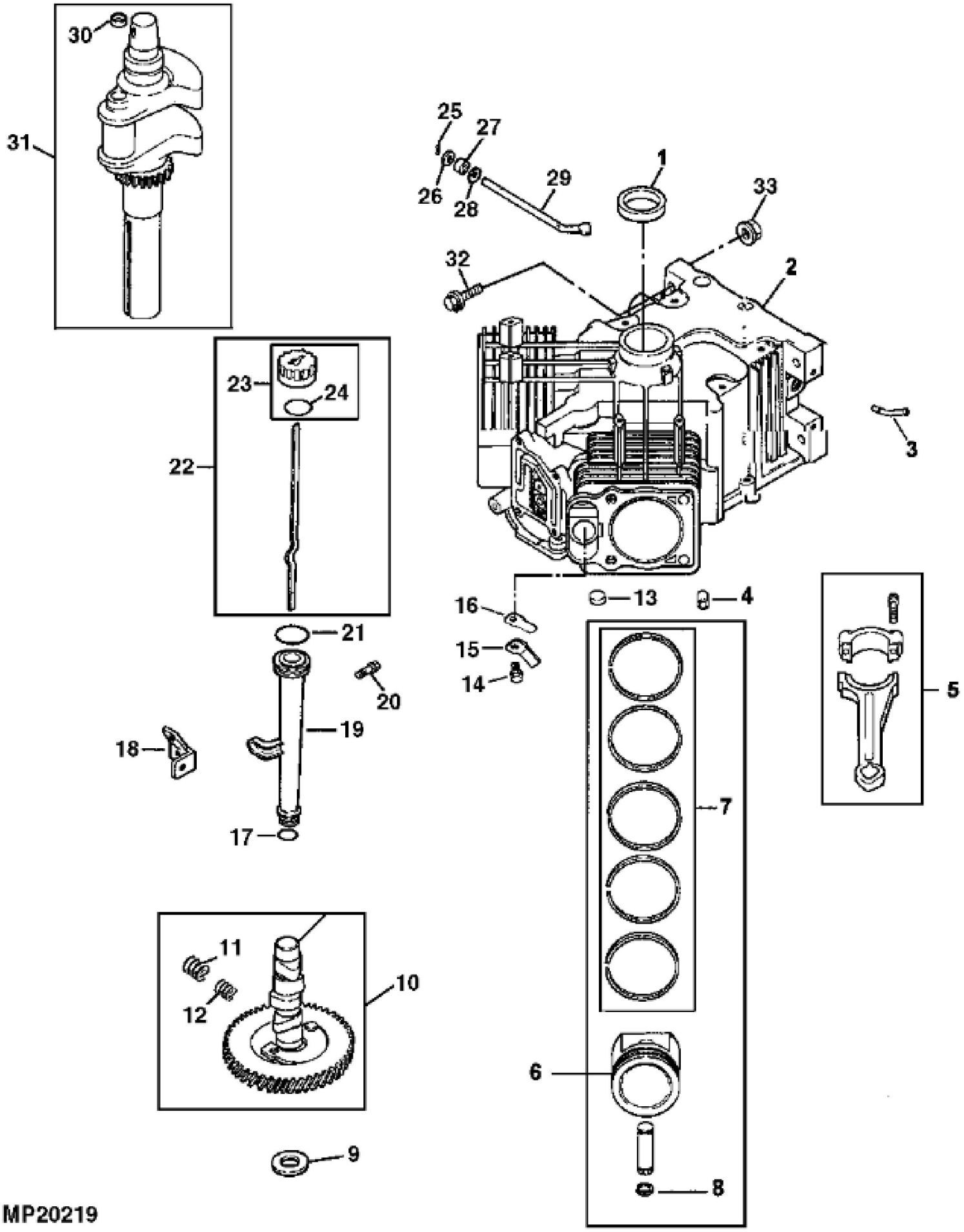
<https://www.ebooklibonline.com>

KEY	PART NO.	PART NAME	QTY	REMARKS	
27	MIU11342	HOSE	1	(SUB FOR M134915)	
28	TY22462	CLAMP	2	(SUB FOR AR48236)	
29	MIU11341	HOSE	1	(SUB FOR M134917)	
30	M134916	FITTING	1		
31	M134914	SPACER	1		
32	M134913	BRACKET	1		
33	M134912	STRAP	1		
34	MIU14033	SCREW	2		
35	AM126265	SEPARATOR	1	BREATHER	
36	15H558	PIPE PLUG	1	1/8"	
..	AM125389	VALVE TRAIN KIT	1	VALVE TRAIN (INCLUDES PARTS MARKED (A))	



John Deere > Turf And Utility > TRACTOR, LAWN AND GARDEN > S2348 - TRACTOR, LAWN AND GARDEN > SCOTTS S2348 Yard Tractor > 20 ENGINE AM129934 > ST644248 - SEPARATOR PLUG KIT (- 190001)

KEY	PART NO.	PART NAME	QTY	REMARKS	
1	AM133294	SEPARATOR KIT	1	NLA; Separator Plug; SEE SIB 03-11-05-1	



MP20219

KEY	PART NO.	PART NAME	QTY	REMARKS
1	MIU11539	SEAL	1	(SUB FOR M132338)
2	AM128632	CYLINDER BLOCK	1	
3	M134898	FITTING	1	
4	MIU11251	DOWEL PIN	6	(SUB FOR M132339 OR M144516)
5	MIU12971	CONNECTING ROD	2	ORDER MIU13923; SUB FOR M134452 OR MIU11256, STD
5	MIU13923	CONNECTING ROD	2	ORDER MIA12812
5	MIA12812	CONNECTING ROD	1	
5	MIA11130	CONNECTING ROD	2	.25 MM (.010") US, SUB FOR M134453 OR MIA10907
6	MIA11859	PISTON KIT	2	(W/RINGS) (STD) (SUB FOR AM129625 OR MIA10998)
6	AM129626	PISTON REPLACEMENT KIT	2	.50 MM (.020") OS, (W/RINGS)
7	MIA11220	PISTON RING KIT	2	(STD) (SUB FOR AM129627)
7	AM129628	PISTON RING KIT	2	.50 MM (.020") OS
8	M132341	RETAINER	4	
9	M118585	SHIM	AR	RED
9	M118584	SHIM	AR	BLACK
9	M93955	SOLID SHIM	AR	WHITE
9	M97015	SOLID SHIM	AR	BLUE
9	M96817	SOLID SHIM	AR	YELLOW
9	M96818	SOLID SHIM	AR	GREEN
9	M96819	SOLID SHIM	AR	GRAY
10	AM128621	CAMSHAFT	1	NLA
11	M140022	SPRING	1	(22 MM), NLA; Light
12	M140023	SPRING	1	(9 MM), NLA; Heavy
13	PLUG	1	
14	M93483	SCREW	2	(SUB FOR M138311)
15	M134899	RETAINER	2	
16	M134900	BREATHER	2	
17	M92193	O-RING	1	
18	M134901	BRACKET	1	
19	MIU11957	TUBE	1	(SUB FOR M92192)
20	MIU14033	SCREW	1	
21	M92194	O-RING	1	
22	AM126257	DIPSTICK	1	
23	AM107041	FILLER CAP	1	
24	M148124	O-RING	1	(SUB FOR M92195)



Suggest:

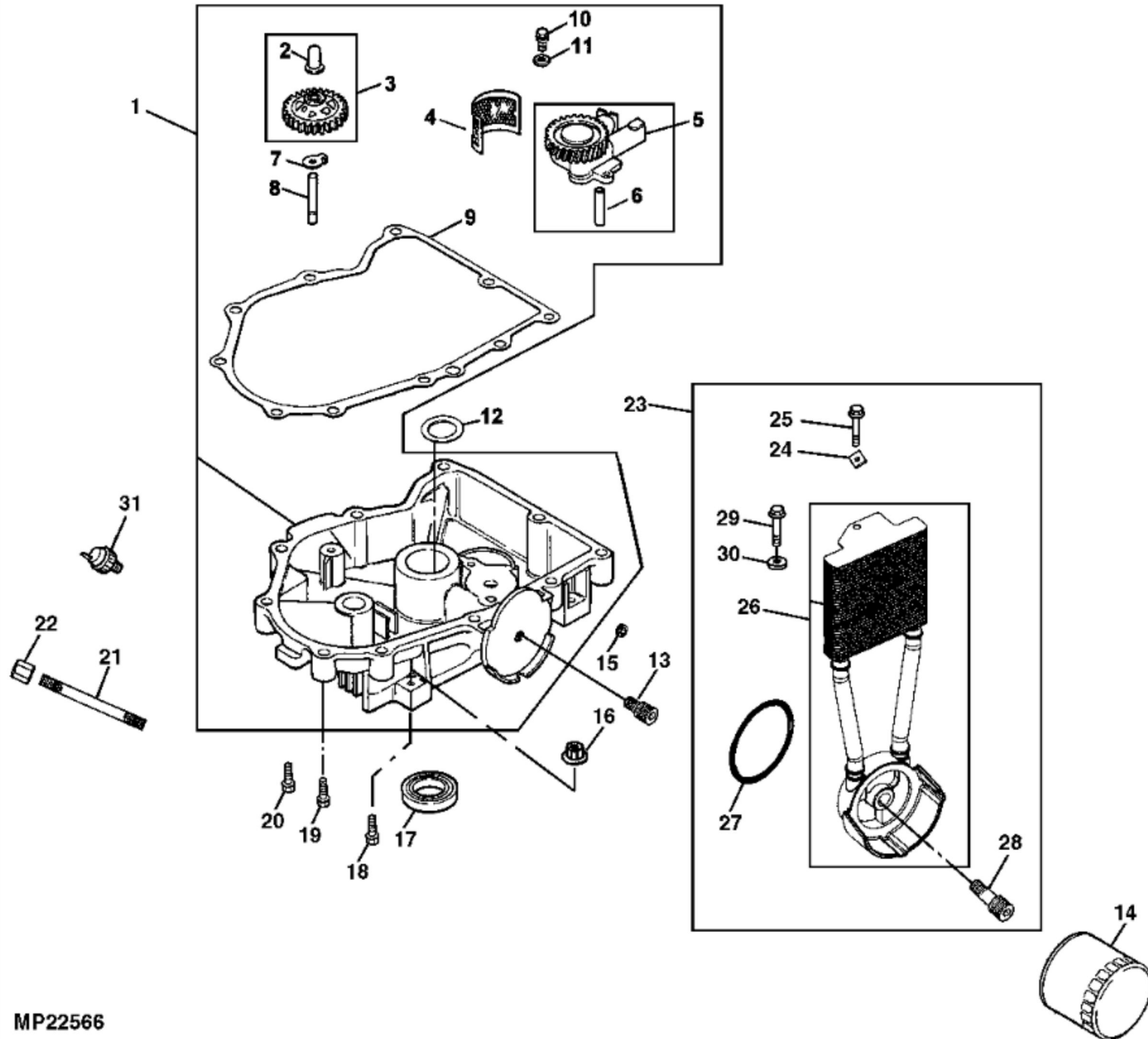
For more complete manuals. Please go to the home page.

<https://www.ebooklibonline.com>

If the above button click is invalid. Please download this document first, and then click the above link to download the complete manual.

Thank you so much for reading

KEY	PART NO.	PART NAME	QTY	REMARKS
25	M126396	QUICK LOCK PIN	1	
26	M93418	WASHER	1	
27	M92079	SEAL	1	
28	M96520	WASHER	1	
29	M132343	SHAFT	1	NLA; Governor Cross
30	PLUG	1	
31	MIA11970	CRANKSHAFT	1	(SUB FOR AM128620)
32	19M7897	SCREW	4	M8 X 35, (ENGINE MOUNTING)
33	14M7298	FLANGE NUT	4	M8
..	AM129934	ENGINE	1	23 HP
..	AM117019	GEAR KIT	1	NLA



MP22566

<https://www.ebooklibonline.com>

Hello dear friend!

Thank you very much for reading.

Enter the link into your browser.

The full manual is available for immediate download.

<https://www.ebooklibonline.com>