

MP20217

KEY	PART NO.	PART NAME	QTY	REMARKS
1	M148338	GROMMET	1	(SUB FOR M134911)
2	M132350	SCREW	4	
3	M149188	O-RING	2	(SUB FOR M133067)
4	AM134352	VALVE COVER	1	(WITH BREATHER) (RH CYLINDER ONLY) (SUB FOR AM126264)
5	AM130723	CYLINDER HEAD	1	RH (SUB FOR AM128624)
6	AM107043	RETAINER	4	
7	M92203	CAP	4	
8	M132352	SPRING	4	
9	M43123	RETAINER	4	
10	M146775	SEAL	2	NLA; ORDER MIU14137
10	M92202	SEAL	2	
10	MIU14137	SEAL	2	SUB FOR M92202
11	M132353	INTAKE VALVE	2	STD
11	M132354	INTAKE VALVE	2	.25 MM (.010") OS
12	M132355	EXHAUST VALVE	2	STD
12	M132356	EXHAUST VALVE	2	.25 MM (.010") OS
13	MIU12491	GASKET	1	(SUB FOR M132366 OR M150647)
14	M148331	COVER	1	(SUB FOR M138823)
15	AM126260	BREATHER	1	
16	37M7131	SCREW	4	M6 X 20
17	MIU13278	VALVE LIFTER	4	SUB FOR M137271 or MIU11034 or MIU12989
18	M132357	PUSH ROD	4	(A)
19	M141731	ENGINE CYLINDER HEAD GASKET	2	(SUB FOR M132358)
20	AM130722	CYLINDER HEAD	1	LH (SUB FOR AM128623)
20	M143942	STUD	1	
20	M143943	WASHER	1	
20	M143944	NUT	1	
21	19M7811	SCREW	8	M10 X 90, (SUB FOR M144706 OR M137539)
22	M131133	ROCKER ARM	4	(A)
23	MIU11263	PIVOT	4	(A) (SUB FOR M132359)
24	19M8290	SCREW	4	M6 X 35
25	AM134290	VALVE COVER	1	LH (SUB FOR AM124983)
26	M132363	STRAP	1	NLA; ORDER MIU12948
26	MIU12948	STRAP	1	

<https://www.ebooklibonline.com>

Hello dear friend!

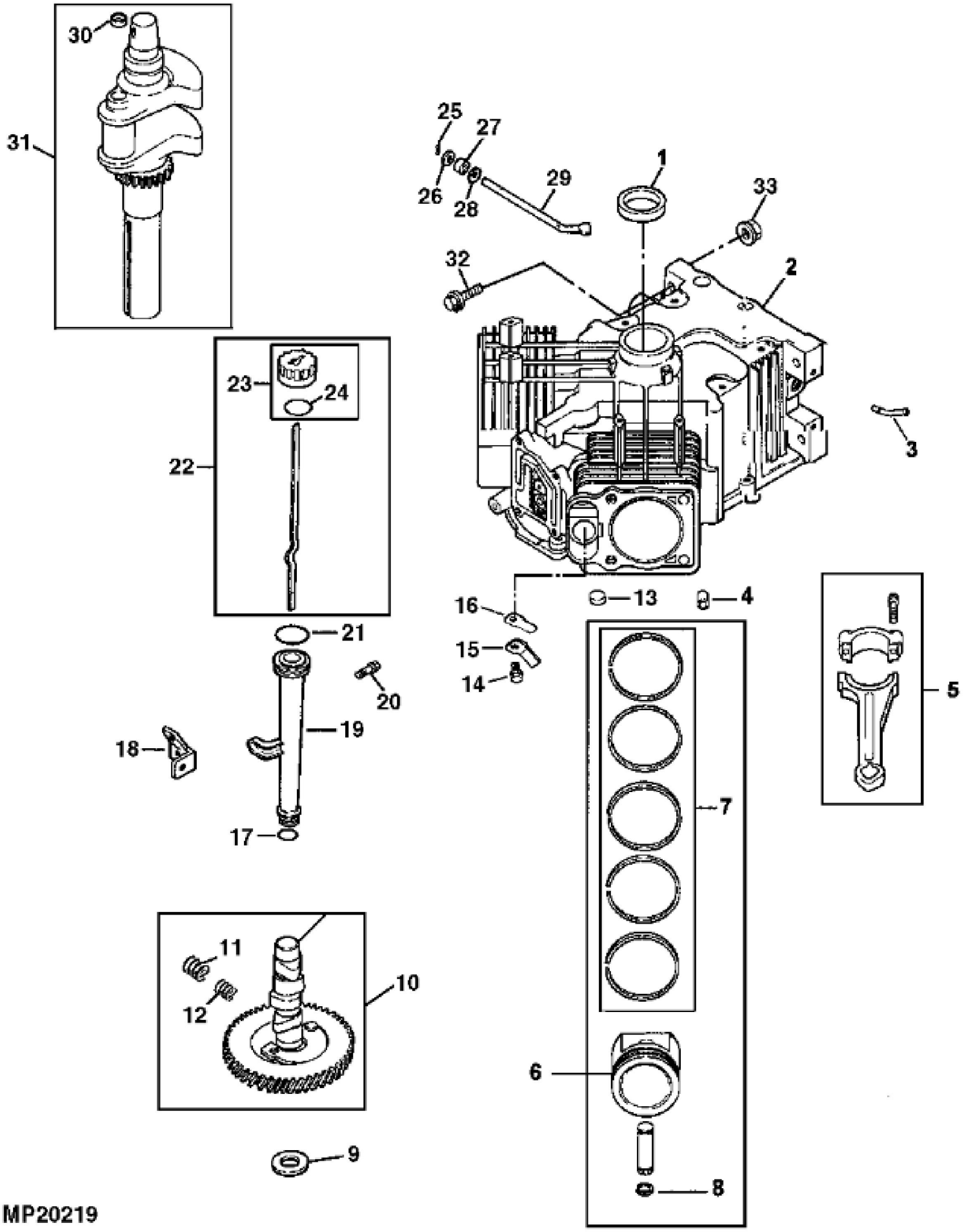
Thank you very much for reading.

Enter the link into your browser.

The full manual is available for immediate download.

<https://www.ebooklibonline.com>

KEY	PART NO.	PART NAME	QTY	REMARKS	
27	MIU11342	HOSE	1	(SUB FOR M134915)	
28	TY22462	CLAMP	2		
29	MIU11341	HOSE	1	(SUB FOR M134917)	
30	M134916	FITTING	1		
31	M134914	SPACER	1		
32	M134913	BRACKET	1		
33	M134912	STRAP	1		
34	MIU14033	SCREW	2		
35	AM126265	SEPARATOR	1	BREATHER	
36	15H558	PIPE PLUG	1	1/8"	
..	AM125389	VALVE TRAIN KIT	1	(INCLUDES PARTS MARKED (A))	



MP20219

KEY	PART NO.	PART NAME	QTY	REMARKS
1	MIU11539	SEAL	1	(SUB FOR M132338)
2	AM131063	CYLINDER BLOCK	1	NLA; SUB FOR AM128632
3	M134898	FITTING	1	
4	MIU11251	DOWEL PIN	6	(SUB FOR M132339)
5	MIU12971	CONNECTING ROD	2	ORDER MIU13923; STD; SUB FOR M134452 OR MIU11256
5	MIU13923	CONNECTING ROD	2	ORDER MIA12812
5	MIA12812	CONNECTING ROD	1	
5	MIA11130	CONNECTING ROD	2	.25 MM (.010") US, (SUB FOR M134453 OR MIA10907)
6	MIA11131	PISTON REPLACEMENT KIT	2	STD (W/RINGS) (SUB FOR AM124976) (SUB MIA11652)
6	MIA11086	PISTON REPLACEMENT KIT	2	.50 MM (.020") OS, (W/RINGS) (SUB FOR AM124977) (SUB MIA11667)
6	MIA11652	PISTON RING KIT	2	(INCLUDES (2) M132341)
7	AM124978	PISTON RING KIT	2	STD
7	AM131084	PISTON RING KIT	2	.50 MM (.020") OS, NLA; SUB FOR AM124979
7	MIA11667	PISTON RING KIT	2	(.50), W/RINGS SET
8	M132341	RETAINER	4	
9	M118585	SHIM	AR	RED
9	M118584	SHIM	AR	BLACK
9	M93955	SOLID SHIM	AR	WHITE
9	M97015	SOLID SHIM	AR	BLUE
9	M96817	SOLID SHIM	AR	YELLOW
9	M96818	SOLID SHIM	AR	GREEN
9	M96819	SOLID SHIM	AR	GRAY
10	AM128621	CAMSHAFT	1	NLA
11	M140022	SPRING	1	(22 MM), NLA; Light
12	M140023	SPRING	1	(9 MM), NLA; Heavy
13	M76215	PLUG	1	
14	M93483	SCREW	2	
15	M134899	RETAINER	2	
16	M134900	BREATHER	2	
17	M92193	O-RING	1	
18	M134901	BRACKET	1	
19	MIU11957	TUBE	1	(SUB FOR M92192)
20	MIU14033	SCREW	1	
21	M92194	O-RING	1	



Suggest:

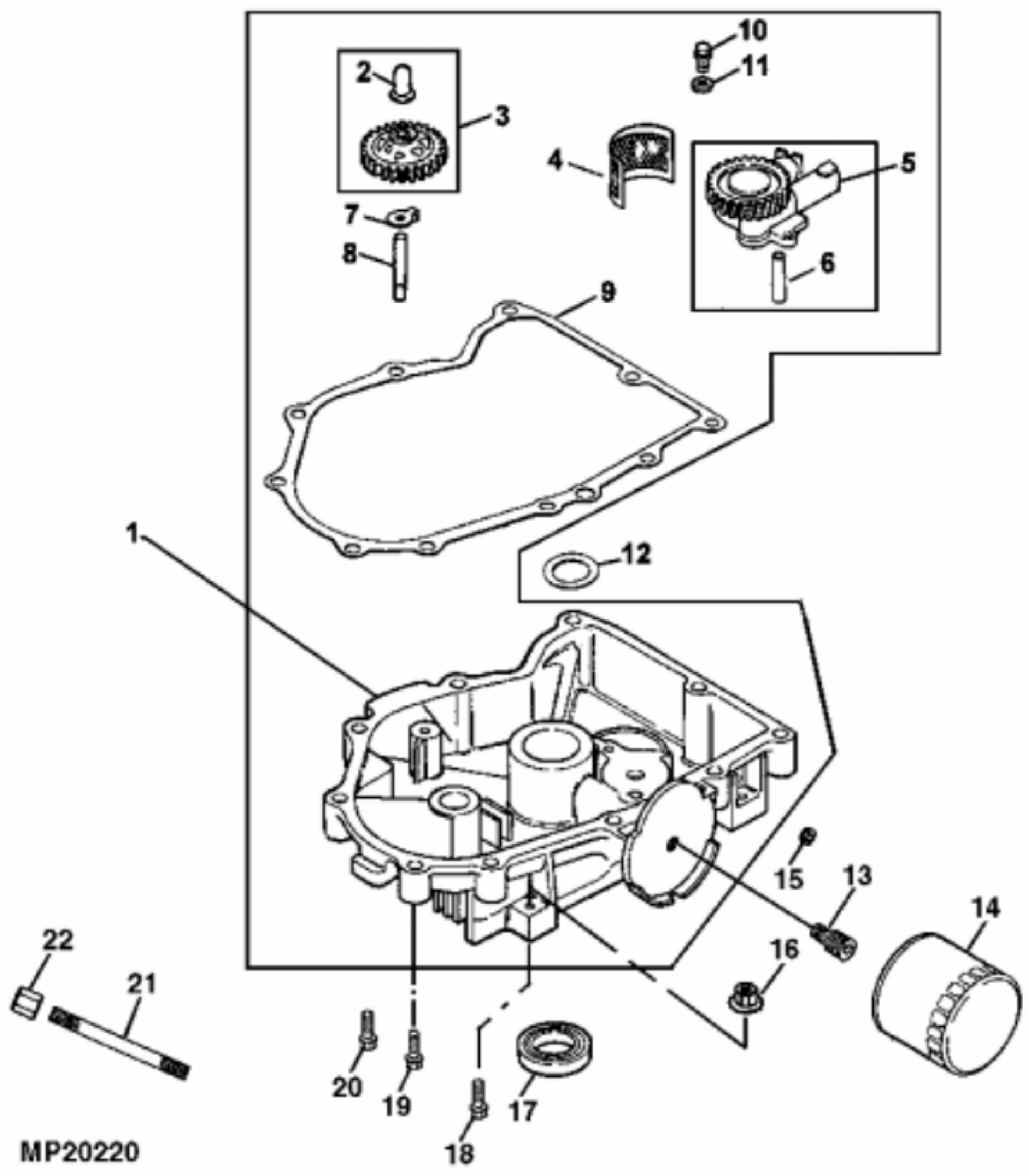
For more complete manuals. Please go to the home page.

<https://www.ebooklibonline.com>

If the above button click is invalid. Please download this document first, and then click the above link to download the complete manual.

Thank you so much for reading

KEY	PART NO.	PART NAME	QTY	REMARKS
22	AM126257	DIPSTICK	1	
23	AM124450	FILLER CAP	1	
24	M148124	O-RING	1	(SUB FOR M92195)
25	M126396	QUICK LOCK PIN	1	
26	M93418	WASHER	1	
27	M92079	SEAL	1	
28	M96520	WASHER	1	
29	M132343	SHAFT	1	NLA; Governor Cross
30	SEAL	1	
31	MIA11970	CRANKSHAFT	1	(SUB FOR AM128620)
32	19M7897	SCREW	4	M8 X 35
33	14M7298	FLANGE NUT	4	M8
34	AM130989	SHORT BLOCK ASSEMBLY	1	NLA; SUB FOR AM128631; Not Illustrated
..	AM127976	ENGINE	1	
..	M140027	LABEL	1	
98	AM117019	GEAR KIT	1	NLA



MP20220

<https://www.ebooklibonline.com>

Hello dear friend!

Thank you very much for reading.

Enter the link into your browser.

The full manual is available for immediate download.

<https://www.ebooklibonline.com>