

KEY	PART NO.	PART NAME	QTY	REMARKS
1	UC11104	DIPSTICK	1	SUB FOR LG499602
2	LG691031	O-RING	1	(SUB FOR LG280393)
3	LG691036	DIPSTICK	1	
4	LG691032	SEAL	1	
5	LG691037	OIL TUBE	1	
6	M153266	SCREW	1	
7	LG391086S	SEAL	1	(SUB FOR LG391086)
8	MIA11778	SEAL KIT	1	(SUB FOR LG499585)
9	LG690959	DOWEL PIN	1	
10	LG690231	CYLINDER	1	(ENGINE MARKED 407777-0027-E1) (SUB FOR LG499584)
10	AM134026	CYLINDER	1	(ENGINE MARKED 406777-0139-E1)
10	MIA11033	CYLINDER	1	NLA; ORDER MIA12510; (USE WITH MIA10361)
10	MIA13076	CYLINDER	1	SUB FOR MIA12510
11	MIU14436	GASKET	1	SUB FOR M150226, LG273488, LG690945 AND MIU13979
12	LG690770	SCREEN	1	(SUB FOR LG491722); NLA ORDER MIU12709
12	MIU12140	SCREEN	1	(USE WITH MIA11584)
12	MIU12709	SCREEN	1	
13	15H623	PIPE PLUG	1	3/8"
13	LG691680	DRAIN PLUG	1	
13	LG690946	DRAIN PLUG	1	(USE WITH MIA11584)
14	LG690954	THREADED NIPPLE	1	(SUB FOR LG231573)
15	15H638	PIPE PLUG	1	1/8"
16	MIU11958	SEAL	1	(SUB FOR LG690947 OR MIU11212)
17	M142284	SEAL	1	NLA; ORDER MIU11284; Governor Shaft
17	MIU11284	SEAL	1	USE WITH MIA11584
18	M142281	BUSHING	1	GOVERNOR CRANK; NLA ORDER MIU12503
18	MIU12503	BUSHING	1	
19	LG690069	RESERVOIR	1	(ENGINE MARKED 407777-0027-E1)
19	AM134054	RESERVOIR	1	NLA (ENGINE MARKED 406777-0139-E1) (SUB MIA11584)
19	MIA11584	RESERVOIR	1	(ALSO INCLUDES MIU12143, MIA11464 AND (3) MIU12142)
20	AM125424	OIL FILTER	1	
21	LG690957	RETAINER	1	
22	MIU11502	BREATHER	1	(SUB FOR LG690956)
23	37H73	SCREW	3	8 X 1/2, (SUB FOR LG690960)
24	LG690942	STRUCTURAL TUBE	1	ORDER MIU11280

<https://www.ebooklibonline.com>

Hello dear friend!

Thank you very much for reading.

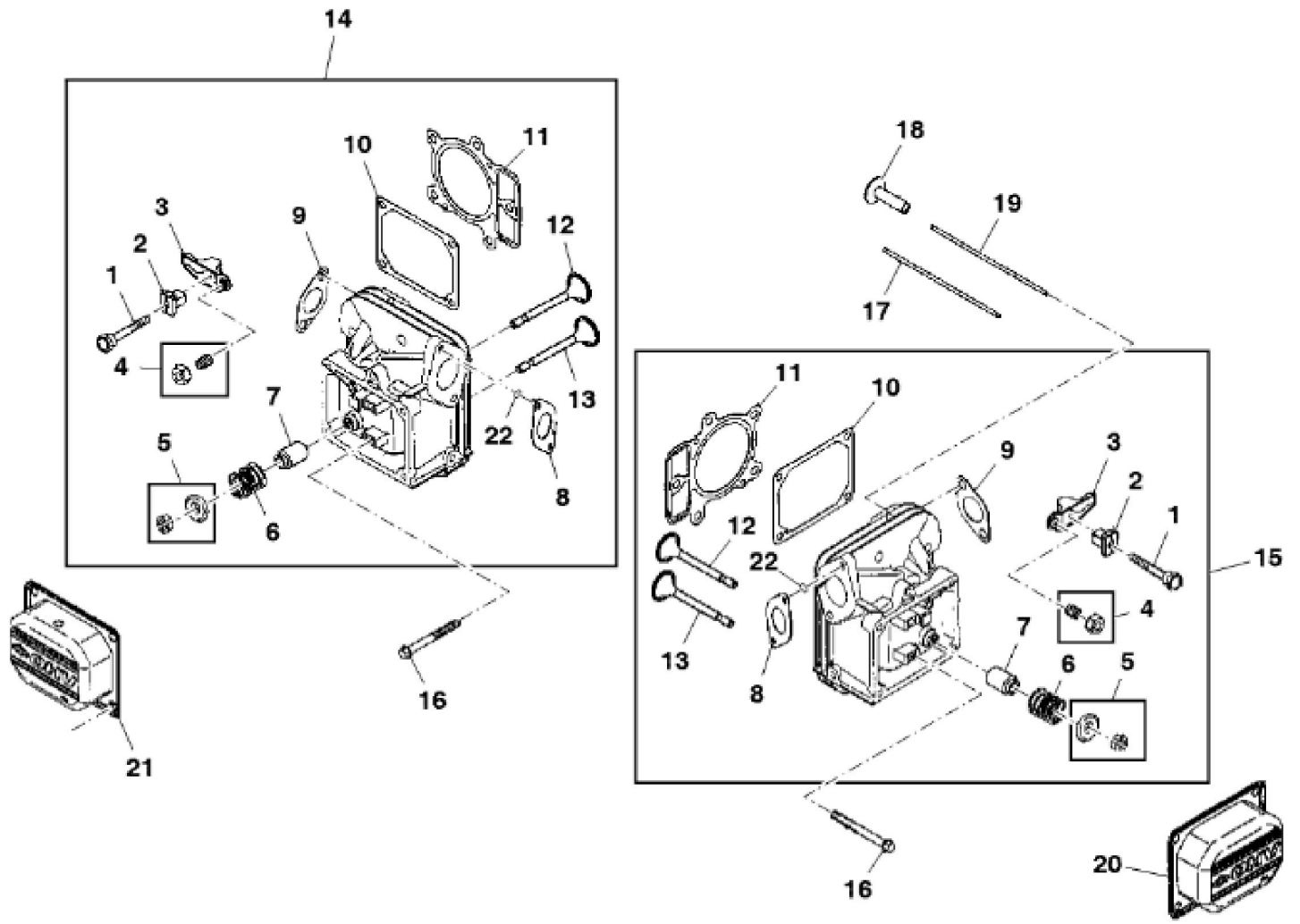
Enter the link into your browser.

The full manual is available for immediate download.

<https://www.ebooklibonline.com>

KEY	PART NO.	PART NAME	QTY	REMARKS
24	MIU14443	TUBE	1	SUB FOR MIU11280
25	LG690937	GASKET	1	(SUB FOR LG273370)
26	MIA10872	BREATHER	1	(SUB FOR LG499601)
27	M142896	SCREW	10	
28	TY22562	BULK HOSE	1	1/2"
29	AM119686	DRAIN VALVE	1	
30	LG691045	CRANK	1	GOVERNOR
31	M142282	BUSHING	2	
32	M142286	RETAINER	1	
33	M142280	WASHER	1	
34	19M7897	SCREW	2	M8 X 35
35	14M7298	FLANGE NUT	4	M8
36	19M7798	SCREW	2	M8 X 40
37	24H1887	WASHER	2	11/32" X 1" X 0.134"
38	LG491657S	PRESSURE SWITCH	1	
..	LG499783	LABEL KIT	1	NLA; Emission
..	AM134844	LABEL KIT	1	NLA; ENGINE (SUB FOR AM131026)
..	AM128538	GASOLINE ENGINE	1	(ENGINE MARKED 407777-0027-E1) (SUB AM133843)
..	MIA10361	GASOLINE ENGINE	1	(ENGINE MARKED 406777-0139-E1) (SUB FOR AM133843)

KEY	PART NO.	PART NAME	QTY	REMARKS
1	MIA11459	CONNECTING ROD	2	(SUB FOR LG499583 OR AM135101)
2	LG690976	SCREW	2	(SUB FOR LG95075)
3	MIA10376	CRANKSHAFT	1	(SUB FOR LG691046)
4	26H4	SHAFT KEY	1	1/8" X 3/8"
5	LG690980	GEAR	1	TIMING
6	LG2226985	SHAFT KEY	1	FLYWHEEL
7	LG690978	CAMSHAFT	1	(ENGINE MARKED 407777-0027-E1)
7	M151221	CAMSHAFT	1	(ENGINE MARKED 406777-0139-E1)
8	MIA11172	OIL PUMP	1	(SUB FOR LG499054)
8	MIU12143	OIL PUMP	1	(USE WITH MIA11584)
9	LG691042	SHAFT	1	SUB FOR LG232159; NLA; ORDER MIA11172
9	MIA11172	OIL PUMP	1	
10	LG499613	COVER	1	
10	MIA11464	COVER	1	(USE WITH MIA11584)
11	LG690589	SEAL	1	(SUB FOR LG280801)
11	MIU12153	SEAL	1	(USE WITH MIA11584)
12	LG691033	SCREW	3	ENGINE MARKED 407777-0027-E1; ORDER MIU11119; Pump Cover
12	MIU11119	SCREW	3	ENGINE MARKED 407777-0027-E1
12	M151228	SCREW	3	ENGINE MARKED 406777-0139-E1
12	MIU12142	SCREW	3	USE WITH MIU12143
13	LG690975	LOCK	2	
14	LG690229	PISTON PIN	2	(SUB FOR LG499582)
15	LG499604	PISTON RING KIT	1	STD (USE WITH LG499588)
15	LG499606	PISTON RING KIT	1	.50 MM (.020") OS, (SUB MIA11102)
15	MIU12013	PISTON RING KIT	1	STD (USE WITH MIA11346)
15	MIU11282	PISTON RING KIT	1	SUB FOR MIU11453; STD
16	MIA11346	PISTON REPLACEMENT KIT	2	STD (SUB FOR LG499588)
16	LG499590	PISTON REPLACEMENT KIT	2	.50 MM (.020") OS, NLA; ORDER MIA11102
16	MIA10996	PISTON	2	(USE WITH MIA10361)
..	MIA11102	PISTON REPLACEMENT KIT	2	.50 MM (.020") OS, (INCLUDES PISTON, RINGS AND LOCK)





Suggest:

For more complete manuals. Please go to the home page.

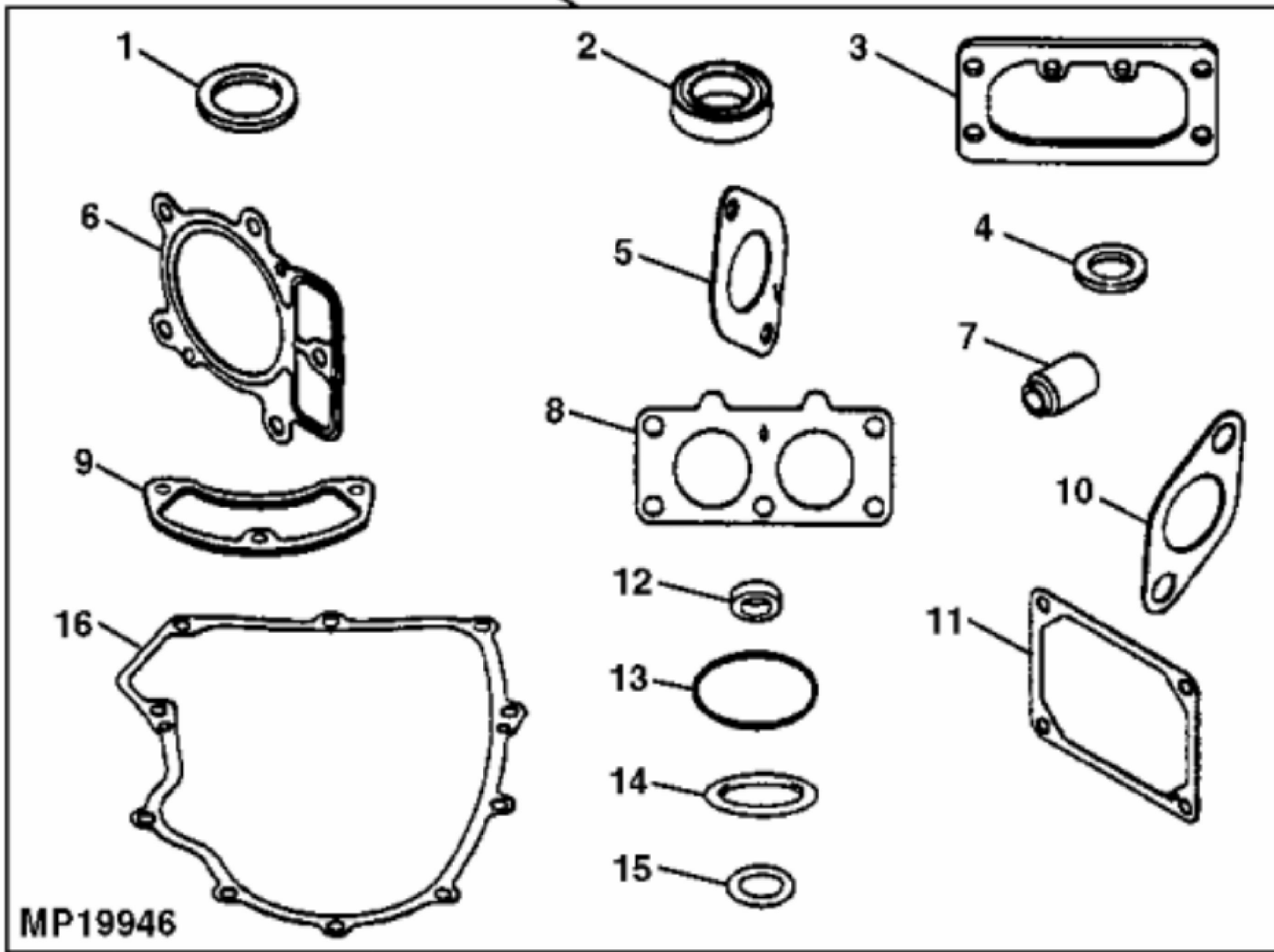
<https://www.ebooklibonline.com>

If the above button click is invalid. Please download this document first, and then click the above link to download the complete manual.

Thank you so much for reading

KEY	PART NO.	PART NAME	QTY	REMARKS
1	M150390	SCREW	1	(SUB FOR LG95164 OR LG690967)
2	MIU11035	ROCKER ARM	1	PIVOT (SUB FOR LG690973)
3	LG690972	ROCKER ARM	1	
4	LG690083	ADJUSTER	1	
5	LG499586	RETAINER	1	VALVE (SUB FOR M144618)
6	MIU11281	SPRING	2	(SUB FOR LG263163 OR LG690963)
6	MIU11281	SPRING	2	(USE WITH MIA11456)
7	LG690968	SEAL	1	VALVE
7	VALVE	2	GUIDE (ORDER MIA10846 OR MIA10876)
8	LG690949	GASKET	1	INTAKE (SUB FOR LG273487)
9	LG690970	GASKET	1	EXHAUST
10	LG690971	GASKET	1	ROCKER COVER (SUB FOR LG273486)
11	LG690962	ENGINE CYLINDER HEAD GASKET	1	
11	M142274	GASKET	1	(USE WITH MIA11456)
12	MIA10874	INTAKE VALVE	1	(SUB FOR LG499597 OR AM132835)
13	LG499596	EXHAUST VALVE	1	
13	MIA11171	EXHAUST VALVE	1	(USE WITH MIA11456)
14	MIA10846	CYLINDER HEAD	1	(NO.1) (SUB FOR LG499587 OR AM130934)
15	MIA11456	CYLINDER HEAD	1	(NO.2) (SUB FOR LG499595 OR M144989 OR MIA10876)
16	LG690360	SCREW	4	(SUB FOR LG94728)
17	LG690981	PUSH ROD	2	EXHAUST (STEEL) (SUB FOR LG498746)
18	LG690977	TAPPET	4	
19	LG690982	PUSH ROD	2	INTAKE (ALUMINUM) (SUB FOR LG498745)
20	LG499600	COVER	1	ROCKER (CYLINDER NO.2)
21	LG499599	COVER	1	ROCKER (CYLINDER NO.1)
22	MIU10608	O-RING	2	NLA; ORDER LG691917
22	LG691917	GASKET	2	

17



MP19946

<https://www.ebooklibonline.com>

Hello dear friend!

Thank you very much for reading.

Enter the link into your browser.

The full manual is available for immediate download.

<https://www.ebooklibonline.com>