

MP30535

John Deere > Turf And Utility >TRACTOR, LAWN AND GARDEN >SCOTTS - TRACTOR, LAWN AND GARDEN >Scotts S1642 Tractors >20 ENGINE (MARKED CV16S-43518) GU10348 >ST580223 - CYLINDER HEAD AND ROCKER ARM

| KEY | PART NO. | PART NAME | QTY | REMARKS |
|-----|----------|-----------------------------|-----|--|
| 1 | 37M7131 | SCREW | 5 | M6 X 20 |
| 2 | 37M7091 | SCREW | 2 | M6 X 25 |
| 3 | M124985 | STRAP | 1 | LIFT |
| 4 | M92209 | COVER | 1 | VALVE |
| 5 | TY22462 | CLAMP | 2 | HOSE |
| 6 | M92212 | TUBE | 1 | BREATHER |
| 7 | MIU13278 | VALVE LIFTER | 2 | SUB FOR M137271 or MIU11034 or MIU12989 |
| 8 | M149342 | PUSH ROD | 2 | (SUB FOR M149342) |
| 9 | M124986 | ENGINE CYLINDER HEAD GASKET | 1 | |
| 10 | 15H558 | PIPE PLUG | 1 | 1/8" |
| 11 | | INTAKE VALVE | 1 | (A), STD |
| 11 | M92213 | INTAKE VALVE | 1 | .25 MM (.010") OS |
| 12 | | EXHAUST VALVE | 1 | (B), STD |
| 12 | M92214 | EXHAUST VALVE | 1 | .25 MM (.010") OS |
| 13 | | CYLINDER HEAD | 1 | |
| 14 | M120417 | WASHER | 1 | |
| 15 | M120286 | SPACER | 1 | (HEAD BOLT, EXHAUST PORT) |
| 16 | M149264 | BOLT | 5 | CYLINDER HEAD (SUB FOR M92367) |
| 17 | M146624 | SPRING | 2 | (A), (B) |
| 18 | M92203 | CAP | 2 | (A), (B) |
| 19 | AM107043 | RETAINER | 2 | (A), (B) |
| 20 | M43123 | RETAINER | 1 | (B) |
| 21 | 19M8290 | SCREW | 2 | M6 X 35 |
| 22 | M131132 | PIVOT | 2 | |
| 23 | M131133 | ROCKER ARM | 2 | |
| 24 | AM125352 | HEAD KIT | 1 | CYLINDER HEAD (INCLUDES GASKETS) |
| 25 | AM117016 | BREATHER KIT | 1 | BREATHER;ORDER M153533,M92210 and M93483 |
| 26 | M93483 | SCREW | 1 | |
| 27 | M153533 | RETAINER | 1 | |
| 28 | M92210 | BEAM | 1 | |
| 29 | M139792 | BRACKET | 1 | |
| 30 | AM119712 | INTAKE VALVE | 1 | ORDER AM107043 , M146624 , M92200 AND M92203 ; Not Illustrated |
| 31 | AM119711 | EXHAUST VALVE | 1 | (INCLUDES PARTS MARKED (B));Not Illustrated |

<https://www.ebooklibonline.com>

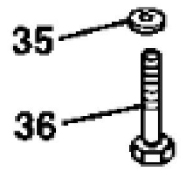
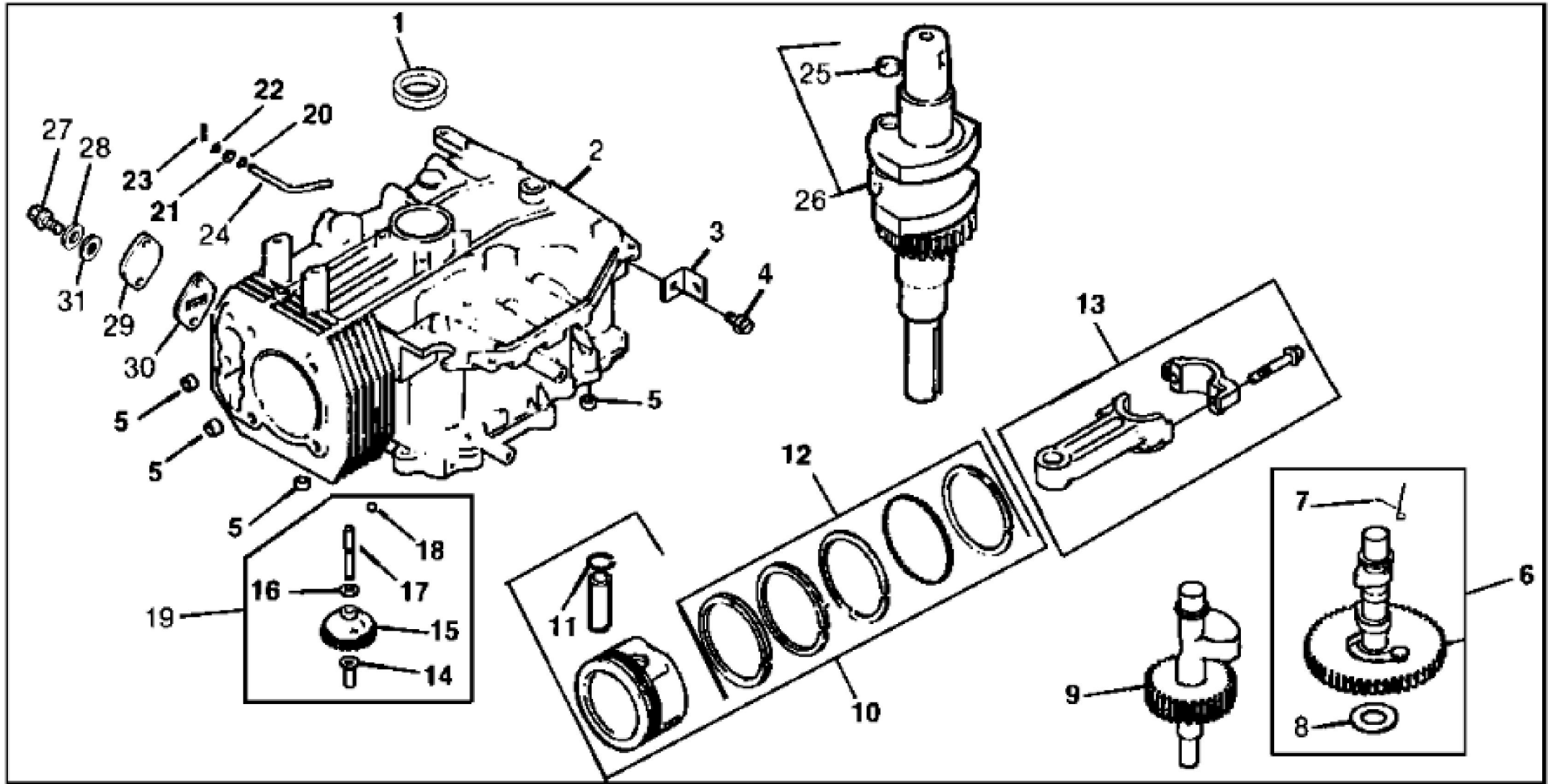
Hello dear friend!

Thank you very much for reading.

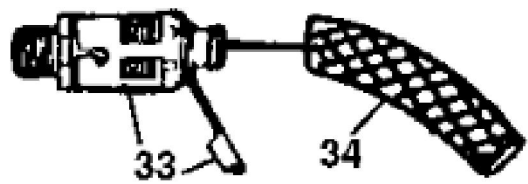
Enter the link into your browser.

The full manual is available for immediate download.

<https://www.ebooklibonline.com>



32

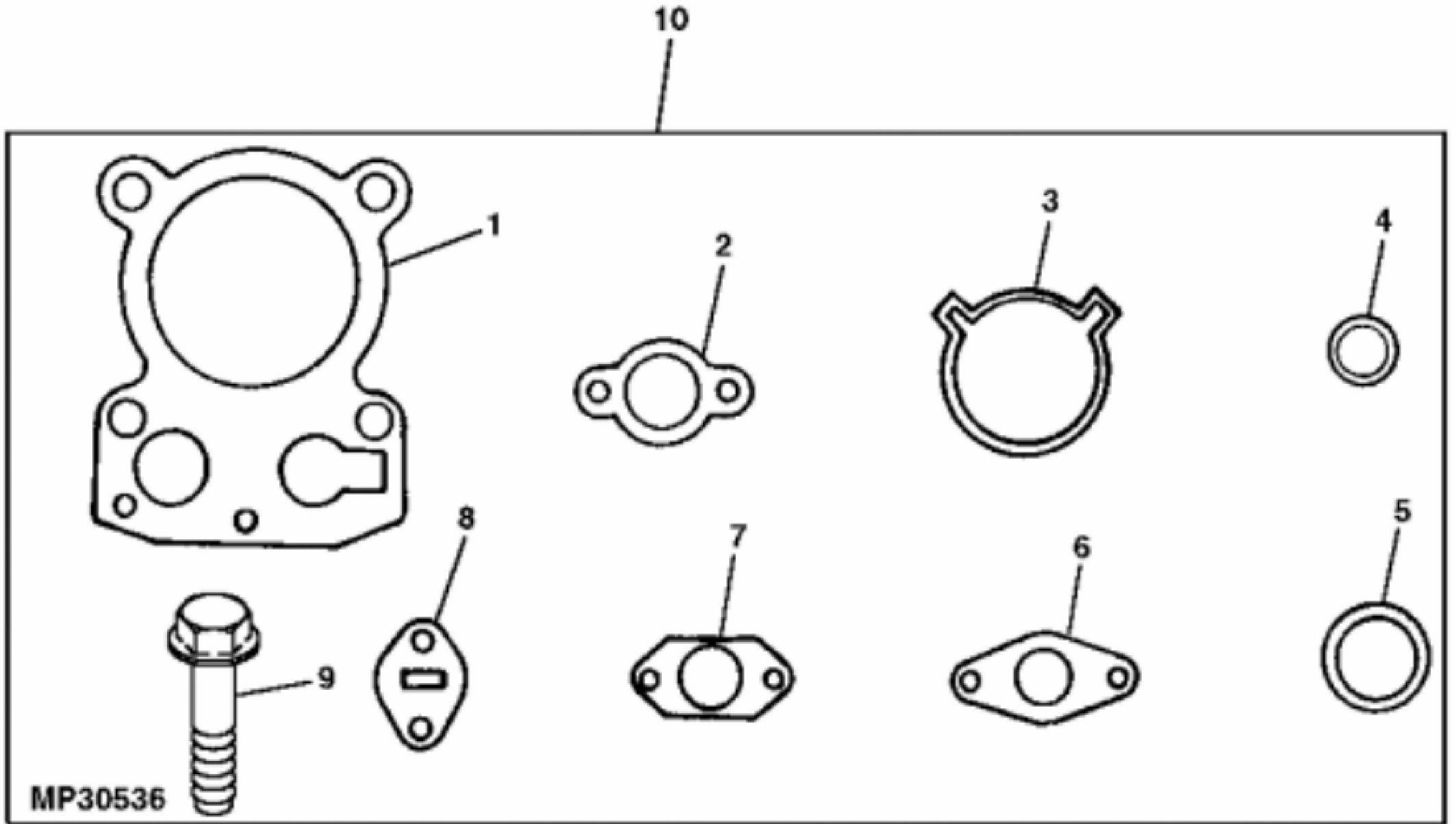


MP22307

CRANKSHAFT, PISTON AND SHORT BLOCK

| KEY | PART NO. | PART NAME | QTY | REMARKS |
|-----|----------|------------------------|-----|--|
| 1 | M92074 | SEAL | 1 | |
| 2 | | CYLINDER BLOCK | 1 | |
| 3 | M92069 | STRAP | 1 | |
| 4 | 19M7867 | SCREW | 1 | M8 X 25 |
| 5 | M132339 | DOWEL PIN | 4 | LOCATING |
| 6 | AM123079 | KIT | 1 | CAMSHAFT (METAL GEAR) |
| 7 | MIU10690 | SPRING | 1 | ACTUATING (SUB FOR M133017) |
| 8 | M93955 | SOLID SHIM | 1 | (.73 MM/ .029"), (WHITE) |
| 8 | M97015 | SOLID SHIM | 1 | (.75 MM/ .030"), (BLUE) |
| 8 | M118585 | SHIM | 1 | (.81 MM/ .032"), (RED) |
| 8 | M96817 | SOLID SHIM | 1 | (.86 MM/ .034"), (YELLOW) |
| 8 | M96818 | SOLID SHIM | 1 | (.91 MM/ .036"), (GREEN) |
| 8 | M96819 | SOLID SHIM | 1 | (.96 MM/ .038"), (GRAY) |
| 8 | M118584 | SHIM | 1 | (1.02 MM/ .040"), (BLACK) |
| 9 | M126874 | SHAFT | 1 | BALANCE |
| 10 | AM122461 | PISTON REPLACEMENT KIT | 1 | STD |
| 10 | AM122463 | PISTON REPLACEMENT KIT | 1 | .50 MM (.020") OS |
| 11 | M92077 | RETAINER | 2 | PISTON PIN |
| 12 | AM122468 | PISTON RING KIT | 1 | STD |
| 12 | AM122470 | PISTON RING KIT | 1 | .50 MM (.020") OS |
| 13 | M92075 | CONNECTING ROD | 1 | STD |
| 13 | M92076 | CONNECTING ROD | 1 | .25 MM (.010") US |
| 14 | M92083 | PIN | 1 | |
| 15 | M92082 | GEAR | 1 | |
| 16 | M93418 | WASHER | 1 | |
| 17 | M92081 | SHAFT | 1 | |
| 18 | M76215 | PLUG | 1 | |
| 19 | AM117019 | GEAR KIT | 1 | NLA; ORDER M76215, M92081, M92082, M92083 AND M93418 |
| 20 | M96520 | WASHER | 1 | |
| 21 | M92079 | SEAL | 1 | |
| 22 | M93419 | WASHER | 1 | |
| 23 | M126396 | QUICK LOCK PIN | 1 | |
| 24 | AM123070 | SHAFT | 1 | GOVERNOR (INCLUDES M126396) |

| KEY | PART NO. | PART NAME | QTY | REMARKS |
|-----|----------|----------------------|-----|---|
| 25 | | PLUG | 1 | |
| 26 | AM121531 | CRANKSHAFT | 1 | (ALSO ORDER 19M7944) |
| 27 | 37M7090 | SCREW | 2 | M6 X 16 |
| 28 | 12H302 | LOCK WASHER | 2 | 1/4" |
| 29 | M42101 | COVER | 1 | |
| 30 | M126886 | GASKET | 1 | |
| 31 | 24H1287 | WASHER | 2 | 9/32" X 5/8" X 0.065" |
| 32 | AM125360 | SHORT BLOCK ASSEMBLY | 1 | |
| 33 | AM119686 | DRAIN VALVE | 1 | |
| 34 | | BULK HOSE | 1 | (MAKE FROM TY22562) |
| 35 | 24H1887 | WASHER | 2 | 11/32" X 1" X 0.134", (ENGINE MOUNTING) |
| 36 | 19M7798 | SCREW | 2 | M8 X 40, (ENGINE MOUNTING) |
| 36 | 19M7897 | SCREW | 2 | M8 X 35, (ENGINE MOUNTING) |
| .. | GY00137 | GASOLINE ENGINE | 1 | 16 HP, (ENGINE MARKED CV16S-43518) (SUB GY00216) |
| .. | GY00216 | GASOLINE ENGINE | 1 | 16 HP, (ENGINE MARKED CV16S-43526) (SUB AM125360) |
| .. | AM125360 | SHORT BLOCK ASSEMBLY | 1 | |





Suggest:

For more complete manuals. Please go to the home page.

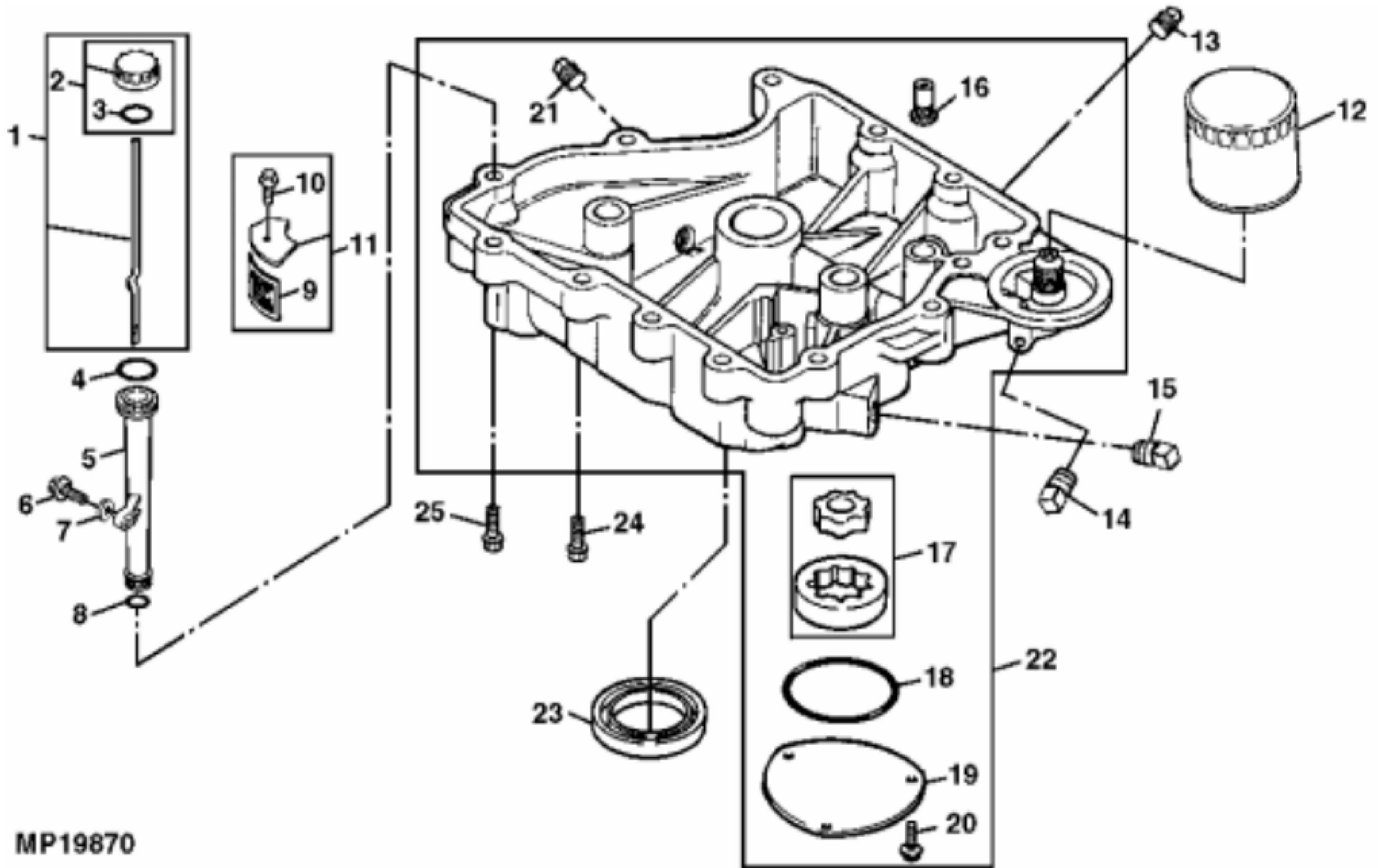
<https://www.ebooklibonline.com>

If the above button click is invalid. Please download this document first, and then click the above link to download the complete manual.

Thank you so much for reading

John Deere > Turf And Utility >TRACTOR, LAWN AND GARDEN >SCOTTS - TRACTOR, LAWN AND GARDEN >Scotts S1642 Tractors >20 ENGINE (MARKED CV16S-43518) GU10348 >ST580225 - ENGINE GASKET KIT

| KEY | PART NO. | PART NAME | QTY | REMARKS | |
|-----|----------|-----------------------------|-----|----------------------|--|
| 1 | M124986 | ENGINE CYLINDER HEAD GASKET | 1 | | |
| 2 | M92356 | GASKET | 1 | AIR CLEANER | |
| 3 | M92181 | O-RING | 1 | OIL PUMP COVER | |
| 4 | M92193 | O-RING | 2 | LOWER, OIL FILL TUBE | |
| 5 | M92074 | SEAL | 2 | CRANKSHAFT | |
| 6 | M92365 | GASKET | 2 | MUFFLER | |
| 7 | AM107046 | GASKET | 2 | CARBURETOR | |
| 8 | M126886 | GASKET | 1 | FUEL PUMP | |
| 9 | M149264 | SCREW | 5 | (SUB FOR M92367) | |
| 10 | AM130690 | GASKET KIT | 1 | (SUB FOR AM125358) | |



MP19870

<https://www.ebooklibonline.com>

Hello dear friend!

Thank you very much for reading.

Enter the link into your browser.

The full manual is available for immediate download.

<https://www.ebooklibonline.com>