

John Deere > Turf And Utility >MOWER, RIDING >S92 - MOWER, RIDING >S80,S82 and S92 Riding Mowers >20 ENGINE AM100175, AM100176, AM100930 >ST606122 - CYLINDER BLOCK, CYLINDER HEAD AND BREATHER (S92)

KEY	PART NO.	PART NAME	QTY	Serial No.	REMARKS
1	M82247	SCREW	1		3"
2	M82677	COVER	1		
3	21H1300	SCREW	1		0.190" X 3/8"
3	12H246	LOCK WASHER	1		0.190"
4	M82676	SHIELD	1		
5	M82655	SEAL	1		
6	M93280	BEARING	1		
7	AM39696	CYLINDER	1		(AM39696 CYLINDER AND AM100300 CYLINDER COMPONENTS ARE NOT INTERCHANGEABLE.)
8	AM109170	KIT	1		(SUB FOR M81471)
9	M82658	TUBE	1		
10	21H1317	SCREW	2		0.190" X 5/8"
10	12H246	LOCK WASHER	2		0.190"
11	AM35790	BREATHER	1		
12	M49295	GASKET	1		
13	LG231218	GUIDE	1		NLA; SUB FOR M84244; Exhaust, Brass
13	M86865	GUIDE	1		(EXHAUST) (SINTERED)
14	M82692	VALVE SEAT INSERT	1		(EXHAUST) (STD)
15	M82691	VALVE SEAT INSERT	1		(INTAKE) (STD)
16	M71852	GASKET	1		(SUB FOR M82657)
17	M88433	CYLINDER HEAD	1		(SUB FOR M82656)
..	AM39976	GASOLINE ENGINE	1	285001-292179	(SUB AM100930)
..	AM100930	GASOLINE ENGINE	1	292180-_____	(ORDER AM100894 SHORT BLOCK)

<https://www.ebooklibonline.com>

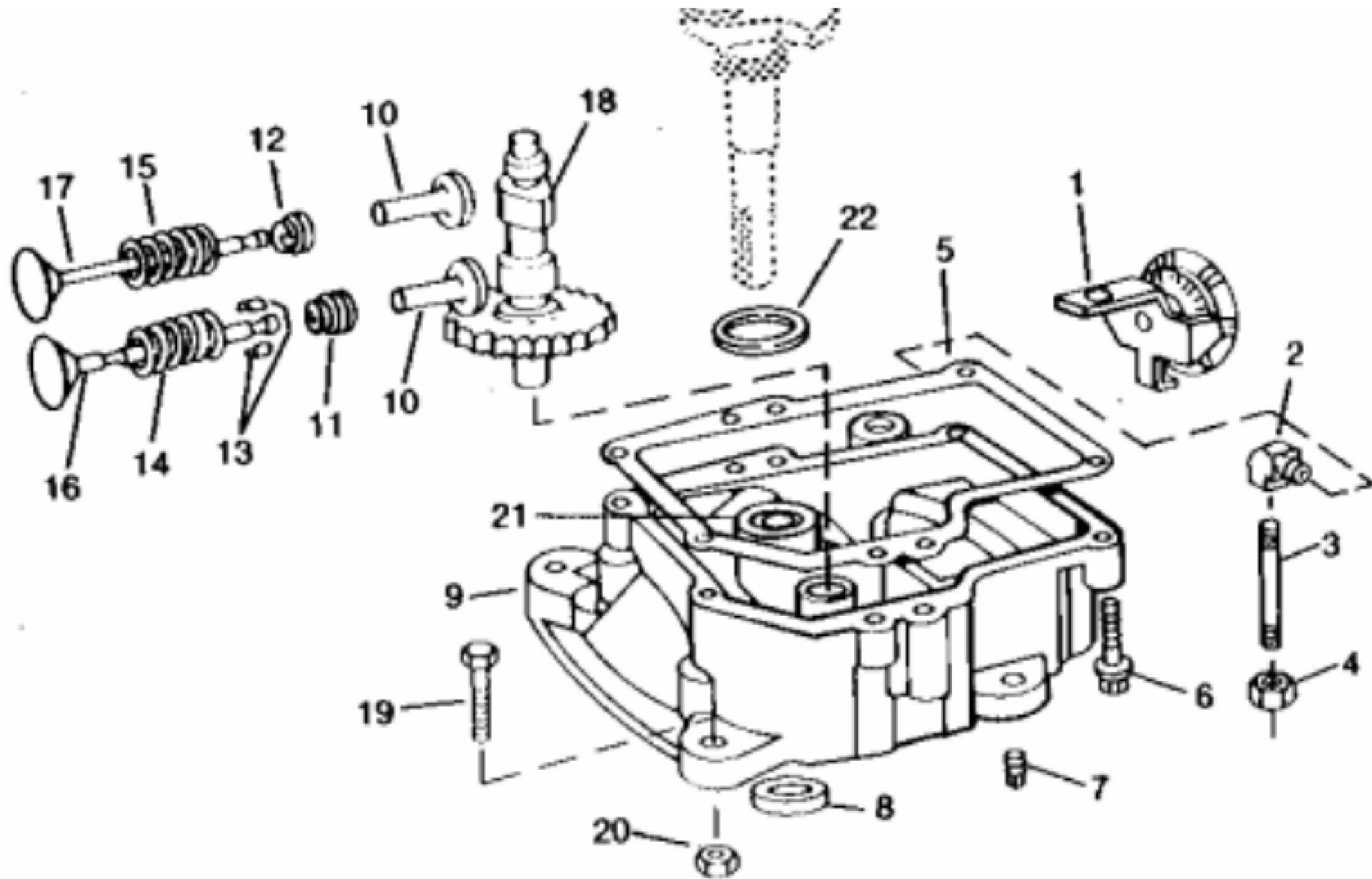
Hello dear friend!

Thank you very much for reading.

Enter the link into your browser.

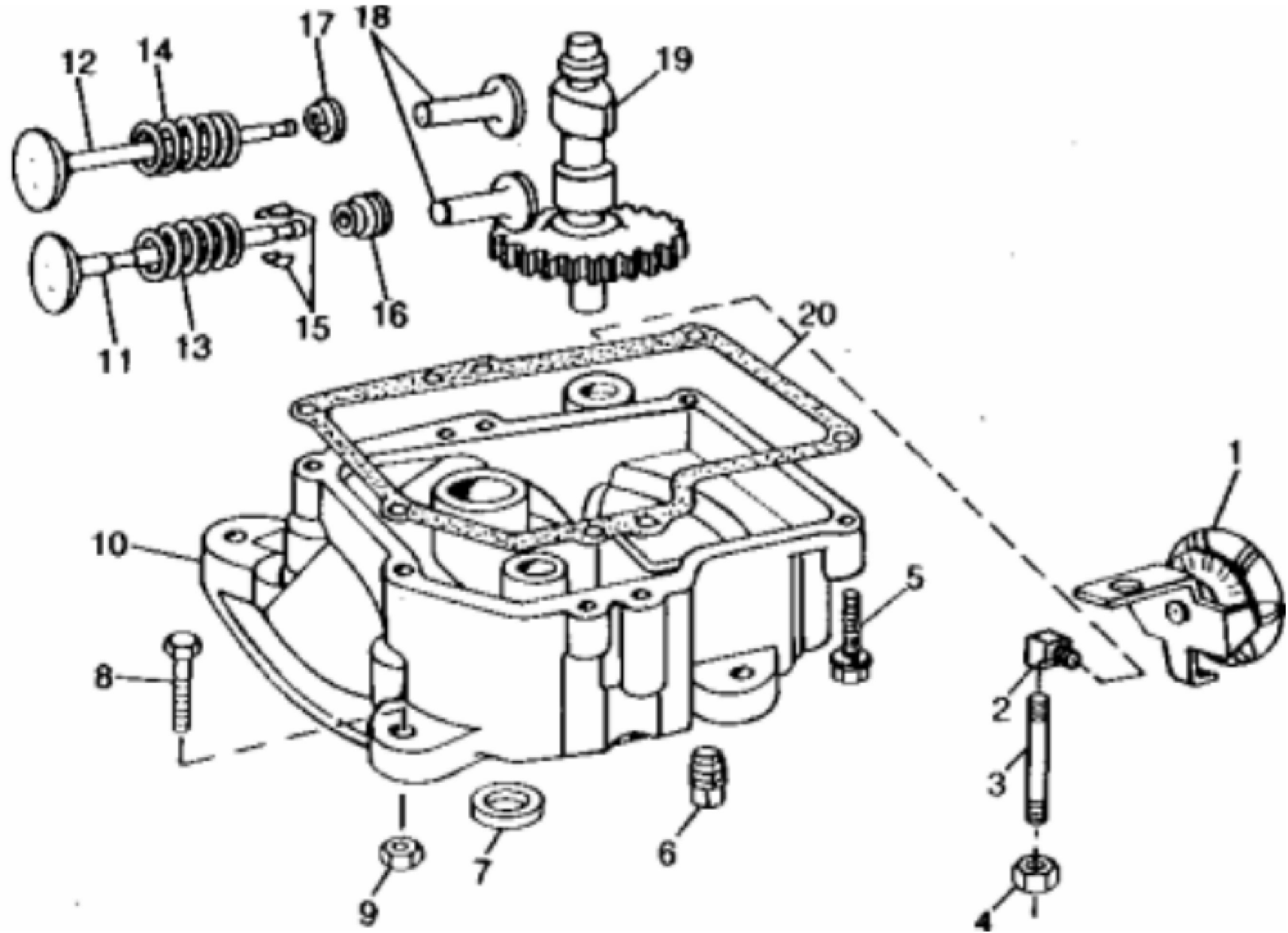
The full manual is available for immediate download.

<https://www.ebooklibonline.com>



John Deere > Turf And Utility >MOWER, RIDING >S92 - MOWER, RIDING >S80,S82 and S92 Riding Mowers >20 ENGINE AM100175, AM100176, AM100930 >ST606123 - VALVES, CAMSHAFT AND ENGINE BASE (S80, S82)

KEY	PART NO.	PART NAME	QTY	REMARKS
1	AM107734	OIL SLINGER	1	(SUB FOR AM37066)
2	M83906	ELBOW FITTING	1	90°, (SUB FOR M85427)
3	29H167	THREADED NIPPLE	1	3/8"
4	M48867	PIPE PLUG	1	
5	M87680	GASKET	1	.015", (SUB FOR M49294)
5	M49296	GASKET	1	.005"
5	M49297	GASKET	1	.009"
6	19H2569	CAP SCREW	6	5/16" X 1-5/8"
6	12H303	LOCK WASHER	6	5/16"
7	15H266	PIPE PLUG	1	3/8"
8	M82655	SEAL	1	
9	M49328	RESERVOIR	1	
10	M49318	TAPPET	2	
11	M49323	ROTATOR	1	
12	M49312	RETAINER	1	
13	M49302	RETAINER	2	
14	M49293	COMPRESSION SPRING	1	
15	M49298	COMPRESSION SPRING	1	
16	M49320	EXHAUST VALVE	1	EXHAUST
17	M49319	INTAKE VALVE	1	INTAKE
18	M80295	CAMSHAFT	1	
19	19H1849	CAP SCREW	4	5/16" X 1-1/4"
20	14H785	NUT	4	5/16"
21	M49326	BUSHING	1	
22	M83159	THRUST WASHER	1	





Suggest:

For more complete manuals. Please go to the home page.

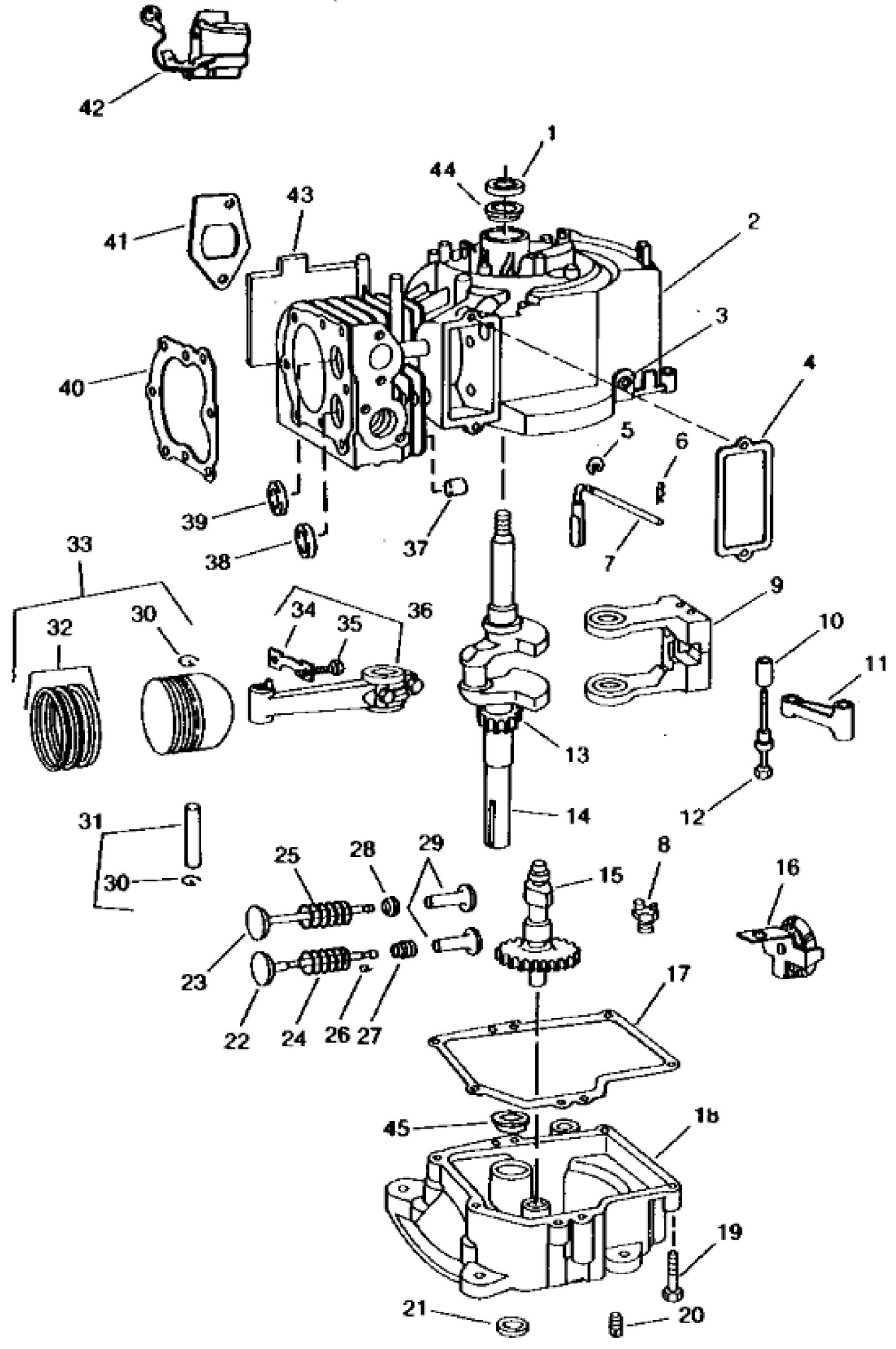
<https://www.ebooklibonline.com>

If the above button click is invalid. Please download this document first, and then click the above link to download the complete manual.

Thank you so much for reading

John Deere > Turf And Utility >MOWER, RIDING >S92 - MOWER, RIDING >S80,S82 and S92 Riding Mowers >20 ENGINE AM100175, AM100176, AM100930 >ST606124 - VALVES, CAMSHAFT AND MOUNTING FLANGE (S92)

KEY	PART NO.	PART NAME	QTY	REMARKS
1	AM37810	OIL SLINGER	1	
2	M83906	ELBOW FITTING	1	(SUB FOR M85427)
3	29H167	THREADED NIPPLE	1	3/8"
4	M48867	PIPE PLUG	1	
5	19H2569	CAP SCREW	6	5/16" X 1-5/8"
5	12H303	LOCK WASHER	6	5/16"
6	15H266	PIPE PLUG	1	3/8"
7	M82662	SEAL	1	.015"
8	19H1849	CAP SCREW	4	5/16" X 1-1/4"
9	14H785	NUT	4	5/16"
10	AM37797	BASE	1	
11	M82666	EXHAUST VALVE	1	
12	M82667	INTAKE VALVE	1	
13	M49293	COMPRESSION SPRING	1	
14	M49298	COMPRESSION SPRING	1	
15	M49302	RETAINER	2	
16	M49323	ROTATOR	1	
17	M49312	RETAINER	1	
18	M82668	TAPPET	2	
19	M88147	CAM	1	(SUB FOR M82669)
20	M87681	GASKET	1	.015", (SUB FOR M82659 AND M70641)
20	M82660	GASKET	1	.005"
20	M82661	GASKET	1	.009"
20	M70641	GASKET	1	.015"



<https://www.ebooklibonline.com>

Hello dear friend!

Thank you very much for reading.

Enter the link into your browser.

The full manual is available for immediate download.

<https://www.ebooklibonline.com>