

KEY	PART NO.	PART NAME	QTY	REMARKS
1	M82247	SCREW	9	
2	M82677	COVER	1	
3	21H1300	SCREW	1	0.190" X 3/8"
4	12H246	LOCK WASHER	3	0.190"
5	M82676	SHIELD	1	
6	M82655	SEAL	1	
7	M93280	BEARING	1	
8	AM39696	CYLINDER	1	(INCLUDES M82655)
9	AM109170	KIT	1	GOVERNOR BUSHING, (SUB FOR M81471)
10	M82658	TUBE	2	
11	21H1317	SCREW	2	0.190" X 5/8"
12	AM35790	BREATHER	1	
13	M49295	GASKET	1	
14	M84244	GUIDE	1	INTAKE (BRASS)
14	M86865	GUIDE	1	EXHAUST (SINTERED)
15	M82692	VALVE SEAT INSERT	1	EXHAUST
15	M82691	VALVE SEAT INSERT	1	INTAKE
16	M71852	GASKET	1	(SUB FOR M82657)
17	M88433	CYLINDER HEAD	1	
..	AM100902	GASOLINE ENGINE	1	

<https://www.ebooklibonline.com>

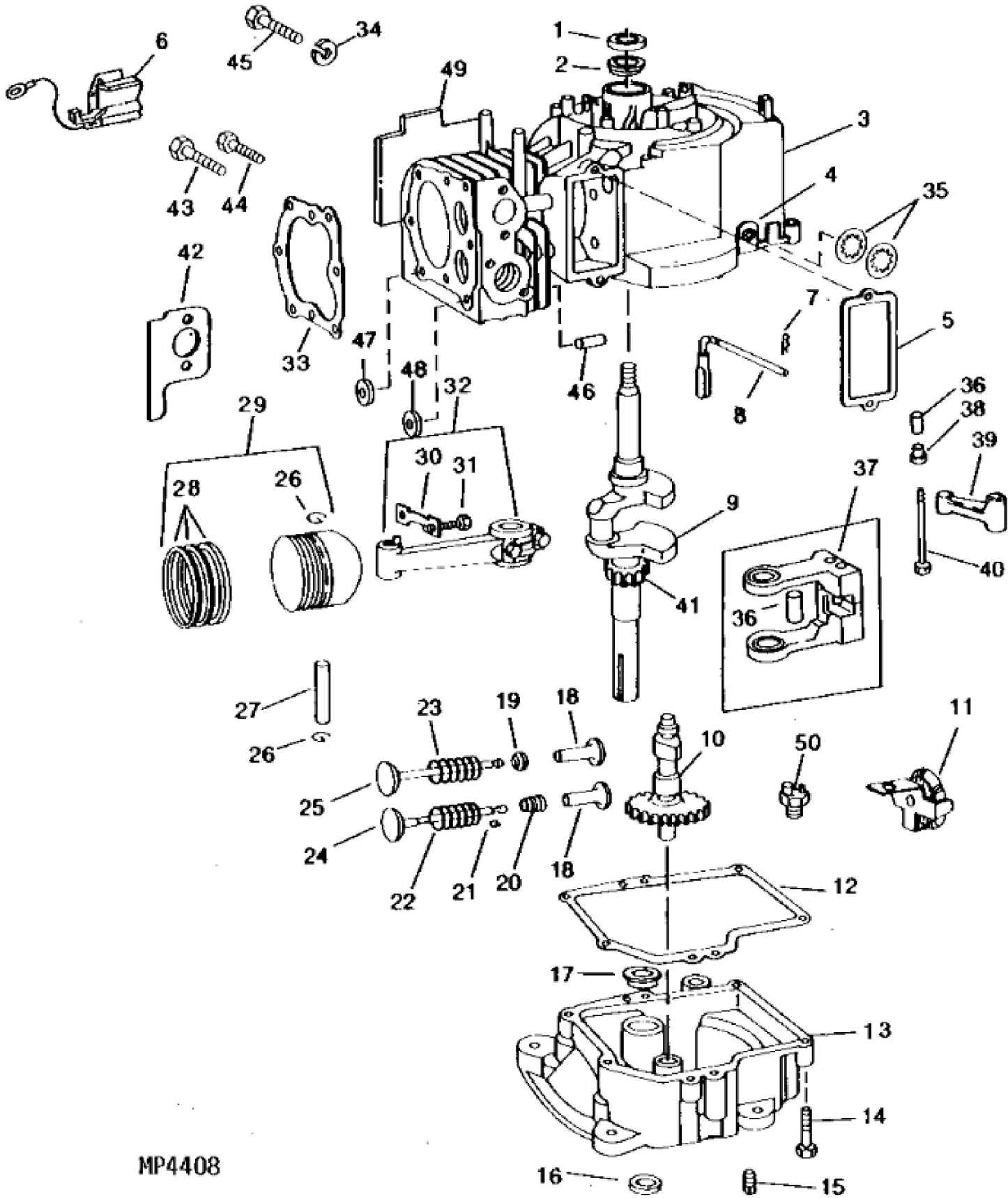
Hello dear friend!

Thank you very much for reading.

Enter the link into your browser.

The full manual is available for immediate download.

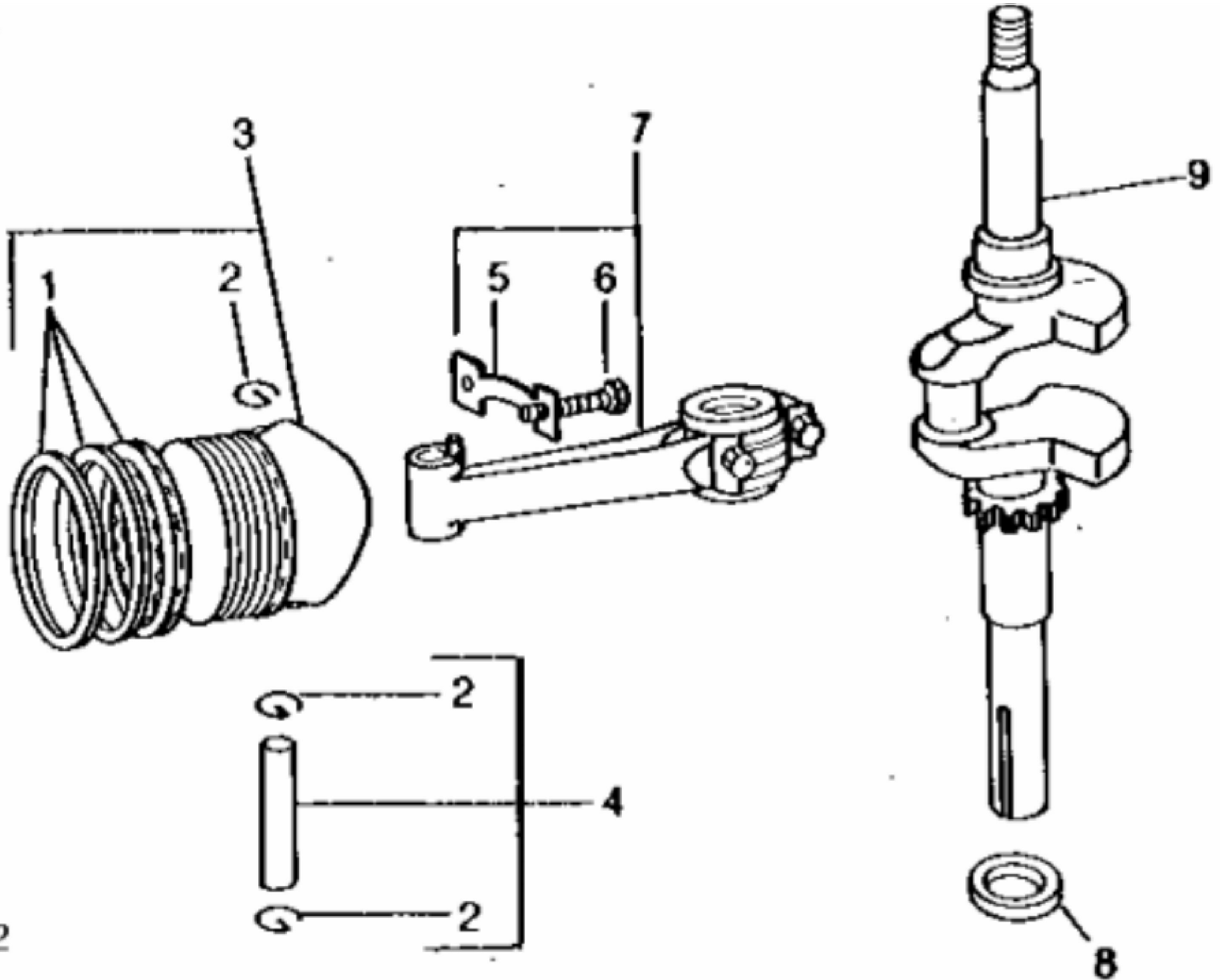
<https://www.ebooklibonline.com>



MP4408

KEY	PART NO.	PART NAME	QTY	REMARKS
1	M49324	SEAL	1	(A) (B)
2	M86839	BUSHING	1	(A) (B)
3	AM101461	CYLINDER BLOCK	1	(A)
3	AM102794	CYLINDER	1	(A) (SUB FOR AM38309)
3	AM102753	CYLINDER	1	(B) (INCLUDES M49324)
4	AM109170	KIT	1	(A) (B) (SUB FOR M81471)
5	M49295	GASKET	1	(A) (B) VALVE COVER
6	AM39008	TRIGGER COIL	1	(B)
7	M49301	SPRING LOCKING PIN	1	(A) (B)
8	M81470	SHAFT	1	(A) (B)
9	AM36280	CRANKSHAFT	1	(A)
9	AM102754	CRANKSHAFT	1	(B)
10	M80295	CAMSHAFT	1	(A) (B)
11	AM107734	OIL SLINGER	1	(A) (B) (SUB FOR AM37066)
12	M70640	GASKET	1	(A) (B) .015", (SUB FOR M49294 AND M87680)
12	M49296	GASKET	1	(A) (B) .005", (CRANK CASE)
12	M49297	GASKET	1	(A) (B) .009", (CRANK CASE)
13	AM100918	BASE	1	INCLUDES CRANKCASE GASKET AND M82655 SEAL
14	19H2569	CAP SCREW	6	(A) (B)
14	12H303	LOCK WASHER	6	(A)
15	15H266	PIPE PLUG	1	(A) (B)
16	M82655	SEAL	1	(A) (B)
17	M49326	BUSHING	1	(A) (B)
18	M49318	TAPPET	2	(A) (B)
19	M49312	RETAINER	1	(A) (B)
20	M49323	ROTATOR	1	(A) (B)
21	M49302	RETAINER	2	(A) (B)
22	M49293	COMPRESSION SPRING	1	(A) (B)
23	M49298	COMPRESSION SPRING	1	(A) (B)
24	M49320	EXHAUST VALVE	1	(A)
24	PT4294	EXHAUST VALVE	1	(B)
25	M49319	INTAKE VALVE	1	(A) (B)
26	M49299	LOCK	1	(A) (B)
27	AM35740	PIN FASTENER	1	(A) (B)
27	AM36284	PIN FASTENER	1	(A) (B) .005" O.S.

KEY	PART NO.	PART NAME	QTY	REMARKS	
28	AM35765	PISTON RING KIT	1	(A) STD.	
28	AM35766	PISTON RING KIT	1	(A) .010" O.S.	
28	AM35767	PISTON RING KIT	1	(A) .020" O.S.	
28	AM35768	PISTON RING KIT	1	(A) .030" O.S.	
28	PT5822	PISTON RING KIT	1	(B) STD.	
28	PT5823	PISTON RING KIT	1	(B) .010" O.S.	
28	PT5824	PISTON RING KIT	1	(B) .020" O.S.	
28	PT5825	PISTON RING KIT	1	(B) .030" O.S.	



MP3822



Suggest:

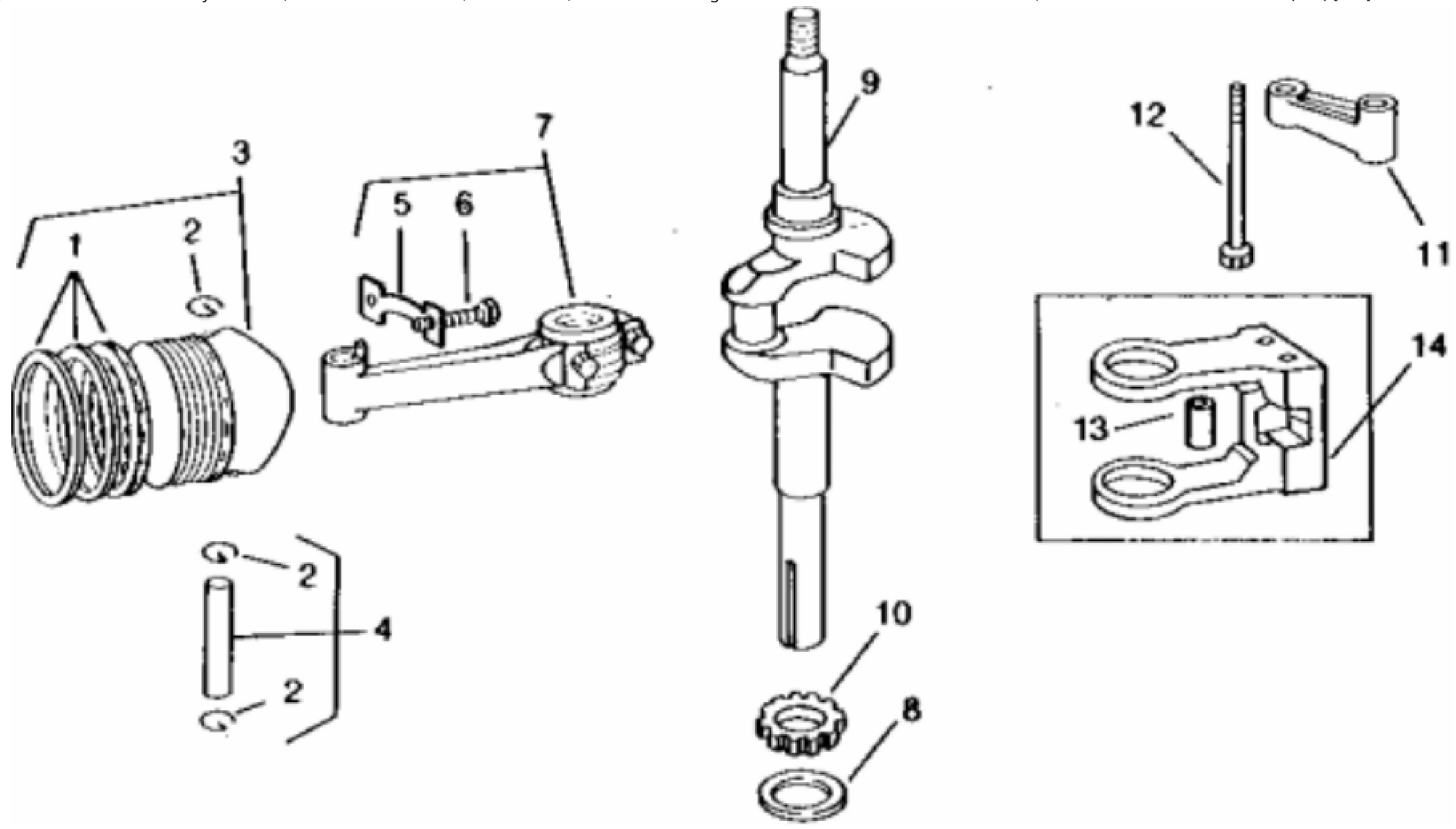
For more complete manuals. Please go to the home page.

<https://www.ebooklibonline.com>

If the above button click is invalid. Please download this document first, and then click the above link to download the complete manual.

Thank you so much for reading

KEY	PART NO.	PART NAME	QTY	REMARKS
1	AM35764	PISTON RING KIT	1	CHROME
1	AM35765	PISTON RING KIT	1	STANDARD
1	AM35766	PISTON RING KIT	1	0.010" OVERSIZE
1	AM35767	PISTON RING KIT	1	0.020" OVERSIZE
1	AM35768	PISTON RING KIT	1	0.030" OVERSIZE
2	M49299	LOCK	1	
3	AM35769	PISTON RING KIT	1	STANDARD
3	AM35770	PISTON RING KIT	1	0.010" OVERSIZE
3	AM35771	PISTON RING KIT	1	0.020" OVERSIZE
3	AM35772	PISTON RING KIT	1	0.030" OVERSIZE
4	AM35740	PIN FASTENER	1	STANDARD
4	AM36284	PIN FASTENER	1	0.005" OVERSIZE
5	M49314	LOCK	1	
6	M49360	CAP SCREW	1	
7	AM35747	CONNECTING ROD	1	STANDARD
7	PT5808	CONNECTING ROD	1	FOR CONNECTING ROD WITH .020" UNDERSIZE CRANK PIN BORE. (NO LONGER AVAILABLE THIS APPLICATION)
8	M83160	THRUST WASHER	1	
9	AM106250	CRANKSHAFT	1	(SUB FOR AM100308)



<https://www.ebooklibonline.com>

Hello dear friend!

Thank you very much for reading.

Enter the link into your browser.

The full manual is available for immediate download.

<https://www.ebooklibonline.com>