

MP20972

KEY	PART NO.	PART NAME	QTY	REMARKS
1	M93483	SCREW	2	
2	MIU13121	PLATE	1	SUB FOR M132393 or MIU11930
3	37M7090	SCREW	4	M6 X 16
4	M132387	DEFLECTOR	1	NLA; OREDRMIU13222BAFFLE VALLEY (NO. 2 SIDE)
5	M145181	DEFLECTOR	1	(SUB FOR M132394 OR M134456)
6	MIU11261	PLATE	1	(SUB FOR M140026)
7	M134922	DEFLECTOR	1	BAFFLE-CYL BARREL (NO.2 SIDE)
8	M140088	PLATE	1	NLA (SUB MIU11261)
9	19M7373	CAP SCREW	2	M5 X 20
10	MIU14033	SCREW	5	
11	M132384	SCREW	1	
12	M133099	BOLT KIT	1	
13	M132383	NUT	3	
14	M125026	CLIP	4	
15	37M7090	SCREW	4	M6 X 16
16	AM129636	PANEL KIT	2	NLA; (SUB FOR M137507) (INCLUDES (4) M125026 AND (4) 37M7090)
17	AM127456	HOUSING	1	NLA

**<https://www.ebooklibonline.com>**

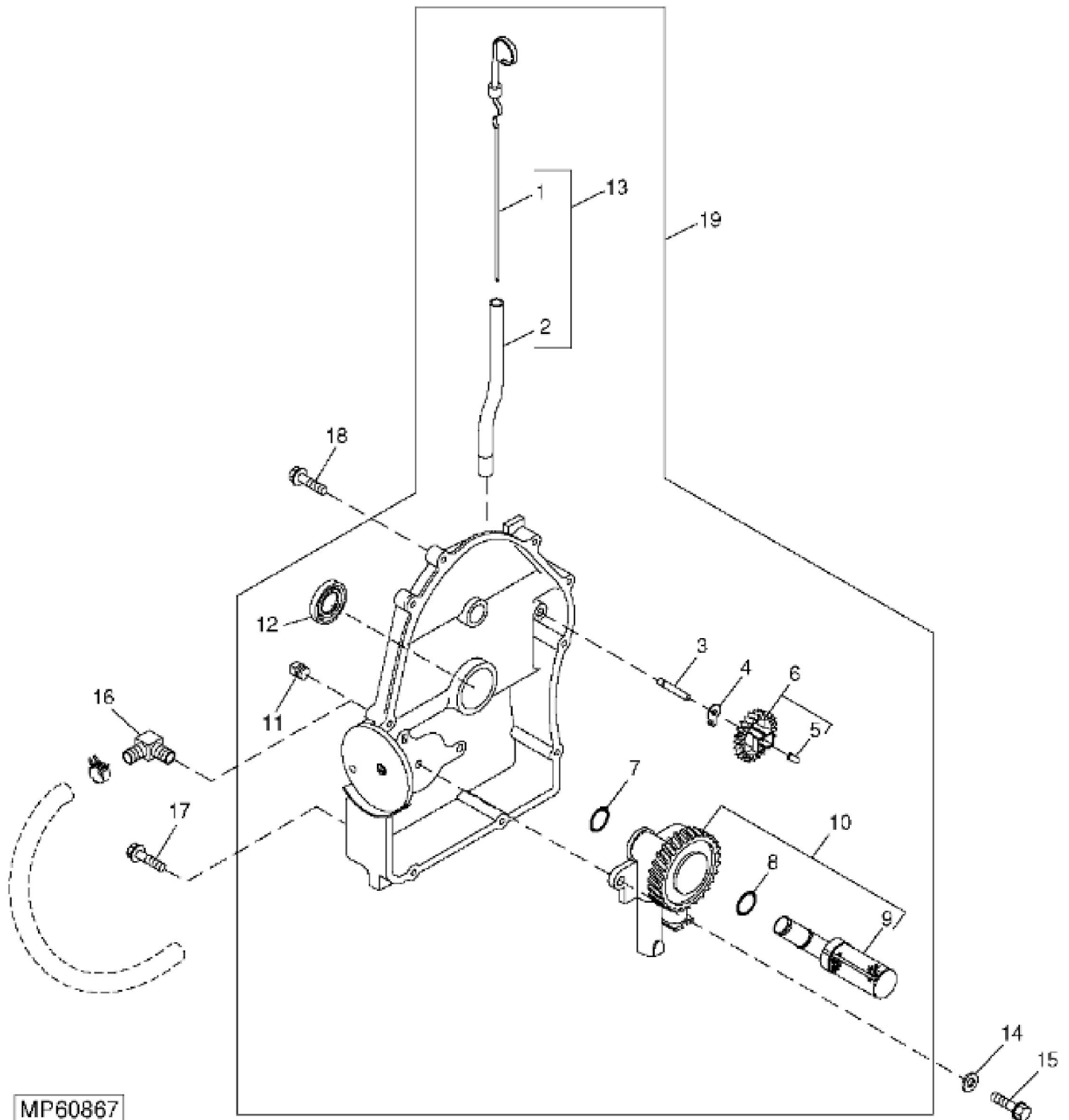
Hello dear friend!

Thank you very much for reading.

Enter the link into your browser.

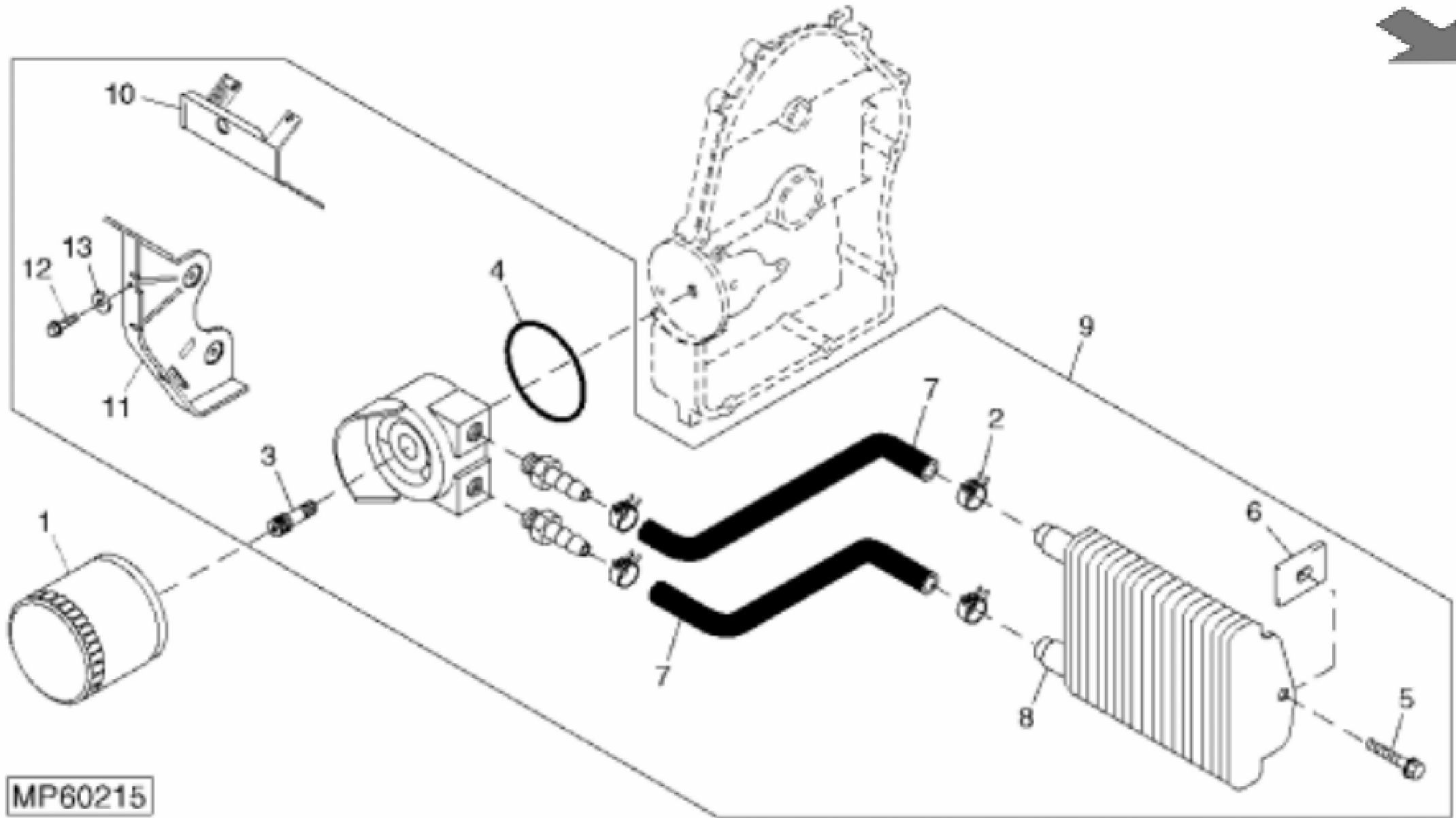
The full manual is available for immediate download.

**<https://www.ebooklibonline.com>**



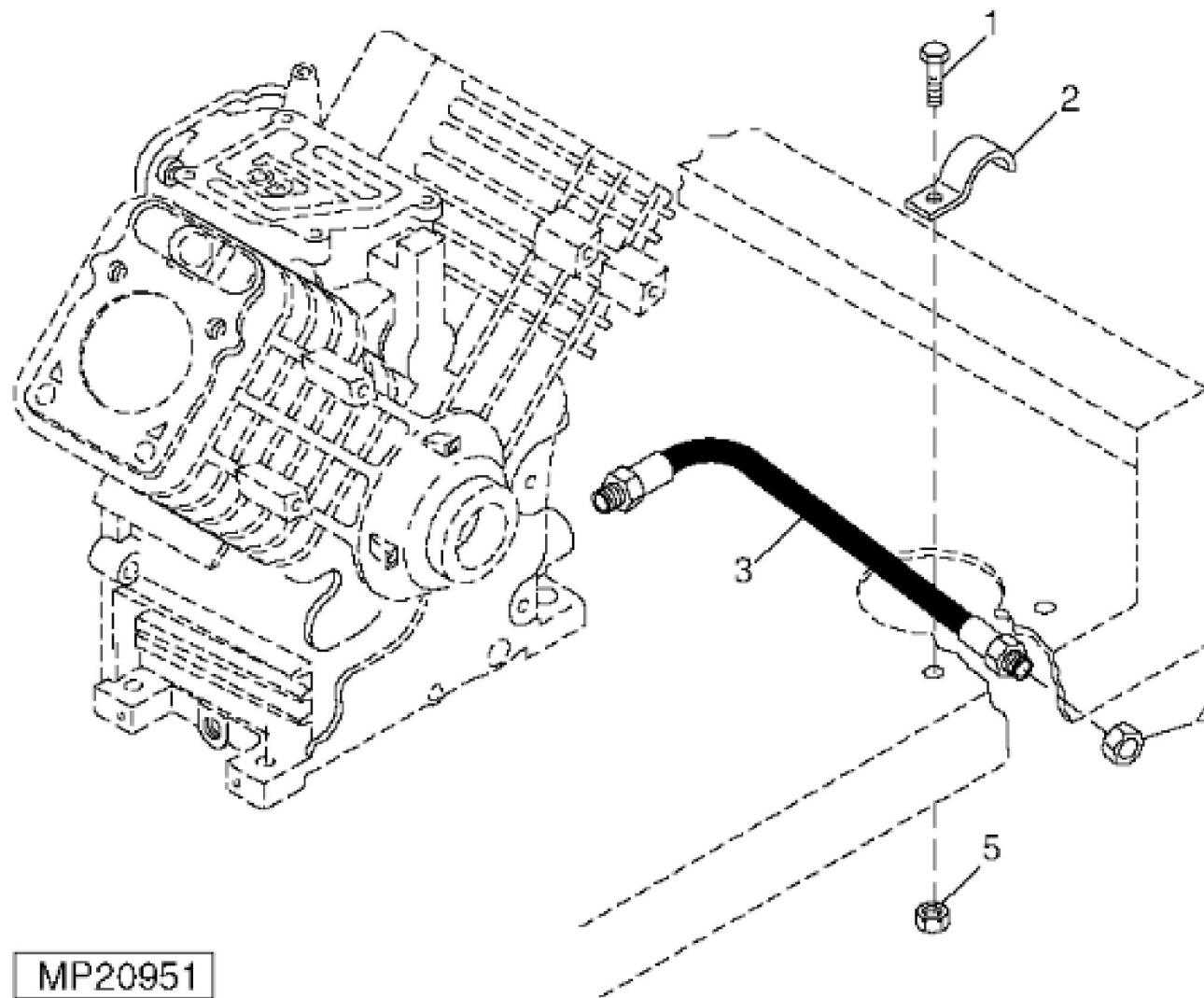
MP60867

KEY	PART NO.	PART NAME	QTY	REMARKS
1	M145200	DIPSTICK	1	(ORDER AM131427)
2	M145201	DIPSTICK TUBE	1	(ORDER AM131427)
3	.....	SHAFT	1	(ORDER AM124980)
4	M150547	RETAINER	1	(SUB FOR ET13880, THIS APPLICATION)
5	.....	PIN	1	(ORDER AM124981)
6	AM124981	GEAR KIT	1	
7	M132346	O-RING	1	
8	M132347	O-RING	1	
9	M132348	OIL PUMP	1	USE WITH MIA10792
9	M149835	TUBE	1	
10	MIA10792	OIL PUMP	1	NLA; ORDER MIA12269; SUB FOR AM124982; INCLUDES M132348
10	MIA12269	OIL PUMP	1	
11	15H558	PIPE PLUG	2	1/8"
12	MIU11541	SEAL	1	(SUB FOR M84340)
13	AM131427	DIPSTICK	1	
14	M93418	WASHER	2	
15	37M7091	SCREW	2	M6 X 25
16	M43285	ELBOW FITTING	1	(SUB FOR M141730)
17	M131239	SCREW	1	ORDER 19M8318
18	M131238	SCREW	9	ORDER 19M8318
18	19M8318	SCREW	10	M8 X 45
19	AM124980	PLATE KIT	1	



MP60215

KEY	PART NO.	PART NAME	QTY	Serial No.	REMARKS
1	AM125424	OIL FILTER	1		
2	MIU13201	CLAMP	4		NLA; ORDER TY22462; (A) (SUB FOR M133060 OR M146556)
2	TY22462	CLAMP	4		
3	M141728	THREADED NIPPLE	1	____-020000	(USED W/ M141727 COOLER)
3	M138269	THREADED NIPPLE	1	020001-____	(USED W/ AM125401 COOLER)
4	M145173	O-RING	1	____-020000	(USED W/ M141727 COOLER) (SUB FOR M141729 OR M143345)
4	M133063	O-RING	1	020001-____	(USED W/ AM125401 COOLER)
5	M133058	CAP SCREW	2		
6	M132383	NUT	2		
7	M133061	HOSE	2		(A) (MAKE FROM TY22502)
8	MIU11509	OIL COOLER	1	____-020000	(SUB FOR M141727) (INCLUDES MIU11508)
8	AM125401	OIL COOLER	1	020001-____	(INCLUDES PARTS MARKED (A))
9	AM131278	KIT	1		OIL COOLER (SUB FOR AM129629)
10	M134922	DEFLECTOR	1		
11	MIU11261	PLATE	1		(SUB FOR M140088)
12	19M7373	CAP SCREW	AR		M5 X 20
13	24M7087	WASHER	AR		5.500 X 10 X 1 mm
..	M133065	LABEL	1		OIL COOLER
..	M133064	LABEL	1		NLA; OIL SENTRY





**Suggest:**

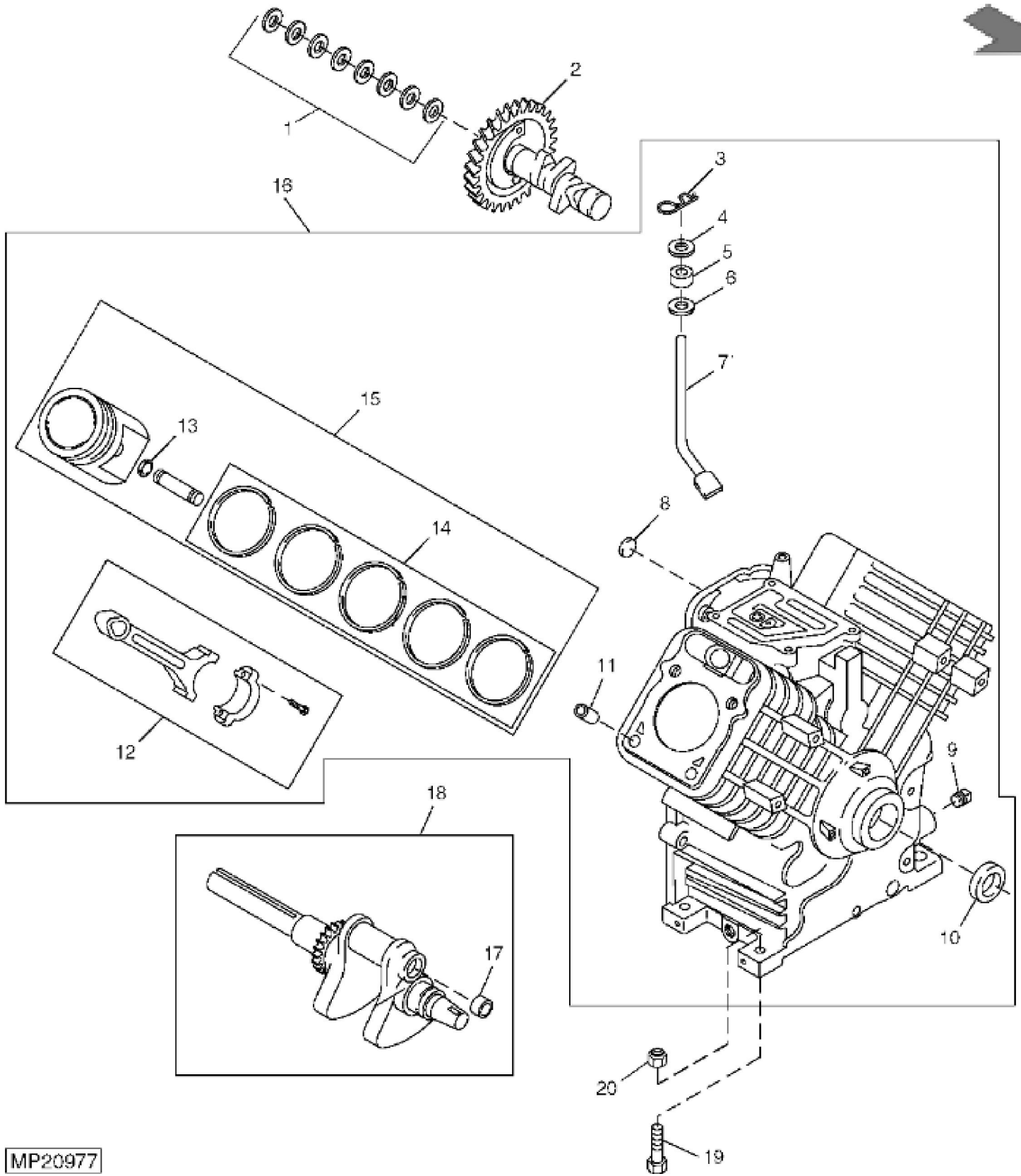
**For more complete manuals. Please go to the home page.**

**<https://www.ebooklibonline.com>**

**If the above button click is invalid. Please download this document first, and then click the above link to download the complete manual.**

**Thank you so much for reading**

KEY	PART NO.	PART NAME	QTY	REMARKS	
1	19H1948	CAP SCREW	1	1/4" X 3/4"	
2	TCU10056	CLAMP	1	NLA	
3	TCU10055	HOSE	1	NLA	
4	TCU10057	FITTING	1	NLA	
5	K40001	LOCK NUT	1	6.350 mm (1/4")	



MP20977

**<https://www.ebooklibonline.com>**

Hello dear friend!

Thank you very much for reading.

Enter the link into your browser.

The full manual is available for immediate download.

**<https://www.ebooklibonline.com>**