

MP23295

## CYLINDER HEAD AND CRANKCASE

KEY	PART NO.	PART NAME	QTY	REMARKS
1	19M7865	SCREW	4	M8 X 16, BREATHER COVER
2	M96735	COVER	1	BREATHER
3	M113705	GASKET	1	
4	M96739	SEAL	1	CRANKSHAFT (CRANKCASE)
5	M127431	ADAPTER FITTING	1	
6	AM128348	CRANKCASE	1	
7	M70227	PIN	6	
8	M113706	GASKET	1	
9	MIU11988	BOLT	10	(SUB FOR M118772)
10	M115442	GASKET	2	ROCKER COVER
11	M76073	BUSHING	8	
12	19M7863	SCREW	8	M6 X 25
13	M96733	VALVE COVER	2	
14	M140423	CYLINDER HEAD	1	LH
15	M96727	ENGINE CYLINDER HEAD GASKET	2	
16	M131852	STUD	4	
17	PT13921	SEAL	1	CRANKSHAFT (CRANKCASE COVER)
18	19M8318	BOLT	6	
19	M139369	COVER	1	
20	M118832	TUBE	1	
21	M88987	SEAL	1	GOVERNOR SHAFT
22	M77734	CLAMP	2	
23	M140422	CYLINDER HEAD	1	RH
24	AM108956	VALVE KIT	1	VALVE
25	M95848	SCREW	2	
26	.....	PLATE	1	
27	.....	VALVE	1	
28	19M7798	BOLT	1	(LEFT REAR ENGINE MOUNT)
28	19M7866	BOLT	3	(ENGINE MOUNTING)
29	14M7298	FLANGE NUT	4	M8, (ENGINE MOUNTING)
..	AM130772	SHORT BLOCK ASSEMBLY	1	
..	AM133190	GASOLINE ENGINE	1	(MARKED FD501V-DS04) (SUB AM130772)
..	AM135051	GASOLINE ENGINE	1	(MARKED FD501V-ES04) (SUB AM130772)

**<https://www.ebooklibonline.com>**

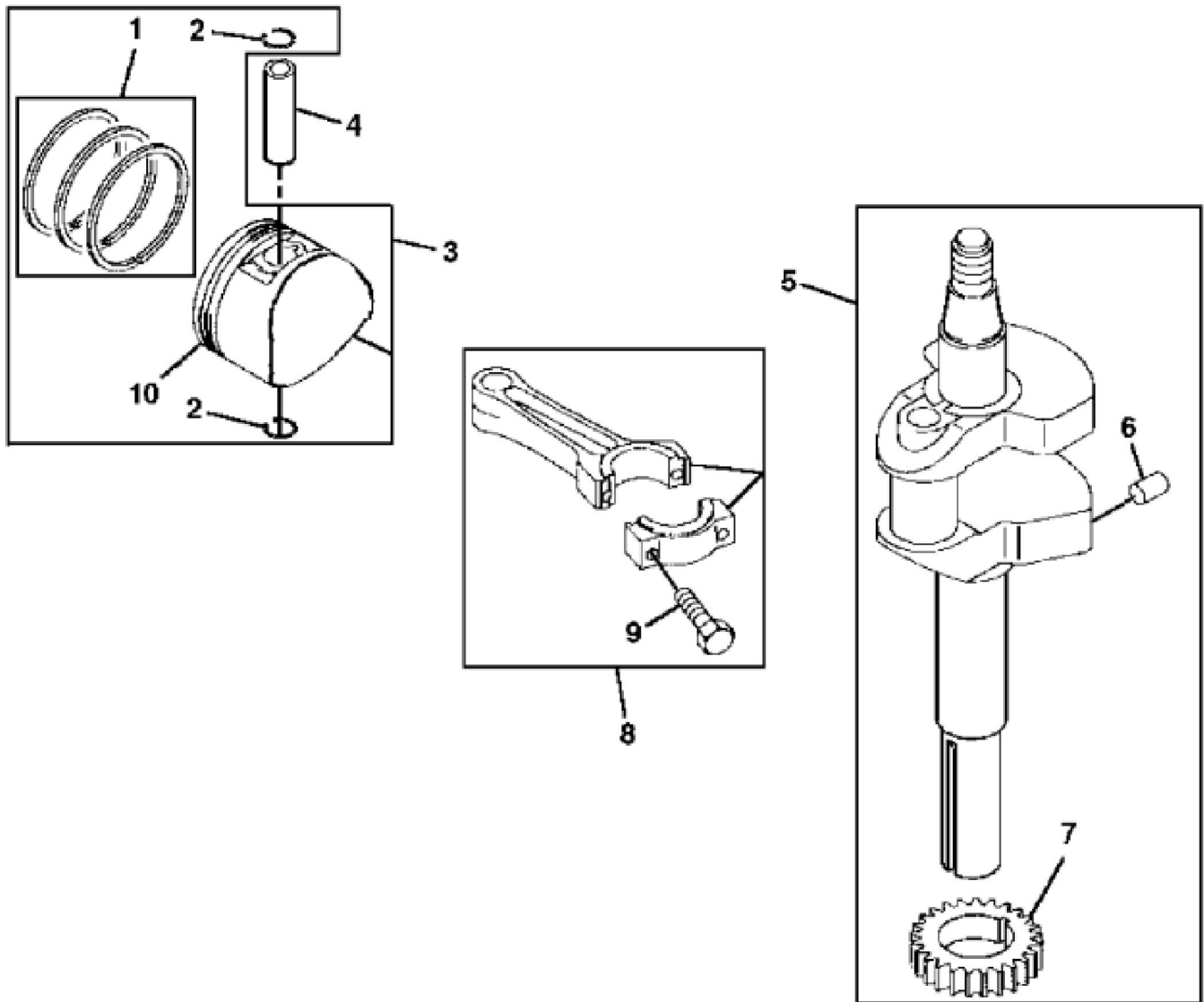
Hello dear friend!

Thank you very much for reading.

Enter the link into your browser.

The full manual is available for immediate download.

**<https://www.ebooklibonline.com>**



PISTON AND CRANKSHAFT

KEY	PART NO.	PART NAME	QTY	REMARKS
1	M144034	PISTON RING KIT	2	STD
1	M144035	PISTON RING KIT	1	.50 mm, OS
2	M68071	RETAINER	4	
3	AM130773	PISTON REPLACEMENT KIT	2	ORDER M144032, M144034 AND (2) M68071; STD
3	AM130774	PISTON REPLACEMENT KIT	1	.50 mm, ORDER M144033, M144035 AND (2) M68071; OS
4	M96742	PISTON PIN	2	
5	AM133192	CRANKSHAFT	1	
6	M76122	DOWEL PIN	1	
7	M149359	SPUR GEAR	1	
8	AM108963	CONNECTING ROD	2	
9	M149878	BOLT	4	
10	M144032	PISTON	2	ORDER MIU14202; STD
10	MIU14202	PISTON	2	STD
11	M144033	PISTON	1	.50 mm, ORDER MIU14203; OS
11	MIU14203	PISTON	1	.50 mm, OS





**Suggest:**

**For more complete manuals. Please go to the home page.**

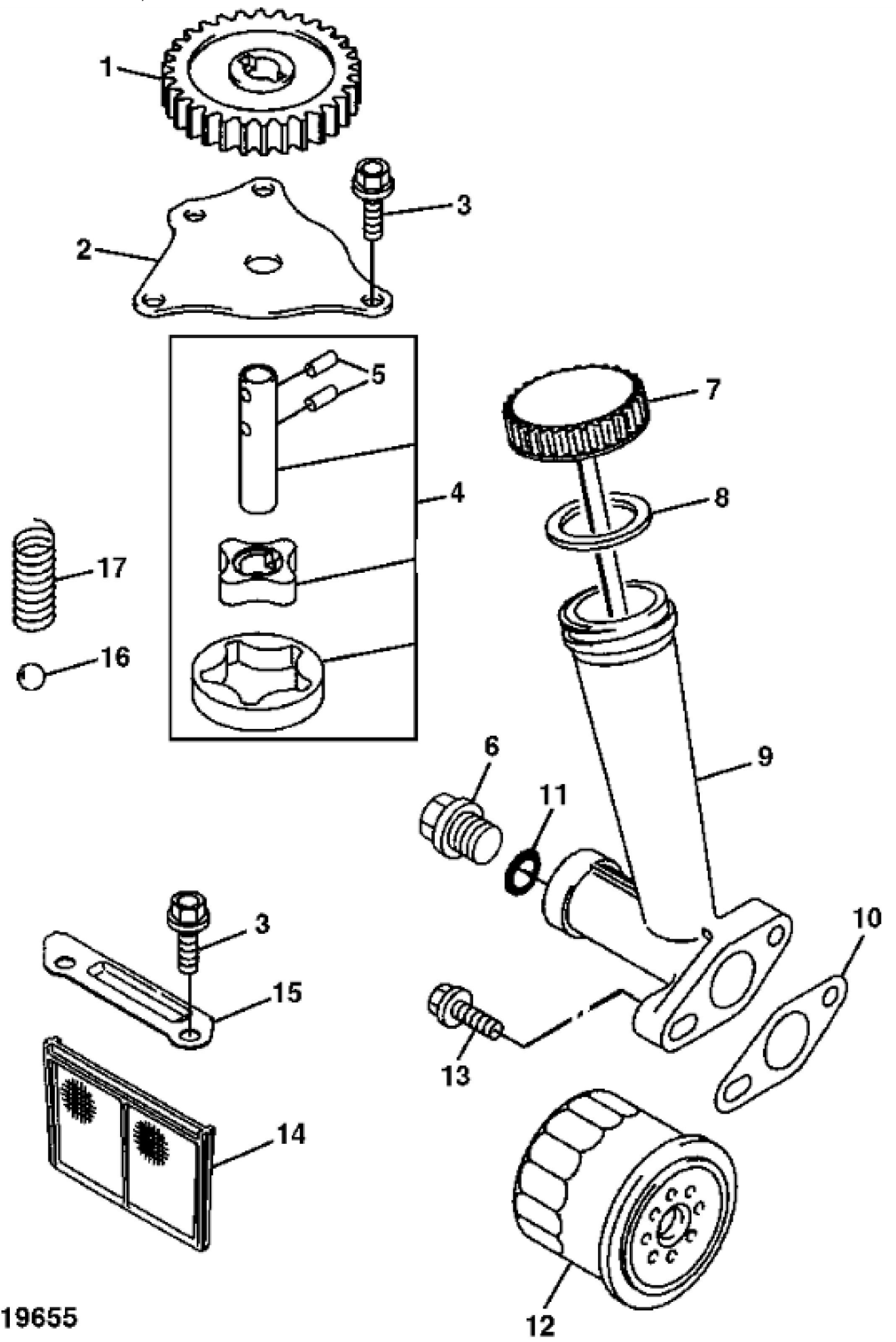
**<https://www.ebooklibonline.com>**

**If the above button click is invalid. Please download this document first, and then click the above link to download the complete manual.**

**Thank you so much for reading**

CAMSHAFT AND VALVES

KEY	PART NO.	PART NAME	QTY	REMARKS
1	.....	ROCKER ARM SHAFT	2	(NLA)
2	M76092	NUT	4	
3	M76091	SCREW	4	
4	M140427	RETAINER	4	
5	M140428	RETAINER	4	
6	MIU14200	SPRING	4	SUB FOR M140426
7	M96757	RETAINER	4	
8	M96760	SEAL	4	
9	M140424	INTAKE VALVE	2	
10	M140425	EXHAUST VALVE	2	
11	AM133191	CAMSHAFT	1	
12	M96755	TAPPET	4	
13	M96756	PUSH ROD	4	
14	M76093	CLIP	2	
15	M76086	ROCKER ARM	2	



MP19655

**<https://www.ebooklibonline.com>**

Hello dear friend!

Thank you very much for reading.

Enter the link into your browser.

The full manual is available for immediate download.

**<https://www.ebooklibonline.com>**