

MP30542

CYLINDER HEAD AND CRANKCASE

KEY	PART NO.	PART NAME	QTY	REMARKS
1	19M7775	SCREW	4	M6 X 16
2	M144669	COVER	1	NLA; ORDER MIU13921; BREATHER
2	MIU13921	COVER	1	
3	M144670	GASKET	1	NLA; ORDER MIU13922; BREATHER
3	MIU13922	GASKET	1	
4	M138386	FILTER ELEMENT	1	NLA
5	M143308	PLATE	1	NLA
6	M149281	SEAL	1	
7	19M8477	CAP SCREW	4	M6 X 40
8	MIU11950	COVER	2	VALVE, (SUB FOR M144299)
9	M138375	GASKET	2	VALVE COVER
10	MIU11326	BOLT	17	(SUB FOR M138393)
11	M138389	SEAL	4	(SUB FOR M149280)
12	M138394	BOLT	2	NLA; ORDER MIU11322
12	MIU11322	BOLT	2	
13	M151770	CYLINDER HEAD	1	NO. 1, (SUB FOR M144207)
14	M138395	STUD	4	NLA; ORDER MIU11736
14	MIU11736	BOLT	4	NLA; ORDER MIU12726
14	MIU12726	STUD	4	
15	M138388	PIN	6	
16	M153443	ENGINE CYLINDER HEAD GASKET	2	(SUB FOR M149278)
17	M151771	CYLINDER HEAD	1	NO. 2, (SUB FOR M144209)
18	M149282	SEAL	1	
19	M138387	SNAP RING	2	
20	M150448	COVER	1	CRANKCASE
21	M138392	SEAL	1	NLA; ORDER M151774
21	M151774	SEAL	1	
22	M138382	GASKET	1	
23	M147270	PLUG	1	NLA; ORDER MIU14001
23	MIU14001	PLUG	1	
24	M149279	CRANKCASE	1	
25	14M7166	LOCK NUT	4	M8, (ENGINE MOUNTING)
26	19M7897	SCREW	4	M8 X 35, (ENGINE MOUNTING)
27	HOSE	1	OIL DRAIN, (MAKE FROM TY22562)

<https://www.ebooklibonline.com>

Hello dear friend!

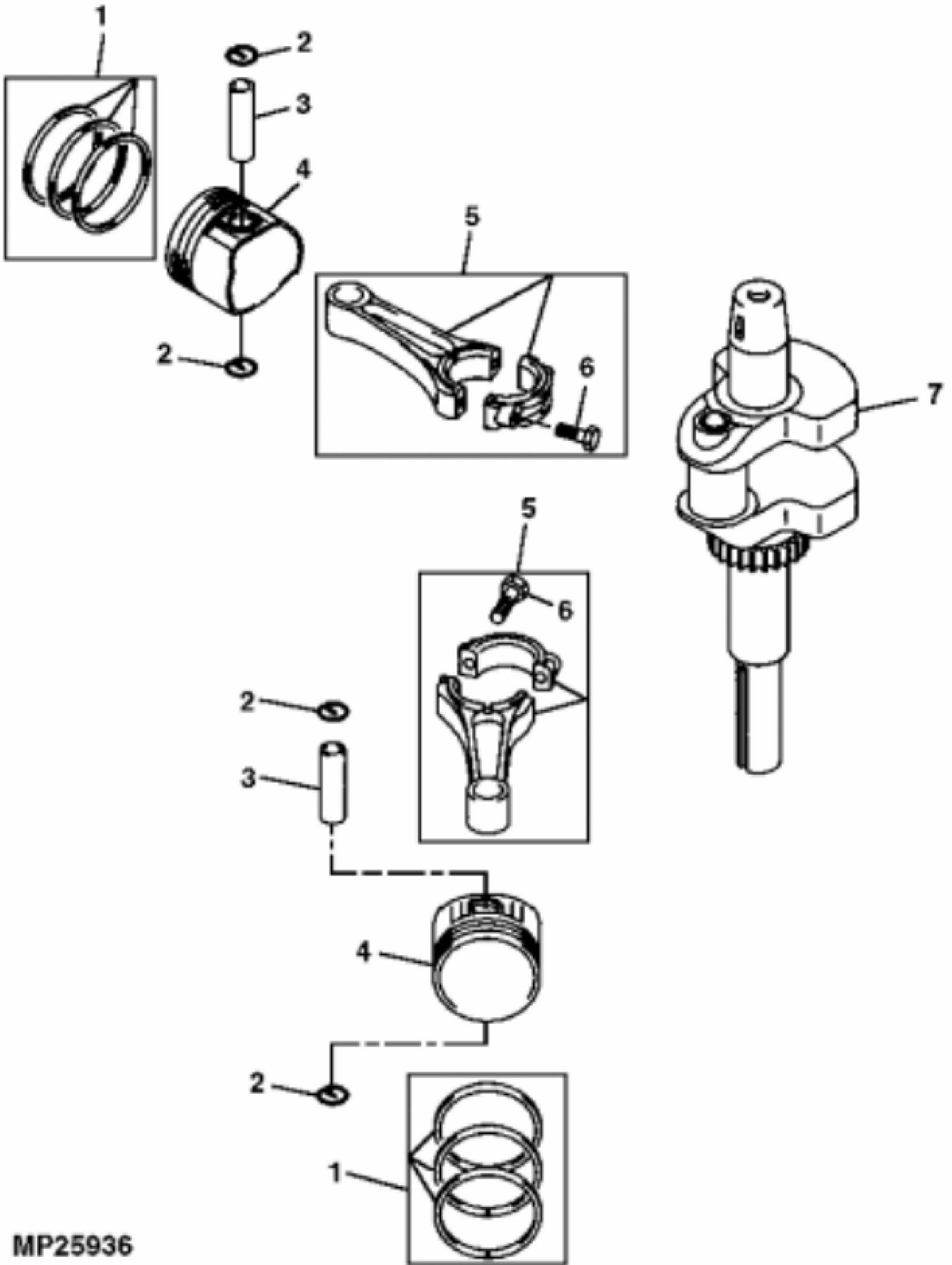
Thank you very much for reading.

Enter the link into your browser.

The full manual is available for immediate download.

<https://www.ebooklibonline.com>

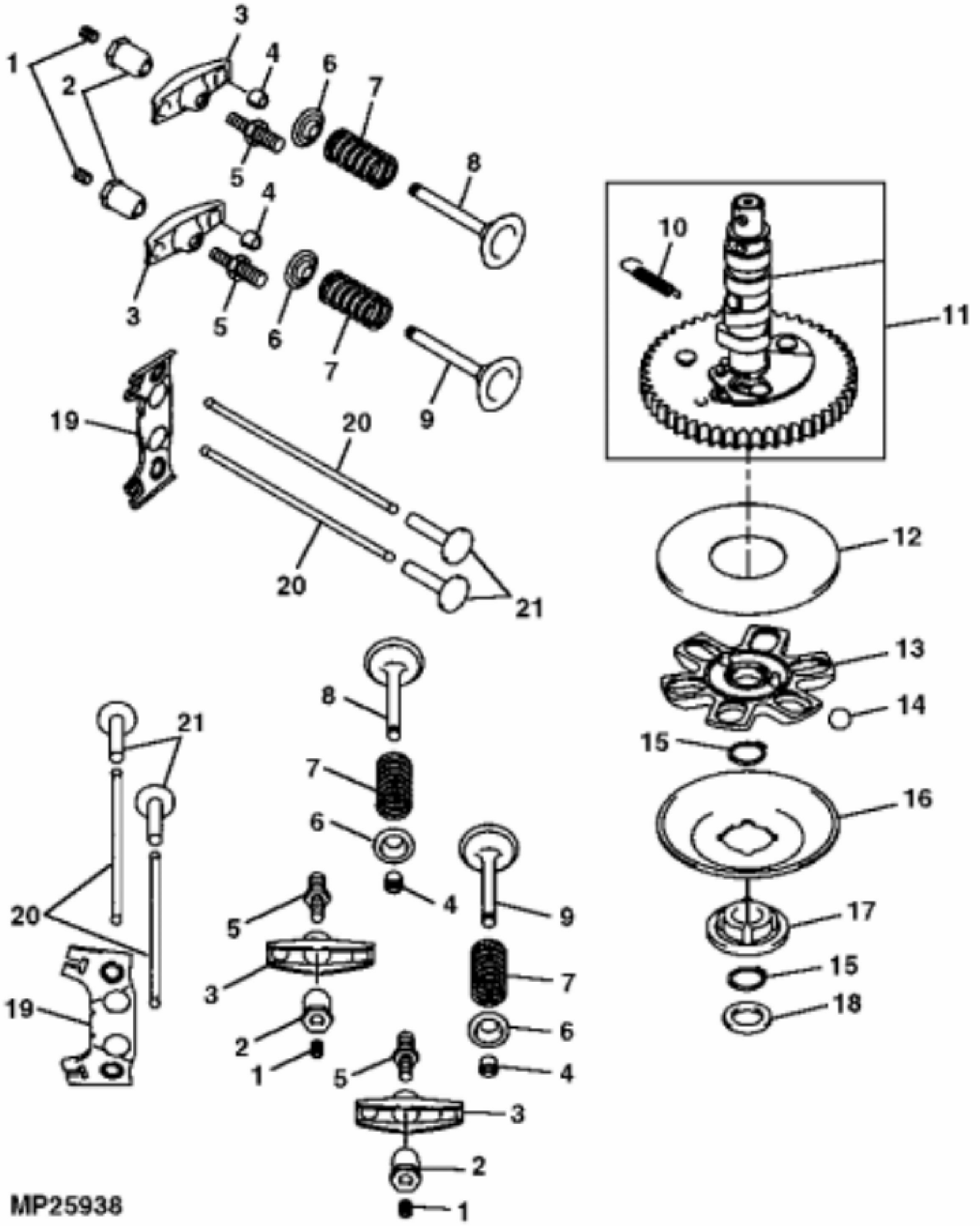
KEY	PART NO.	PART NAME	QTY	REMARKS	
..	AM133230	SHORT BLOCK ASSEMBLY	1		
..	AM132822	GASOLINE ENGINE	1	(MARKED FH580V-AS04) (ORDER AM133230)	
..	AM135270	GASOLINE ENGINE	1	(MARKED FH580V-BS04) (MEETS EU EMISSION REGULATION) (ORDER AM133230)	



MP25936

PISTON AND CRANKSHAFT

KEY	PART NO.	PART NAME	QTY	REMARKS	
1	AM133164	PISTON RING	2		
2	M138398	SNAP RING	4	(SUB FOR M140233)	
3	M138397	PISTON PIN	2		
4	M149283	PISTON	2		
5	AM133166	CONNECTING ROD	2		
6	M146763	BOLT	2		
7	MIA11163	CRANKSHAFT	1	(SUB FOR AM133165)	



MP25938



Suggest:

For more complete manuals. Please go to the home page.

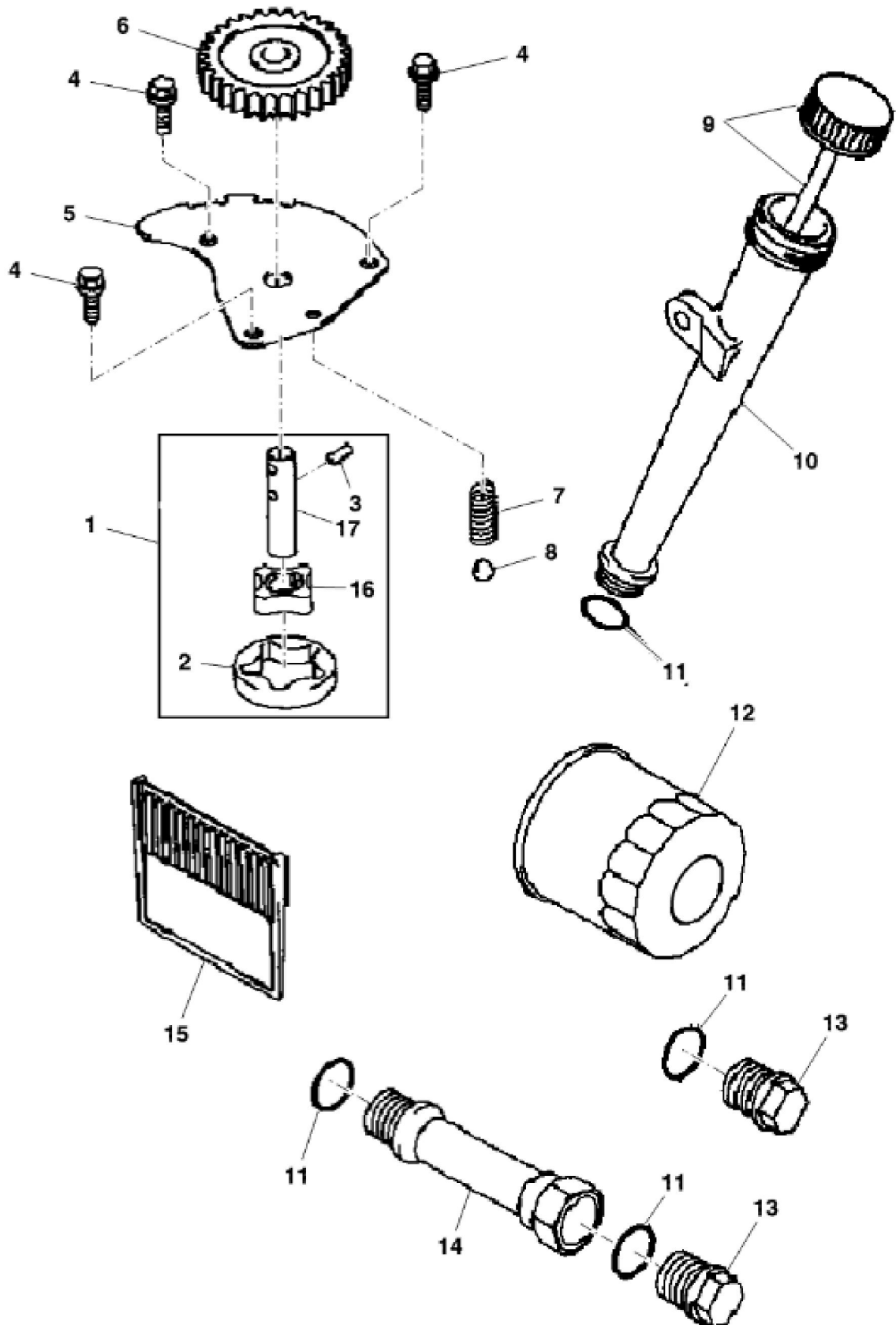
<https://www.ebooklibonline.com>

If the above button click is invalid. Please download this document first, and then click the above link to download the complete manual.

Thank you so much for reading

CAMSHAFT AND VALVES

KEY	PART NO.	PART NAME	QTY	REMARKS	
1	M138410	SCREW	4		
2	M92891	NUT	4		
3	M138402	ROCKER ARM	4		
4	M118845	RETAINER	8		
5	M146881	BOLT	4		
6	M138401	RETAINER	4		
7	M138409	COMPRESSION SPRING	4		
8	M138399	INTAKE VALVE	2		
9	M138400	EXHAUST VALVE	2		
10	M138413	EXTENSION SPRING	1		
11	AM133177	CAMSHAFT	1		
12	M140240	PLATE	1		
13	M140238	GUIDE	1		
14	MIU10971	BALL BEARING	6	(SUB FOR M138412)	
15	M138411	SNAP RING	2	NLA; ORDER MIU14000	
15	MIU14000	SNAP RING	2		
16	M146880	PLATE	1		
17	MIU10708	SLEEVE	1	NLA; ORDER MIU13044; SUB FOR M149875	
17	MIU13044	SLEEVE	1		
18	M138415	WASHER	1		
19	M138404	GUIDE	2		
20	M76088	PUSH ROD	4		
21	M138403	TAPPET	4		



<https://www.ebooklibonline.com>

Hello dear friend!

Thank you very much for reading.

Enter the link into your browser.

The full manual is available for immediate download.

<https://www.ebooklibonline.com>