

MP23215

John Deere > Turf And Utility >TRACTOR, LAWN AND GARDEN >LX255 - TRACTOR, LAWN AND GARDEN >LX255 Lawn Tractor >20 ENGINE AM131688, AM124681 >ST579998 - CYLINDER HEAD AND
ROCKER ARM

KEY	PART NO.	PART NAME	QTY	REMARKS
1	37M7131	SCREW	5	M6 X 20
2	37M7091	SCREW	1	M6 X 25
3	M124985	STRAP	1	LIFT
4	AM132623	VALVE COVER	1	(SUB FOR M92209)
5	TY22462	CLAMP	2	HOSE, (SUB FOR AR48236)
6	M92212	BREATHER	1	VALVE COVER VENT
7	MIU13278	VALVE LIFTER	2	SUB FOR M137271 or MIU11034 or MIU12989
8	M146623	PUSH ROD	2	(SUB FOR M149342)
9	M124986	ENGINE CYLINDER HEAD GASKET	1	
10	15H558	PIPE PLUG	1	1/8", HEX
11	AM119712	INTAKE VALVE	1	ORDER AM107043 , M146624 , M92200 AND M92203
11	M92213	INTAKE VALVE	1	.25 MM (.010") OS, (C)
12	EXHAUST VALVE	1	(STD) (ORDER AM119711)
12	M92214	EXHAUST VALVE	1	.25 MM (.010") OS, (C)
13	CYLINDER HEAD	1	(ENGINE MARKED CV15S-41571), (ORDER AM125352)
13	AM132197	CYLINDER HEAD	1	(ENGINE MARKED CV460S-26511), (SUB FOR AM131950 OR AM131949)
14	M120417	WASHER	1	
15	M120286	SPACER	1	(HEAD BOLT, EXHAUST PORT)
16	M149264	BOLT	5	CYLINDER HEAD, (SUB FOR M92367)
17	M146624	SPRING	1	(C) VALVE
18	M92203	CAP	2	(C)
19	AM107043	RETAINER	1	
20	AM119711	EXHAUST VALVE	1	KIT
21	M146264	SPRING	1	(C) VALVE
22	AM119712	INTAKE VALVE	1	KIT
23	19M8290	SCREW	2	M6 X 35
24	M131132	PIVOT	2	
25	M131133	ROCKER ARM	2	
26	AM117014	ROCKER ARM	1	NLA(ALSO ORDER (2) 19M8290)
27	AM125352	CYLINDER HEAD	1	(ENGINE MARKED CV15S-41571)
27	AM132197	CYLINDER HEAD	1	(ENGINE MARKED CV460S-26511) (SUB FOR AM131949)
28	M93483	SCREW	1	
29	M153533	RETAINER	1	BREATHER, (ORDER AM117016)

<https://www.ebooklibonline.com>

Hello dear friend!

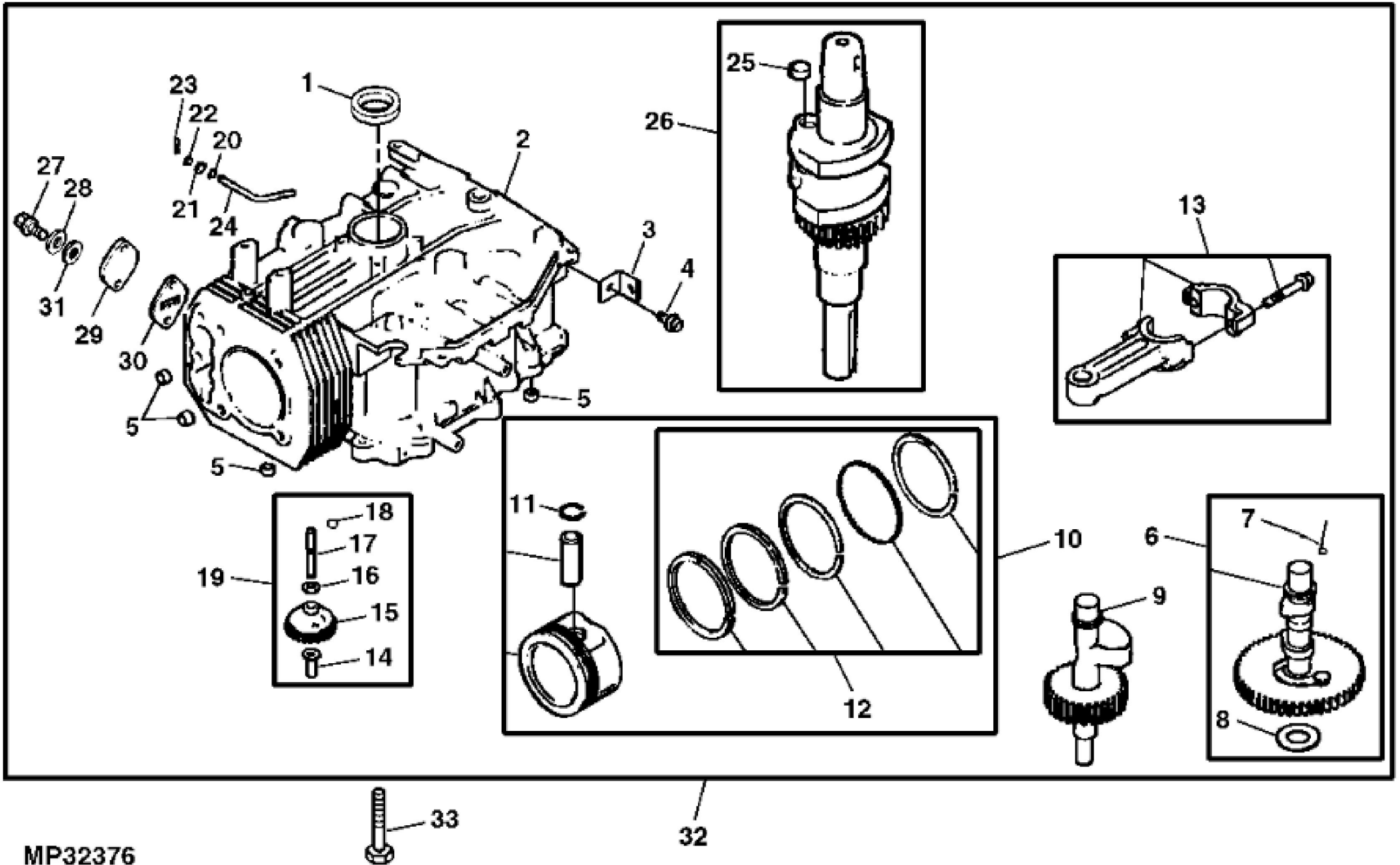
Thank you very much for reading.

Enter the link into your browser.

The full manual is available for immediate download.

<https://www.ebooklibonline.com>

KEY	PART NO.	PART NAME	QTY	REMARKS	
30	M92210	BEAM	1	BREATHER, (ORDER AM117016)	
31	AM117016	VALVE	1	REED;ORDER M153533,M92210 And M93483	
32	M43123	RETAINER	1		
33	M124983	WIRING LEAD	1	6"-18 GAUGE, BLACK	
34	AM117034	KIT	1	OVERSIZE VALVE (SUB COMPONENTS) (INCLUDES PARTS MARKED (C));Not Illustrated	



MP32376

John Deere > Turf And Utility >TRACTOR, LAWN AND GARDEN >LX255 - TRACTOR, LAWN AND GARDEN >LX255 Lawn Tractor >20 ENGINE AM131688, AM124681 >ST579999 - CRANKSHAFT, PISTON AND SHORT BLOCK

KEY	PART NO.	PART NAME	QTY	REMARKS
1	M92074	SEAL	1	
2	CYLINDER BLOCK	1	(ENGINE MARKED CV15S-41571) (ORDER AM125360)
2	CYLINDER BLOCK	1	(ENGINE MARKED CV460S-26511) (ORDER AM132146)
3	M92069	STRAP	1	
4	19M7867	SCREW	1	M8 X 25
5	MIU11251	DOWEL PIN	4	LOCATING, (SUB FOR M132339 OR M144516)
6	AM123079	KIT	1	CAMSHAFT (METAL GEAR)
7	MIU10690	SPRING	1	ACTUATING, (SUB FOR M133017)
8	M93955	SOLID SHIM	AR	.73 MM (.029")
8	M97015	SOLID SHIM	AR	.75 MM (.030")
8	M118585	SHIM	AR	.81 MM (.032")
8	M96817	SOLID SHIM	AR	.86 MM (.034")
8	M96818	SOLID SHIM	AR	.91 MM (.036")
8	M96819	SOLID SHIM	AR	.96 MM (.038")
8	M118584	SHIM	AR	1.02 MM (.040")
9	M126874	BALANCER SHAFT	1	(ENGINE MARKED CV15S-41571)
9	M146619	SHAFT	1	(ENGINE MARKED CV460S-26511)
10	AM122461	PISTON REPLACEMENT KIT	1	STD (ENGINE MARKED CV15S-41571)
10	AM122463	PISTON REPLACEMENT KIT	1	.50 MM (.020") OS, (ENGINE MARKED CV15S-41571)
10	AM107033	PISTON REPLACEMENT KIT	1	STD (ENGINE MARKED CV460S-26511)
10	AM107035	PISTON REPLACEMENT KIT	1	.50 MM (.020") OS, (ENGINE MARKED CV460S-26511)
11	M92077	RETAINER	2	PISTON PIN
12	AM122468	PISTON RING KIT	1	STD (ENGINE MARKED CV15S-41571)
12	AM122470	PISTON RING KIT	1	.50 MM (.020") OS, (ENGINE MARKED CV15S-41571)
12	AM107036	PISTON RING KIT	1	STD (ENGINE MARKED CV460S-26511)
12	AM107038	PISTON RING KIT	1	.50 MM (.020") OS, (ENGINE MARKED CV460S-26511)
13	M92075	CONNECTING ROD	1	STD (ENGINE MARKED CV15S-41571)
13	M92076	CONNECTING ROD	1	.25 MM (.010") US, (ENGINE MARKED CV15S-41571)
13	M146620	CONNECTING ROD	1	STD (ENGINE MARKED CV460S-26511)
13	M146621	CONNECTING ROD	1	.25 MM (.010") US, (ENGINE MARKED CV460S-26511)
14	M92083	PIN	1	
15	M92082	GEAR	1	
16	M93418	WASHER	1	
17	M92081	SHAFT	1	



Suggest:

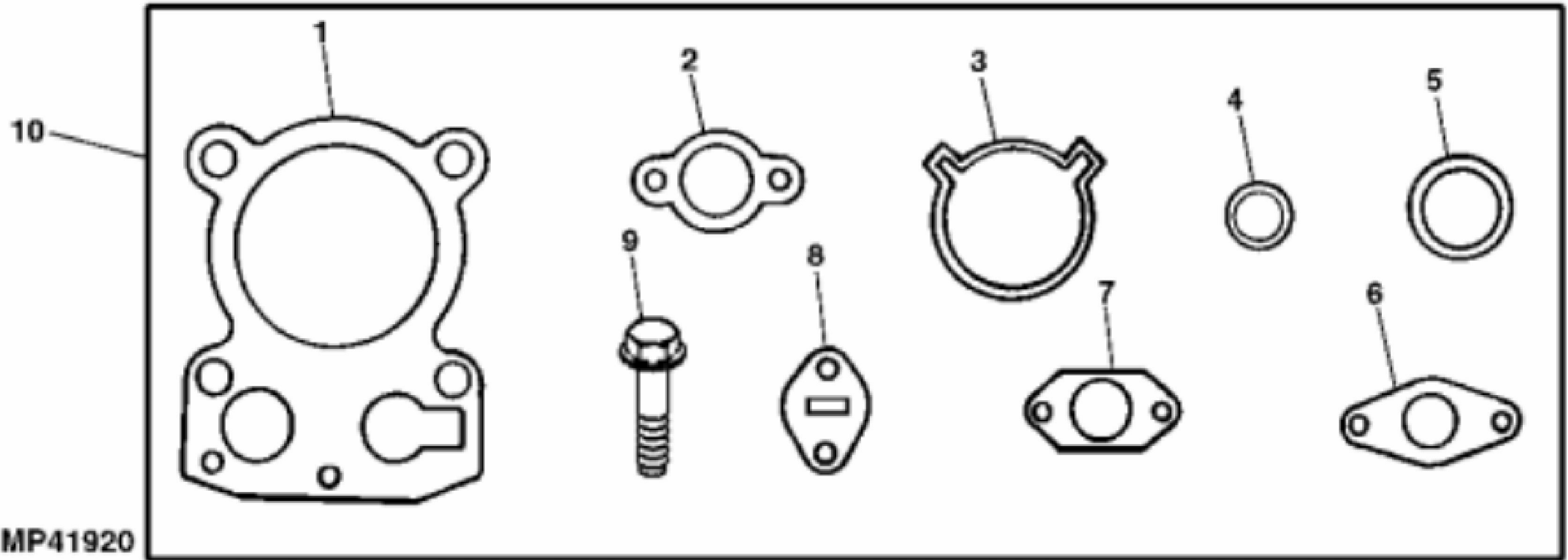
For more complete manuals. Please go to the home page.

<https://www.ebooklibonline.com>

If the above button click is invalid. Please download this document first, and then click the above link to download the complete manual.

Thank you so much for reading

KEY	PART NO.	PART NAME	QTY	REMARKS
18	M76215	PLUG	1	
19	AM117019	GEAR KIT	1	NLA
20	M96520	WASHER	1	
21	M92079	SEAL	1	
22	M93419	WASHER	1	(SUB FOR M146622)
23	M126396	QUICK LOCK PIN	1	
24	AM123070	SHAFT	1	GOVERNOR (INCLUDES M126396)
25	PLUG	1	(ENGINE MARKED CV15S-41571)
26	AM121531	CRANKSHAFT	1	(ENGINE MARKED CV15S-41571) (USE WITH SHORT BLOCK AM125360) (ALSO ORDER 19M7944)
26	AM128237	CRANKSHAFT	1	(ENGINE MARKED CV15S-41571) (USE WITH ENGINE AM124681)
26	AM131947	CRANKSHAFT	1	(ENGINE MARKED CV460S-26511)
27	37M7090	SCREW	2	M6 X 16
28	12H302	LOCK WASHER	2	1/4"
29	M42101	COVER	1	
30	M126886	GASKET	1	FUEL PUMP
31	24H1287	WASHER	2	9/32" X 5/8" X 0.065"
32	AM125360	SHORT BLOCK ASSEMBLY	1	(ENGINE MARKED CV15S-41571)
32	AM132146	SHORT BLOCK ASSEMBLY	1	(ENGINE MARKED CV460S-26511)
33	19M7866	SCREW	4	M8 X 20, (ENGINE MOUNTING)
..	AM124681	GASOLINE ENGINE	1	(CV15S-41571) (SUB AM125360)
..	AM131688	GASOLINE ENGINE	1	(CV460S-26511) (SUB AM132146)



<https://www.ebooklibonline.com>

Hello dear friend!

Thank you very much for reading.

Enter the link into your browser.

The full manual is available for immediate download.

<https://www.ebooklibonline.com>