

MP27001

John Deere > Turf And Utility >TRACTOR, LAWN AND GARDEN >LTR180 - TRACTOR, LAWN AND GARDEN >LTR180 Rear Discharge Lawn Tractor >20 ENGINE AM135269 >ST594040 - CYLINDER HEAD AND CRANKCASE

KEY	PART NO.	PART NAME	QTY	Serial No.	REMARKS
1	19M7775	SCREW	4		M6 X 16
2	M144669	COVER	1		NLA; ORDER MIU13921; BREATHER
2	MIU13921	COVER	1		
3	M144670	GASKET	1		NLA; ORDER MIU13922; BREATHER
3	MIU13922	GASKET	1		
4	M138386	FILTER ELEMENT	1		NLA
5	M143308	PLATE	1		NLA
6	M149281	SEAL	1		CRANKSHAFT UPPER (FLYWHEEL) (SUB FOR M138390)
7	19M8477	CAP SCREW	4		M6 X 40
8	MIU11950	CASE	2		ROCKER, (SUB MIU12700) (SUB FOR M144299)
9	M138375	GASKET	2		
10	MIU11326	BOLT	17		(SUB FOR M138393)
11	M138389	SEAL	4		
12	M138394	BOLT	2		NLA; ORDER MIU11322
12	MIU11322	BOLT	2		
13	M151770	CYLINDER HEAD	1		NO. 1, (SUB FOR M144207)
14	M138395	STUD	4		NLA; ORDER MIU11736
14	MIU11736	BOLT	4		NLA; ORDER MIU12726
14	MIU12726	STUD	4		
15	M138388	PIN	6		
16	MIU10797	ENGINE CYLINDER HEAD GASKET	2		(SUB FOR M138370)
17	M151771	CYLINDER HEAD	1		NO. 2, (SUB FOR M144209)
18	M149282	SEAL	1		CRANKSHAFT LOWER (PTO) (SUB FOR M138391)
19	M138387	SNAP RING	2		
20	M150448	COVER	1		CRANKCASE, (SUB FOR M144507)
21	M138392	SEAL	1		NLA; ORDER M151774
21	M151774	SEAL	1		
22	M138382	GASKET	1		
23	M127431	ADAPTER FITTING	1		
24	AM133392	CRANKCASE	1		(SUB FOR AM131440)
25	14M7166	LOCK NUT	4		M8, (ENGINE MOUNTING)
26	19M7897	SCREW	4		M8 X 35, (ENGINE MOUNTING)
27	HOSE	1		OIL DRAIN, (MAKE FROM TY22562)
..	AM131830	GASOLINE ENGINE	1	_____-500000	(MARKED FH500V-AS32) (ORDER AM131438)

<https://www.ebooklibonline.com>

Hello dear friend!

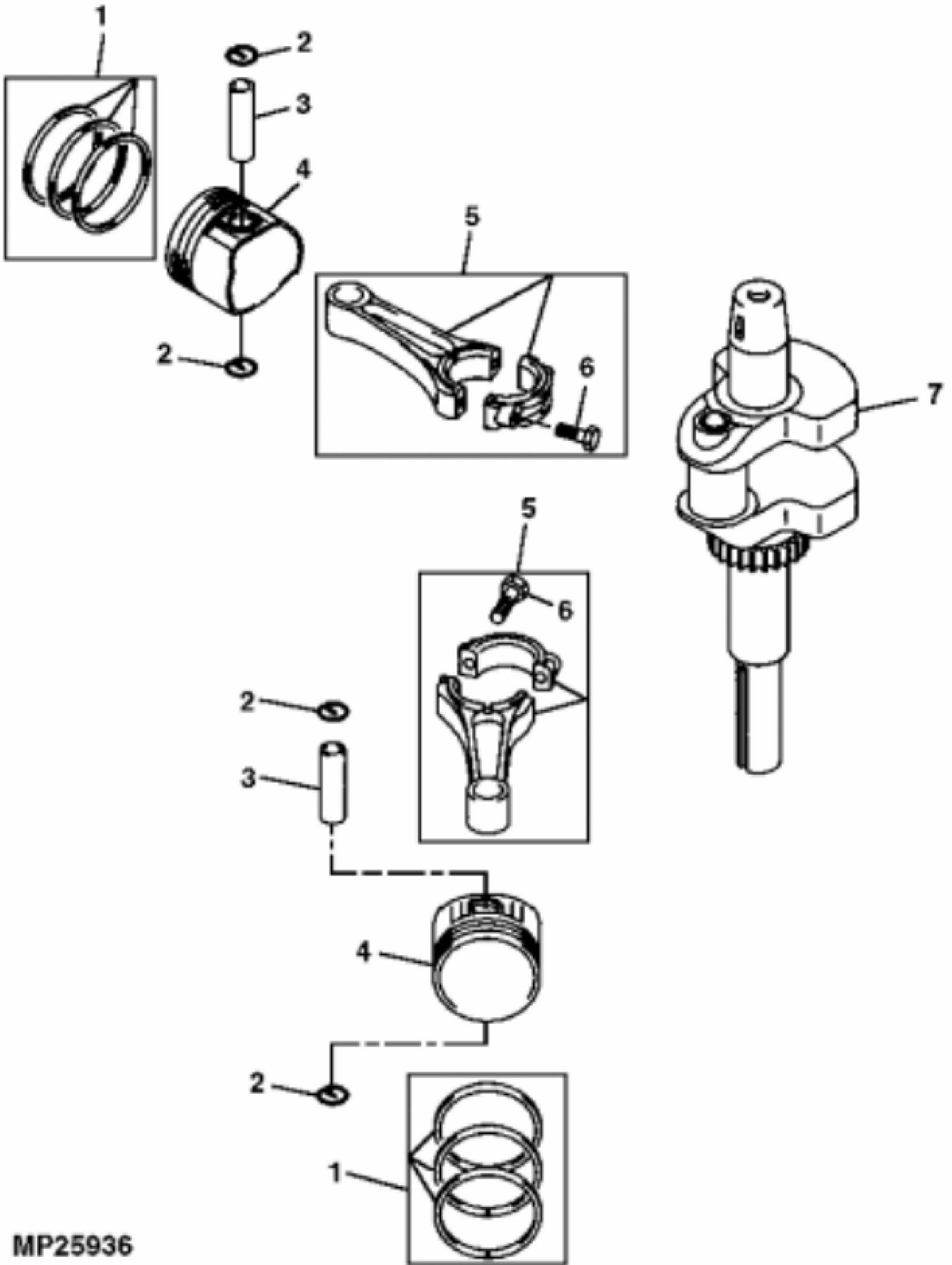
Thank you very much for reading.

Enter the link into your browser.

The full manual is available for immediate download.

<https://www.ebooklibonline.com>

KEY	PART NO.	PART NAME	QTY	Serial No.	REMARKS
..	AM134149	GASOLINE ENGINE	1	500001-_____	(MARKED FH500V-BS32) (ORDER AM131438)
..	AM135269	GASOLINE ENGINE	1		(MARKED FH500V-CS32) (MEETS EU EMISSION REGULATION) (ORDER AM131438)
..	MIA10630	GASOLINE ENGINE	1		(MARKED FH500V-DS32) (LOW PERMEABILITY HOSE) (ORDER AM131438)
..	AM131438	SHORT BLOCK ASSEMBLY	1		



MP25936



Suggest:

For more complete manuals. Please go to the home page.

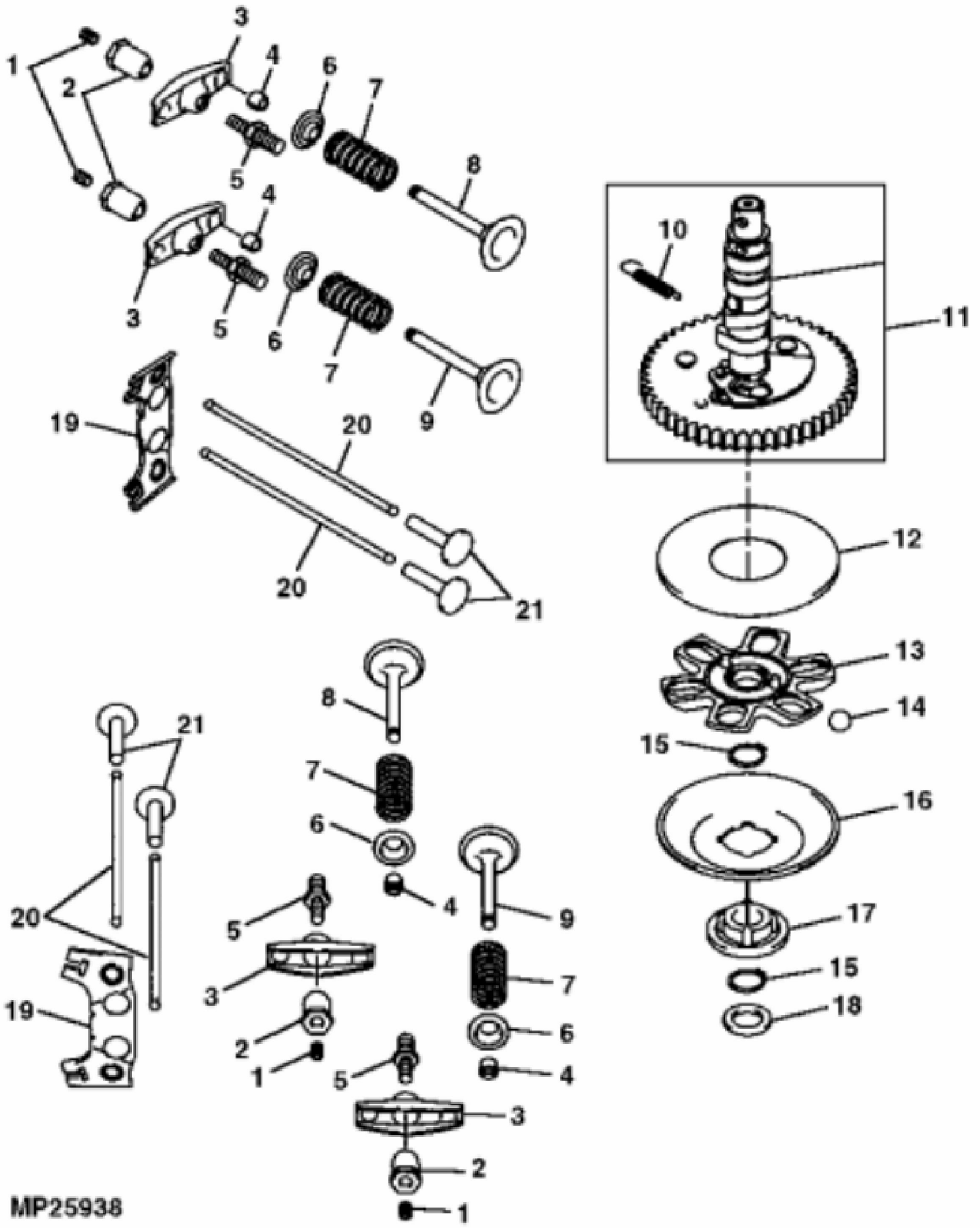
<https://www.ebooklibonline.com>

If the above button click is invalid. Please download this document first, and then click the above link to download the complete manual.

Thank you so much for reading

John Deere > Turf And Utility >TRACTOR, LAWN AND GARDEN >LTR180 - TRACTOR, LAWN AND GARDEN >LTR180 Rear Discharge Lawn Tractor >20 ENGINE AM135269 >ST594041 - PISTON AND CRANKSHAFT

KEY	PART NO.	PART NAME	QTY	REMARKS	
1	AM127861	PISTON RING KIT	2	STD	
1	AM128007	PISTON RING KIT	2	.50 MM (.020") OS	
2	M138398	SNAP RING	4	(SUB FOR M140233)	
3	M138397	PISTON PIN	2		
4	M143754	PISTON	2	STD	
4	M143755	PISTON	2	.50 MM (.020") OS	
5	AM127863	CONNECTING ROD	2	STD	
5	AM128006	CONNECTING ROD	2	.50 MM (.020") US	
6	19M7874	CAP SCREW	2	M6 X 30	
7	AM127862	CRANKSHAFT	1		



MP25938

<https://www.ebooklibonline.com>

Hello dear friend!

Thank you very much for reading.

Enter the link into your browser.

The full manual is available for immediate download.

<https://www.ebooklibonline.com>