

MP30542

KEY	PART NO.	PART NAME	QTY	REMARKS
1	19M7775	SCREW	4	M6 X 16
2	M144669	COVER	1	NLA; ORDER MIU13921; BREATHER
2	MIU13921	COVER	1	
3	M144670	GASKET	1	NLA; ORDER MIU13922; BREATHER
3	MIU13922	GASKET	1	
4	M138386	FILTER ELEMENT	1	NLA
5	M143308	PLATE	1	NLA
6	M149281	SEAL	1	
7	19M8477	CAP SCREW	4	M6 X 40
8	MIU11950	COVER	2	VALVE, (SUB FOR M144299)
9	M138375	GASKET	2	VALVE COVER
10	MIU11326	BOLT	17	(SUB FOR M138393)
11	M138389	SEAL	4	(SUB FOR M149280)
12	M138394	BOLT	2	NLA; ORDER MIU11322
12	MIU11322	BOLT	2	
13	M151770	CYLINDER HEAD	1	NO. 1, (SUB FOR M144207)
14	M138395	STUD	4	NLA; ORDER MIU11736
14	MIU11736	BOLT	4	NLA; ORDER MIU12726
14	MIU12726	STUD	4	
15	M138388	PIN	6	
16	M153443	ENGINE CYLINDER HEAD GASKET	2	(SUB FOR M149278)
17	M151771	CYLINDER HEAD	1	NO. 2, (SUB FOR M144209)
18	M149282	SEAL	1	
19	M138387	SNAP RING	2	
20	M150448	COVER	1	CRANKCASE
21	M138392	SEAL	1	NLA; ORDER M151774
21	M151774	SEAL	1	
22	M138382	GASKET	1	
23	M147270	PLUG	1	NLA; ORDER MIU14001
23	MIU14001	PLUG	1	
24	M149279	CRANKCASE	1	
25	14M7166	LOCK NUT	4	M8, (ENGINE MOUNTING)
26	19M7897	SCREW	4	M8 X 35, (ENGINE MOUNTING)
27	.....	HOSE	1	OIL DRAIN, (MAKE FROM TY22562)
..	AM133230	SHORT BLOCK ASSEMBLY	1	

**<https://www.ebooklibonline.com>**

Hello dear friend!

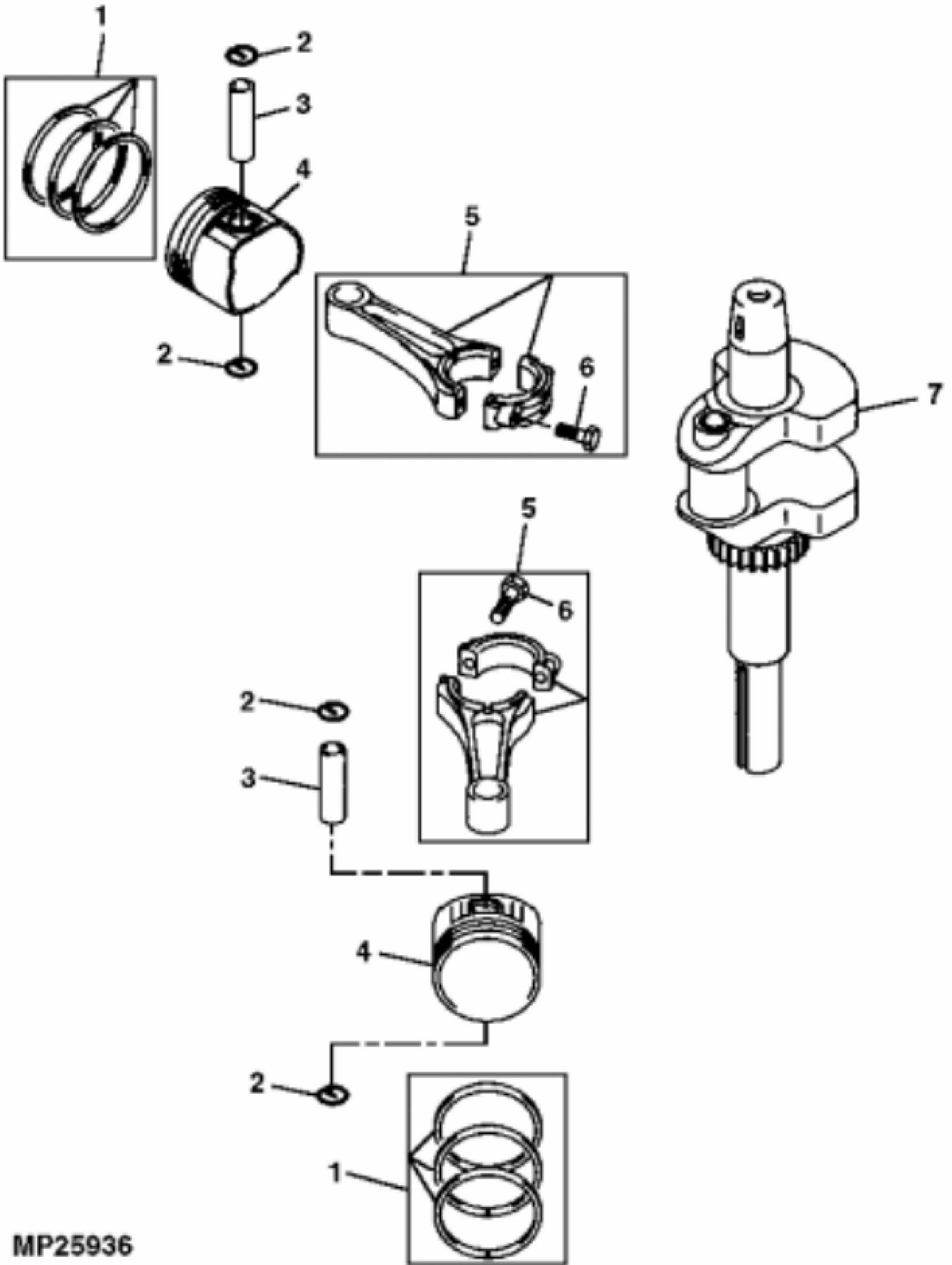
Thank you very much for reading.

Enter the link into your browser.

The full manual is available for immediate download.

**<https://www.ebooklibonline.com>**

KEY	PART NO.	PART NAME	QTY	REMARKS	
..	AM132822	GASOLINE ENGINE	1	(MARKED FH580V-AS04) (SUB AM133230)	
..	AM135270	GASOLINE ENGINE	1	(MARKED FH580V-BS04) (MEETS EU EMISSION REGULATION) (SUB AM133230)	



MP25936



**Suggest:**

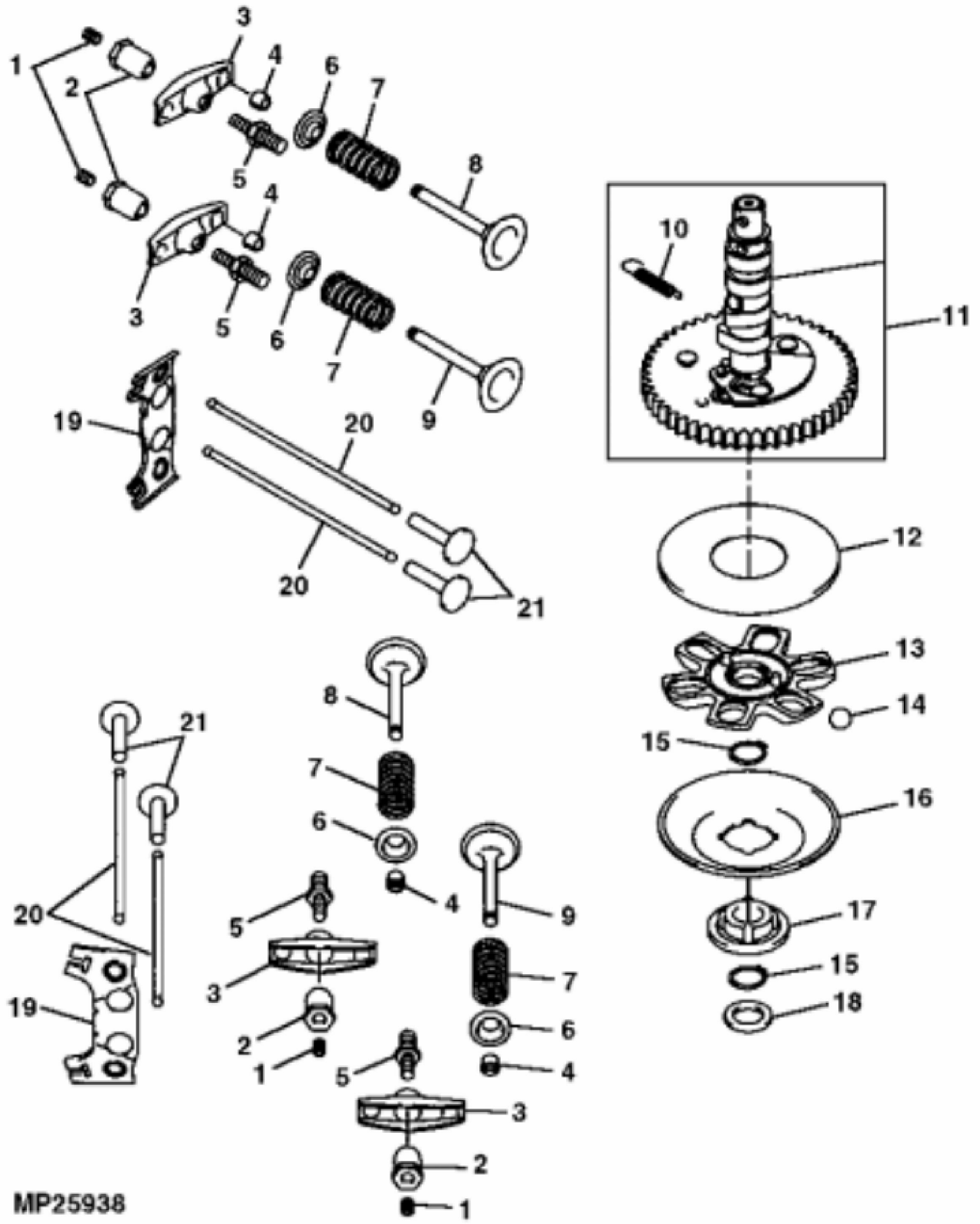
**For more complete manuals. Please go to the home page.**

**<https://www.ebooklibonline.com>**

**If the above button click is invalid. Please download this document first, and then click the above link to download the complete manual.**

**Thank you so much for reading**

KEY	PART NO.	PART NAME	QTY	REMARKS	
1	AM133164	PISTON RING	2		
2	M138398	SNAP RING	4	(SUB FOR M140233)	
3	M138397	PISTON PIN	2		
4	M149283	PISTON	2		
5	AM133166	CONNECTING ROD	2		
6	M146763	BOLT	2		
7	MIA11163	CRANKSHAFT	1	(SUB FOR AM133165)	



MP25938

**<https://www.ebooklibonline.com>**

Hello dear friend!

Thank you very much for reading.

Enter the link into your browser.

The full manual is available for immediate download.

**<https://www.ebooklibonline.com>**