



KEY	PART NO.	PART NAME	QTY	REMARKS
1	LG692543	CYLINDER BLOCK	1	NLA; (SUB FOR LG808439)
2	LG808534	BUSHING	1	
3	LG805101S	SEAL	1	(SUB FOR LG805101)
4	M145399	SLEEVE	1	DOWEL, (SUB FOR LG805103 OR LG690684)
5	LG805059	DRAIN PLUG	1	NLA; OIL (CYLINDER BLOCK) (ENGINE MARKED 3037771147E1)
6	15H623	DRAIN PLUG	1	OIL (PAN) (SUB FOR LG805048 OR LG690946)
7	AM125424	OIL FILTER	1	
8	LG808235	ADAPTER FITTING	1	(INCLUDES GASKET)
9	LG690706	LOCK WASHER	2	(SUB FOR LG805449)
10	LG690682	STUD	1	(SUB FOR LG805073)
11	LG690679	CAP SCREW	1	(SUB FOR LG805030)
12	LG692063	GASKET	1	(SUB FOR LG805250)
13	LG807688	GASKET	1	BREATHER
14	AM131315	BREATHER	1	(SUB FOR LG807795, LG692095 OR M143320)
15	LG690751	SCREW	1	(SUB FOR LG805751)
16	MIU11524	SCREW	9	(NLA) (SUB FOR LG692540) (ORDER 19M7269)
17	LG806083S	STRUCTURAL TUBE	1	BREATHER, (SUB FOR LG806083)
18	LG690686	PLATE	1	BREATHER, (SUB FOR LG805197)
19	LG691550	RETAINER	1	(SUB FOR LG806096)
20	LG690680	SEAL	1	(A), GOVERNOR, (SUB FOR LG805054)
21	LG690701	BUSHING	1	(A), GOVERNOR, (SUB FOR LG805412)
22	LG690702	BUSHING	1	GOVERNOR, (SUB FOR LG805413)
22	M144914	BUSHING	1	(A)
23	LG690899	CRANK	1	GOVERNOR, (SUB FOR LG807596)
23	AM131177	CRANK	1	(A)
24	LG805049S	SEAL	1	(A) (SUB FOR LG805049)
25	LG690704	WASHER	1	(A) (SUB FOR LG805416)
26	MIU12287	GASKET	1	NLA; ORDER MIU11265; (A); SUB FOR LG806190, LG691684 ; Crankcase
26	MIU11265	GASKET	1	NLA; ORDER MIU13345
26	MIU13345	GASKET	1	NLA; ORDER MIU14235
26	MIU14235	GASKET	1	
27	LG692154	SEAL	1	(A) (SUB FOR LG806191)

**<https://www.ebooklibonline.com>**

Hello dear friend!

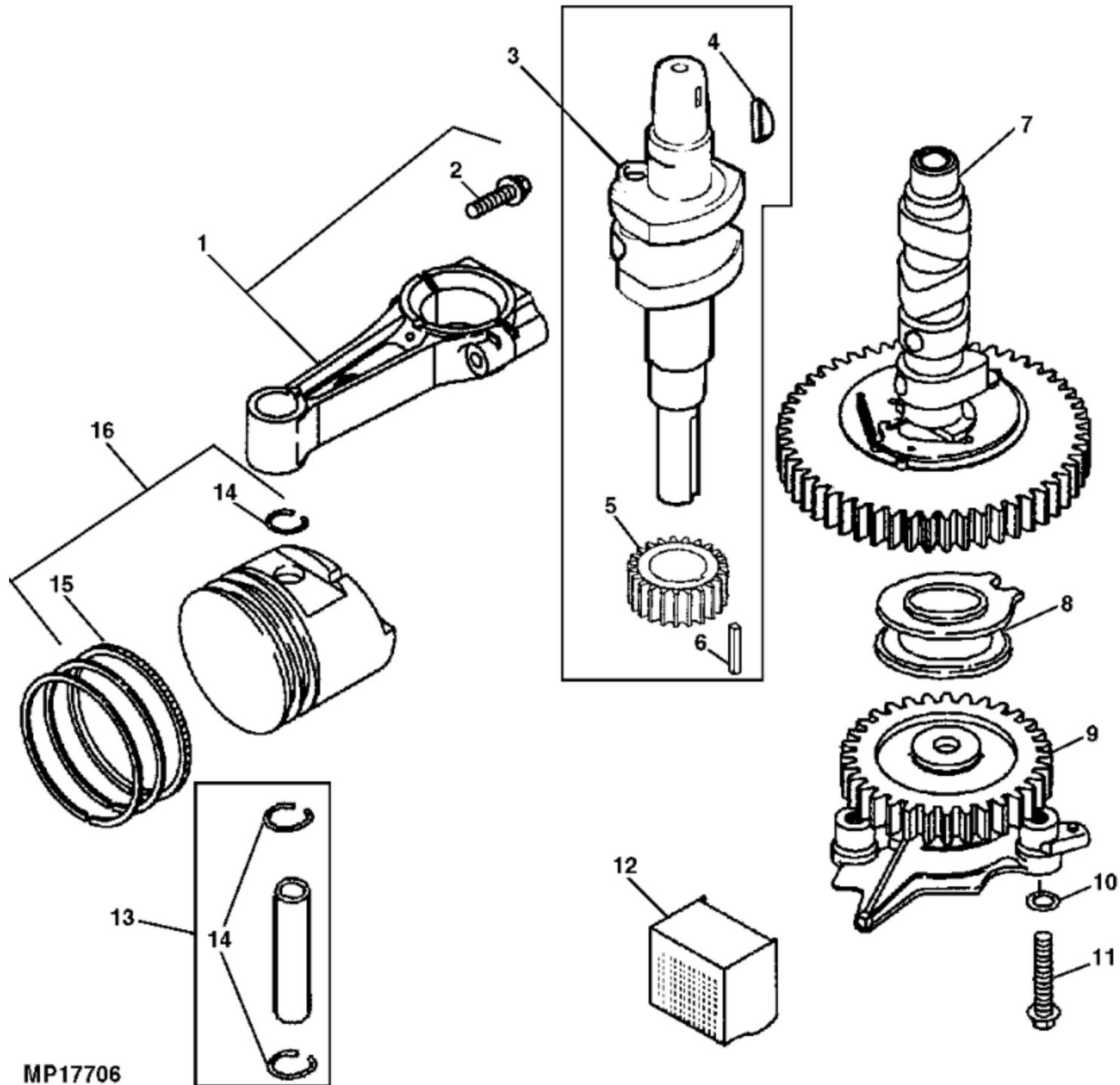
Thank you very much for reading.

Enter the link into your browser.

The full manual is available for immediate download.

**<https://www.ebooklibonline.com>**

KEY	PART NO.	PART NAME	QTY	REMARKS
28	LG808504	RESERVOIR	1	ENGINE SUMP (ENGINE MARKED 3037771147E1) (SUB FOR LG807638)
28	MIA11613	CRANKCASE	1	ENGINE SUMP (INCLUDES PARTS MARKED (A)) (ENGINE MARKED 3037771162E1) (SUB FOR AM131176)
29	LG692053	SEAL	1	(SUB FOR LG805011)
30	LG270920	SEAL	1	
31	LG692093	STRUCTURAL TUBE	1	OIL FILL, (SUB FOR LG807501)
32	LG692537	CAP SCREW	2	(SUB FOR LG805317)
33	LG692101	DIPSTICK	1	(SUB FOR LG807985)
34	AM119686	DRAIN VALVE	1	
35	.....	BULK HOSE	1	(MAKE FROM TY22562)
..	LG808036	LABEL KIT	1	NLA
..	AM125685	GASOLINE ENGINE	1	(MARKED 3037771147E1) (SUB AM130705) (ALSO ORDER AM129702)
..	AM130705	GASOLINE ENGINE	1	NLA; (MARKED 3037771162E1)



MP17706



**Suggest:**

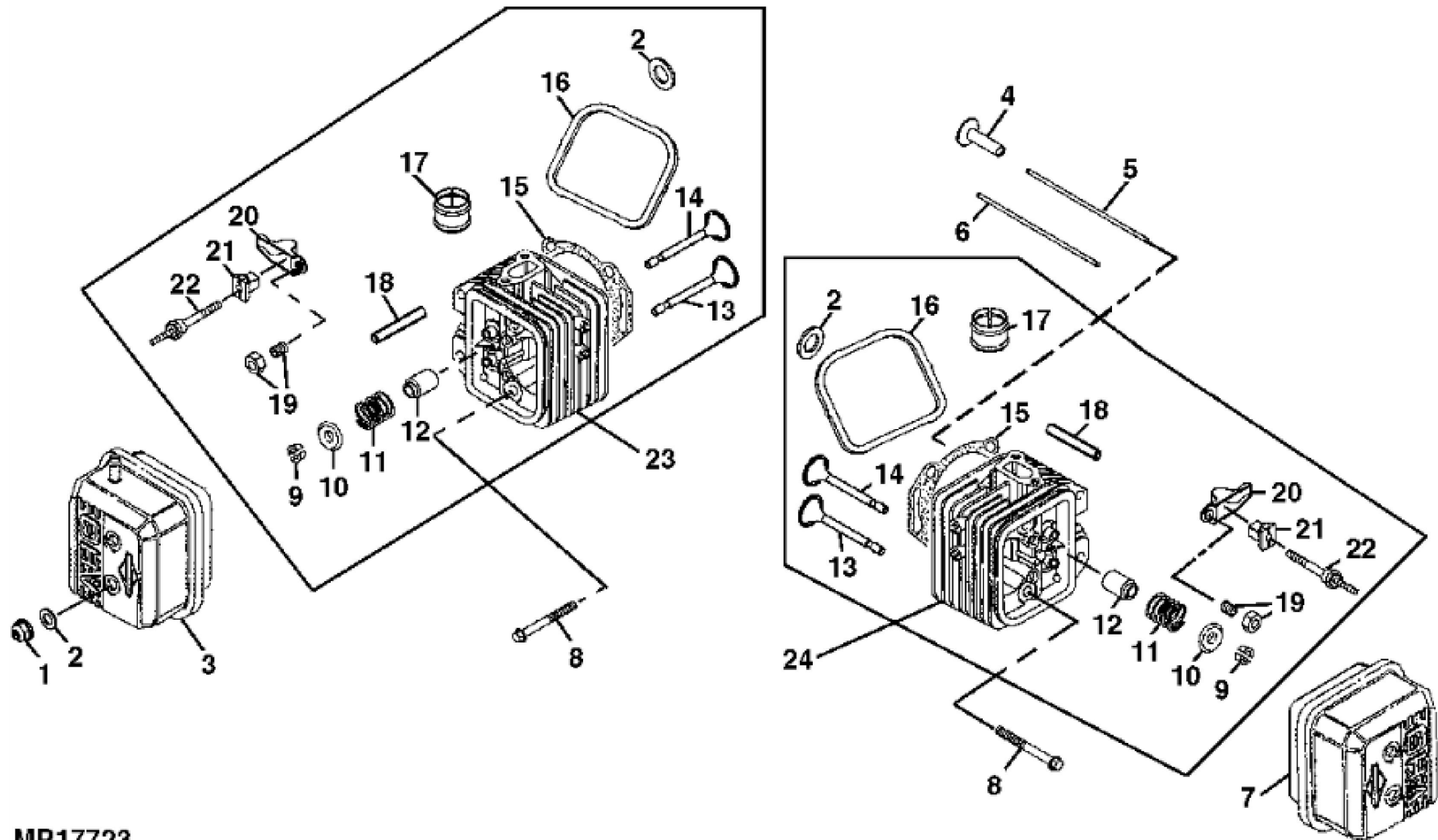
**For more complete manuals. Please go to the home page.**

**<https://www.ebooklibonline.com>**

**If the above button click is invalid. Please download this document first, and then click the above link to download the complete manual.**

**Thank you so much for reading**

KEY	PART NO.	PART NAME	QTY	REMARKS
1	LG807900S	CONNECTING ROD	1	(STD) (SUB FOR LG807900)
1	LG807803	CONNECTING ROD	1	.50 MM (.020") US, (NLA)
2	LG690698	SCREW	2	(SUB FOR LG805395)
3	LG692159	CRANKSHAFT	1	NLA(SUB FOR LG808415)
4	M145150	SHAFT KEY	1	(SUB FOR LG806066)
5	LG691530	GEAR	1	TIMING, (SUB FOR LG805984)
6	LG691639	SHAFT KEY	1	
7	LG691557	GEAR	1	CAM, (SUB FOR LG807542)
8	LG690689	SPOOL	1	GOVERNOR, (SUB FOR LG805313)
9	LG693186	OIL PUMP	1	(ORDER MIA11613) (SUB FOR LG807546 OR LG690893)
9	MIA11613	RESERVOIR	1	ENGINE BASE SUMP (NOT SHOWN)
10	LG690681	SEAL	2	
11	LG691492	CAP SCREW	2	(SUB FOR LG805057)
12	LG690878	SCREEN	1	OIL PUMP
13	LG807621	PISTON PIN	1	
14	LG690975	LOCK	2	(SUB FOR LG805099 OR LG690683)
15	MIU12297	RING	1	(STD) (SUB FOR LG807620)
15	LG807810	PISTON RING KIT	1	NLA; ORDER MIA12641; .50 MM (.020") OS
15	MIA12641	PISTON KIT	1	
16	MIA11530	PISTON	1	(STD) (SUB FOR LG807619 OR LG807620)
16	LG807809	PISTON	1	NLA; ORDER MIA12641; .50 MM (.020") OS



MP17723

**<https://www.ebooklibonline.com>**

Hello dear friend!

Thank you very much for reading.

Enter the link into your browser.

The full manual is available for immediate download.

**<https://www.ebooklibonline.com>**