

KEY	PART NO.	PART NAME	QTY	REMARKS
1	MIU13278	VALVE LIFTER	2	SUB FOR M131283 or M137271 or MIU11034 or MIU12989
2	AM125352	CYLINDER HEAD	1	(INCLUDES AM107046, M92356 AND M92365)
3	M149342	PUSH ROD	2	(SUB FOR M149342)
4	M92198	ENGINE CYLINDER HEAD GASKET	1	13 HP; (ENGINE MARKED CV13S-21525 OR CV13S-21532)
4	M124986	ENGINE CYLINDER HEAD GASKET	1	15 HP; (ENGINE MARKED CV15S-41610)
5	AM119712	INTAKE VALVE	1	ORDER AM107043 , M146624 , M92200 AND M92203
5	M92213	INTAKE VALVE	1	15 HP; .25 MM (.010") OS
6	AM119711	EXHAUST VALVE	1	13 HP: (STD) (INCLUDES PARTS MARKED (B))
6	M92214	EXHAUST VALVE	1	15 HP; .25 MM (.010") OS
7	15H558	PIPE PLUG	1	1/8"
8	M120417	WASHER	1	
9	M120286	SPACER	1	
10	M149264	SCREW	5	
11	M146624	SPRING	2	(A) (B)
12	M92203	CAP	2	(A) (B) VALVE SPRING
13	AM107043	KIT	2	(A) (B) RETAINER
14	M43123	RETAINER	1	(B)
15	19M8290	SCREW	2	M6 X 35, (SUB FOR M120564)
16	M131132	PIVOT	2	ROCKER ARM
17	M131133	ROCKER ARM	2	
18	TY22462	CLAMP	2	
19	M92212	HOSE	1	BREATHER
20	37M7131	SCREW	5	M6 X 20
21	M92209	COVER	1	
22	M124983	WIRING LEAD	1	152 MM (6") 18 GAUGE, (BLACK) (ENGINE MARKED 21525 OR 41610)
22	AM129698	JUMPER	1	127 MM (5") 12 GAUGE, (BLACK) (ENGINE MARKED 21532)
23	37M7091	SCREW	1	M6 X 25
24	24H1136	WASHER	1	11/32" X 11/16" X 0.065"
25	M124985	STRAP	1	
26	M93483	SCREW	1	
27	M153533	RETAINER	1	
28	M92210	BEAM	1	
29	AM117016	KIT	1	BREATHER;ORDER M153533,M92210 And M93483

<https://www.ebooklibonline.com>

Hello dear friend!

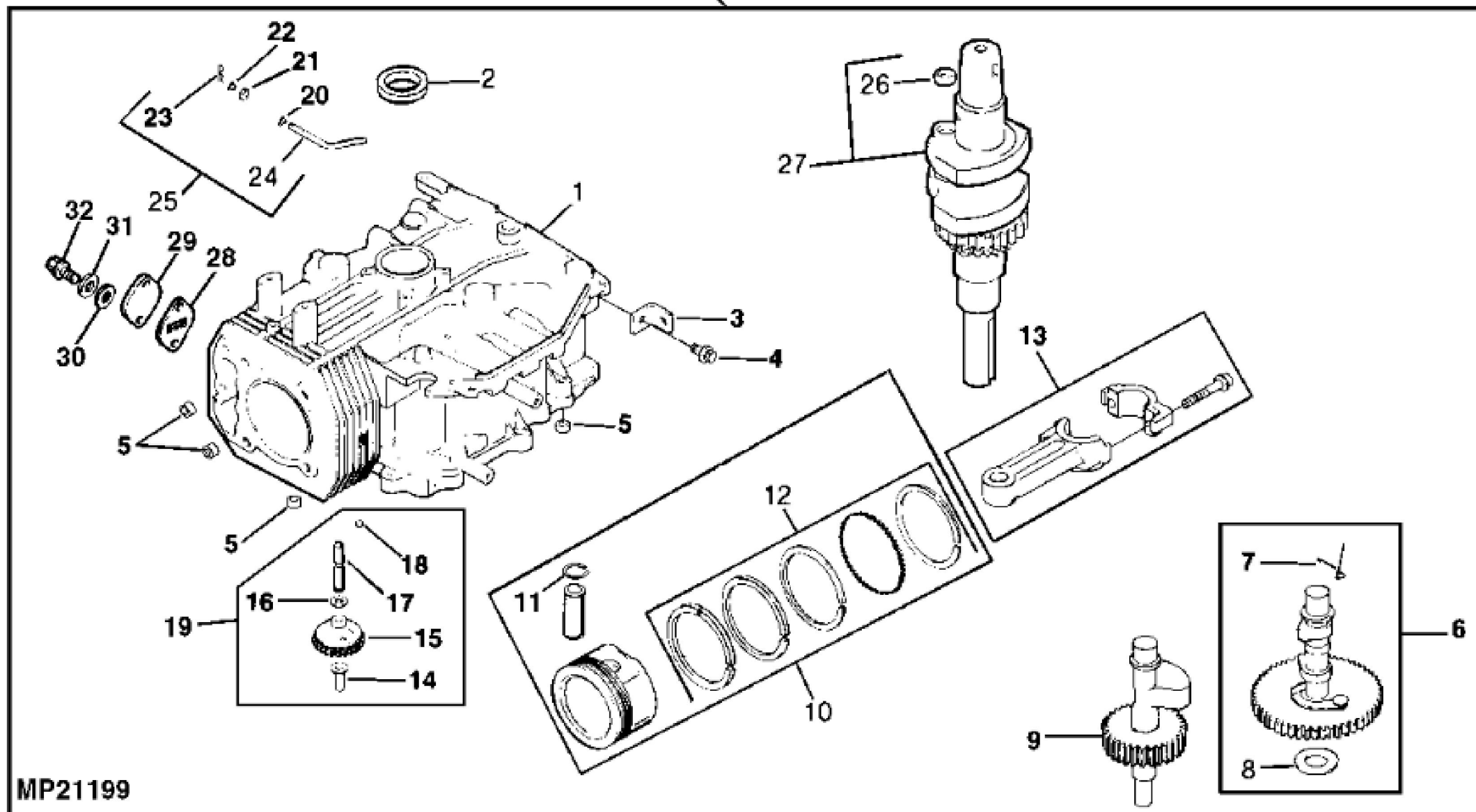
Thank you very much for reading.

Enter the link into your browser.

The full manual is available for immediate download.

<https://www.ebooklibonline.com>

33



MP21199

KEY	PART NO.	PART NAME	QTY	Serial No.	REMARKS
1	CYLINDER BLOCK	1		
2	M92074	SEAL	2		CRANKSHAFT
3	M92069	STRAP	1		
4	19M7867	SCREW	1		M8 X 25, (SUB FOR M134444)
5	MIU11251	DOWEL PIN	4		LOCATING, (SUB FOR M132339 OR M144516)
6	AM123079	CAMSHAFT	1		
7	MIU10690	SPRING	1		ACTUATING, (SUB FOR M133017)
8	M93955	SOLID SHIM	AR		.73 MM (.029"), (WHITE)
8	M97015	SOLID SHIM	AR		.75 MM (.030"), (BLUE)
8	M118585	SHIM	AR		.81 MM (.032"), (RED)
8	M96817	SOLID SHIM	AR		.86 MM (.034"), (YELLOW)
8	M96818	SOLID SHIM	AR		.91 MM (.036"), (GREEN)
8	M96819	SOLID SHIM	AR		.96 MM (.038"), (GRAY)
8	M118584	SHIM	AR		1.02 MM (.040"), (BLACK)
9	M126874	SHAFT	1		BALANCE
10	AM107033	PISTON REPLACEMENT KIT	1		STD
10	AM107035	PISTON REPLACEMENT KIT	1		.50 MM (.020") OS
10	AM122461	PISTON REPLACEMENT KIT	1		STD
10	AM122463	PISTON REPLACEMENT KIT	1		.50 MM (.020") OS
11	M92077	RETAINER	2		Piston Pin
12	AM107036	PISTON RING KIT	1		STD, Use With 13 HP
12	AM107038	PISTON RING KIT	1		.50 MM (.020") OS
12	AM122468	PISTON RING KIT	1		STD, Use with 15 HP
12	AM122470	PISTON RING KIT	1		.50 MM (.020") OS
13	M92075	CONNECTING ROD	1		(STD)
13	M92076	CONNECTING ROD	1		.25 MM (.010") OS
14	M92083	PIN	1		
15	M92082	GEAR	1		
16	M93418	WASHER	1		
17	M92081	SHAFT	1		
18	M76215	PLUG	1		
19	AM117019	GEAR KIT	1		NLA; GOVERNOR GEAR
20	M96520	WASHER	1		
21	M92079	SEAL	1		
22	M93419	WASHER	1		



Suggest:

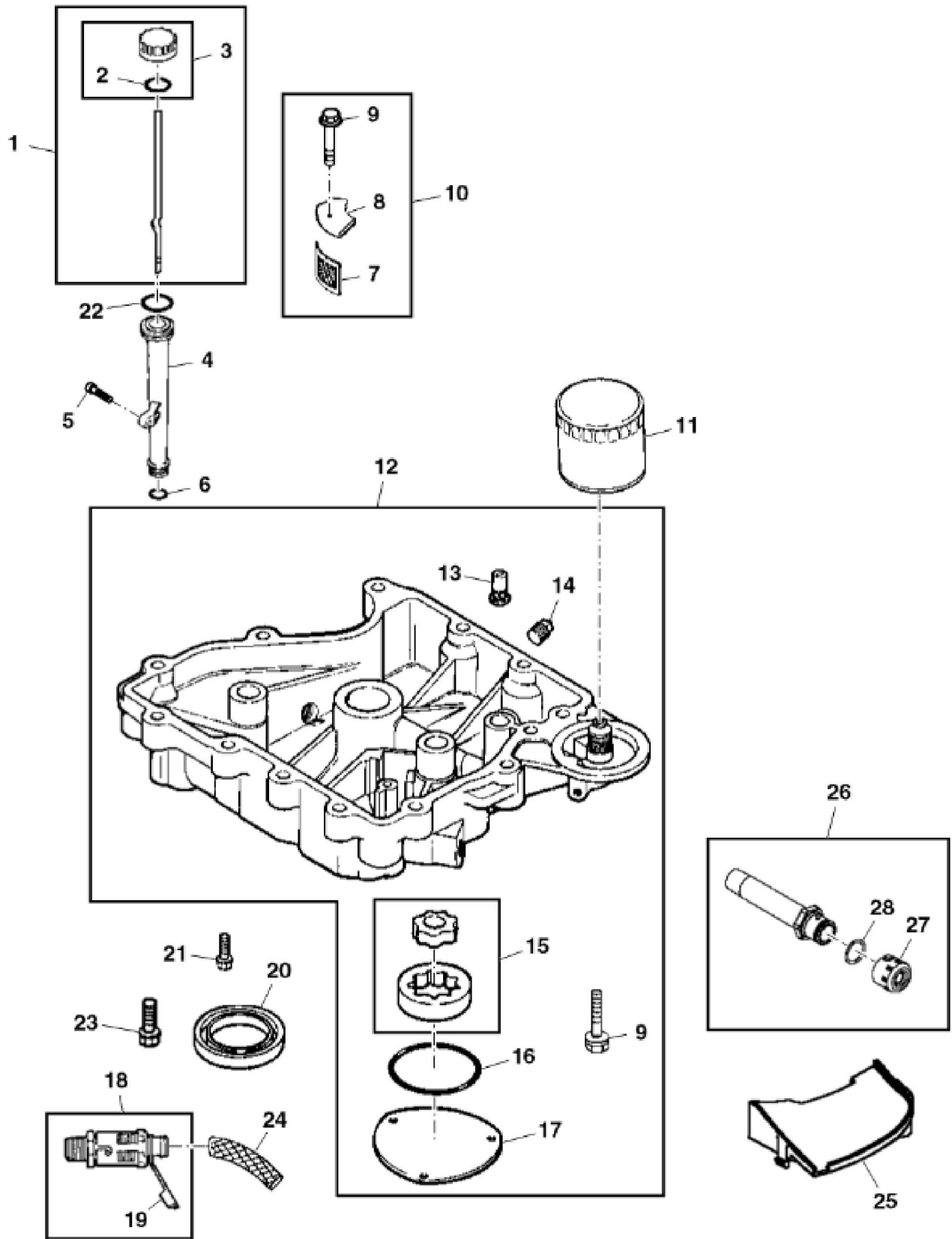
For more complete manuals. Please go to the home page.

<https://www.ebooklibonline.com>

If the above button click is invalid. Please download this document first, and then click the above link to download the complete manual.

Thank you so much for reading

KEY	PART NO.	PART NAME	QTY	Serial No.	REMARKS
23	M126396	QUICK LOCK PIN	1		
24	SHAFT	1		
25	AM123070	SHAFT KIT	1		GOVERNOR CROSS SHAFT
26	M147170	PLUG	1		
27	AM121531	CRANKSHAFT	1		(ENGINE MARKED 21525 OR 41610) (ALSO ORDER 19M7944)
27	AM128237	CRANKSHAFT	1		(ENGINE MARKED 21532)
28	M126886	GASKET	1		
29	M42101	COVER	1		
30	24H1287	WASHER	2		9/32" X 5/8" X 0.065"
31	12H302	LOCK WASHER	2		1/4"
32	37M7090	SCREW	2		M6 X 16
33	AM121420	SHORT BLOCK ASSEMBLY	1		(ENGINE MARKED CV13S-21525 OR CV13S-21532)
33	AM125360	SHORT BLOCK ASSEMBLY	1		(ENGINE MARKED CV15S-41610)
..	AM122857	ENGINE	1	____-088859	(ENGINE MARKED CV13S-21525)
..	AM129819	ENGINE	1	088860-____	(ENGINE MARKED CV13S-21532)
..	AM131973	ENGINE	1		(ENGINE MARKED CV15S-41610)



<https://www.ebooklibonline.com>

Hello dear friend!

Thank you very much for reading.

Enter the link into your browser.

The full manual is available for immediate download.

<https://www.ebooklibonline.com>