

KEY	PART NO.	PART NAME	QTY	Serial No.	REMARKS
1	UC11104	DIPSTICK	1		SUB FOR LG499602
2	LG691031	O-RING	1		
3	LG691036	DIPSTICK	1		
4	LG691032	SEAL	1		
5	LG691037	OIL TUBE	1		
6	M153266	SCREW	1		
7	LG391086S	SEAL	1		
8	MIA11778	SEAL KIT	1		SUB FOR LG499585
9	LG690959	DOWEL PIN	6		
10	MIA10607	CYLINDER	1		NLA; ORDER MIA11033
10	MIA11033	CYLINDER	1		NLA; ORDER MIA12510
10	MIA13076	CYLINDER	1		SUB FOR MIA12510
11	MIU14436	GASKET	1		SUB FOR M150226 AND MIU13979
12	LG690770	SCREEN	1		(A)
12	MIU12140	SCREEN	1		Engine MARKED 44M777-0147-G1
13	LG690946	DRAIN PLUG	1		NLA; ORDER 15H623 (Engine Marked 44M777-0147-G1, 0148-B1)
13	15H623	PIPE PLUG	1		3/8"
13	LG691680	DRAIN PLUG	1		(A)
14	LG690954	THREADED NIPPLE	1		(A)
15	15H638	PIPE PLUG	1		1/8", (A)
16	MIU11958	SEAL	1		(A)
17	MIU11284	SEAL	1		(A) Governor Shaft
18	M142281	BUSHING	1		(A) Governor Crank
19	AM134054	RESERVOIR	1		NLA (Sub MIA11584) (Includes Parts Marked (A))
19	MIA11584	RESERVOIR	1		(Sub For MIA11460) (Also Includes MIA11464, MIU12143 And (3) MIU12142)
20	AM125424	OIL FILTER	1		
21	LG690957	RETAINER	1		
22	MIU11502	BREATHER	1		
23	LG691108	SCREW	3	____-200000	8 X 1/2
23	37H74	SCREW	3	200001-____	Slt'd Hex Hd
24	MIU14443	TUBE	1		SUB FOR MIU11280
25	GASKET	1	____-200000	(Make From M64850)

<https://www.ebooklibonline.com>

Hello dear friend!

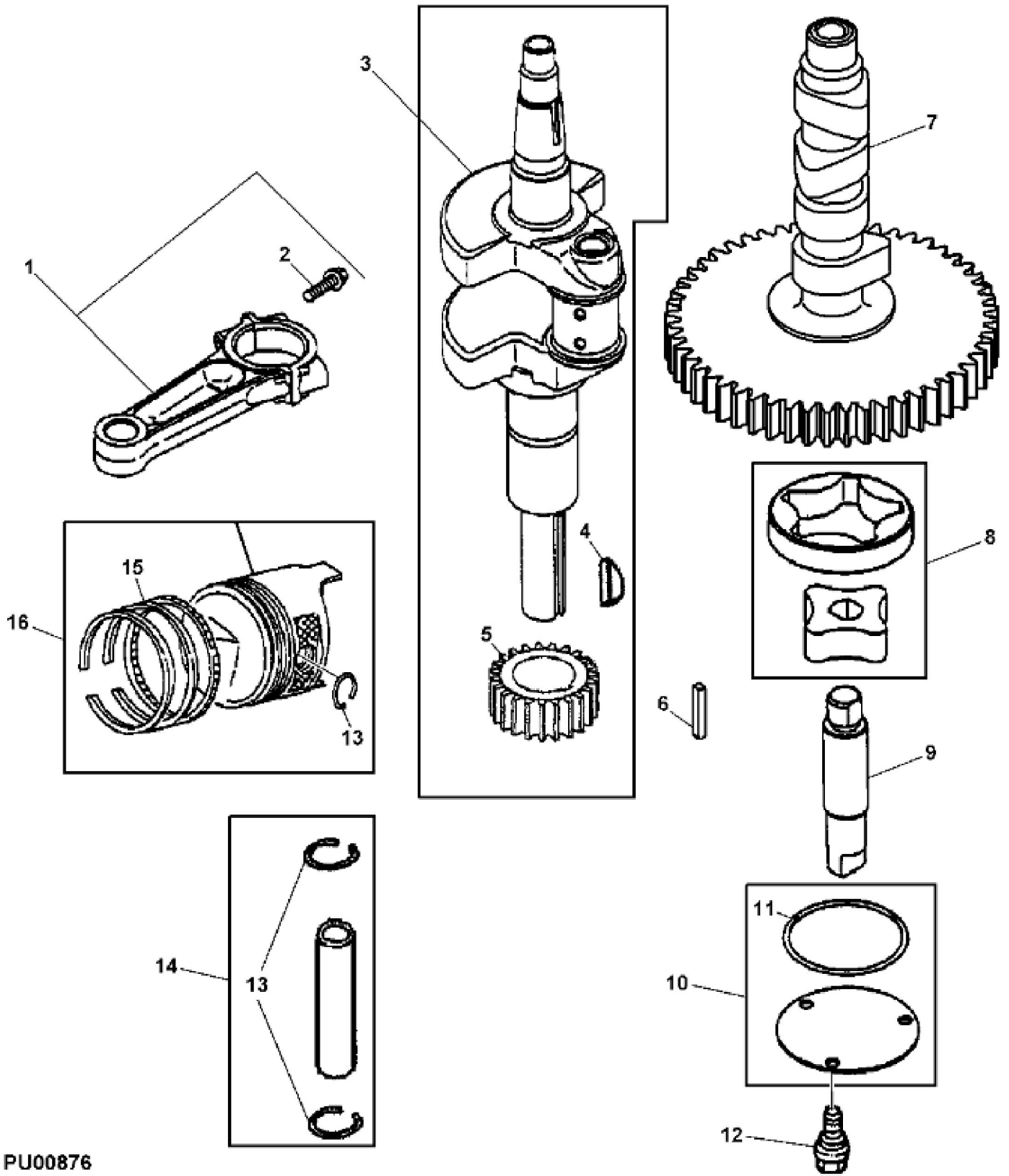
Thank you very much for reading.

Enter the link into your browser.

The full manual is available for immediate download.

<https://www.ebooklibonline.com>

KEY	PART NO.	PART NAME	QTY	Serial No.	REMARKS
25	LG690937	GASKET	1	200001-_____	
26	MIA10872	BREATHER	1		
27	M142896	SCREW	10		
28	LG691045	CRANK	1		Governor
29	M142282	BUSHING	2		
30	M142286	RETAINER	1		
31	M142280	WASHER	1		
32	GC00331	SCREW	4		NLA; ORDER GX24210; Engine Mounting
32	GX24210	SCREW	4		
33	AM131611	DRAIN PLUG	1		Oil Drain
34	TUBE	1		
35	T77932	O-RING	1		
36	M144897	CAP	1		
37	PM37469	LIQUID GASKET	1		
..	MIA11082	GASOLINE ENGINE	1	_____-200000	(NLA) (Marked 44M777-0122-B1) (Sub For MIA11467) (Sub MIA11400) (Order GY21107 (Combined Choke And Throttle Cable) With Engine)
..	MIA11083	GASOLINE ENGINE	1	_____-200000	(Marked 44M777-0123-G1) (California) (SUB MIA11401) (Order GY21107 (Combined Choke And Throttle Cable) With Engine)
..	MIA11400	GASOLINE ENGINE	1	200001-030000	(Marked 44M777-0148-B1) (SUB MIA11750)
..	MIA11401	GASOLINE ENGINE	1	200001-030000	(California) (Marked 44M777-0147-G1) (SUB MIA11750)
..	MIA11641	GASOLINE ENGINE	1	300001-_____	(49 State, Canada And Australia) (Marked 44M777- 0163-B1)
..	MIA11642	GASOLINE ENGINE	1	300001-_____	(California); Marked 44M777-0159-G1; NLA; ORDER MIA12445; SUB MIA11900
..	MIA12445	GASOLINE ENGINE	1		



PU00876



Suggest:

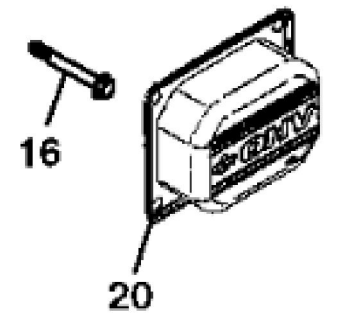
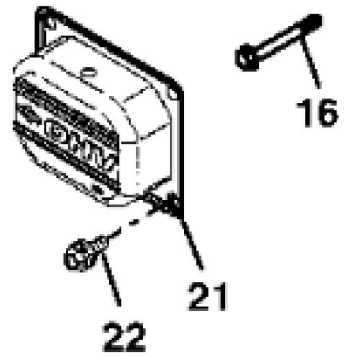
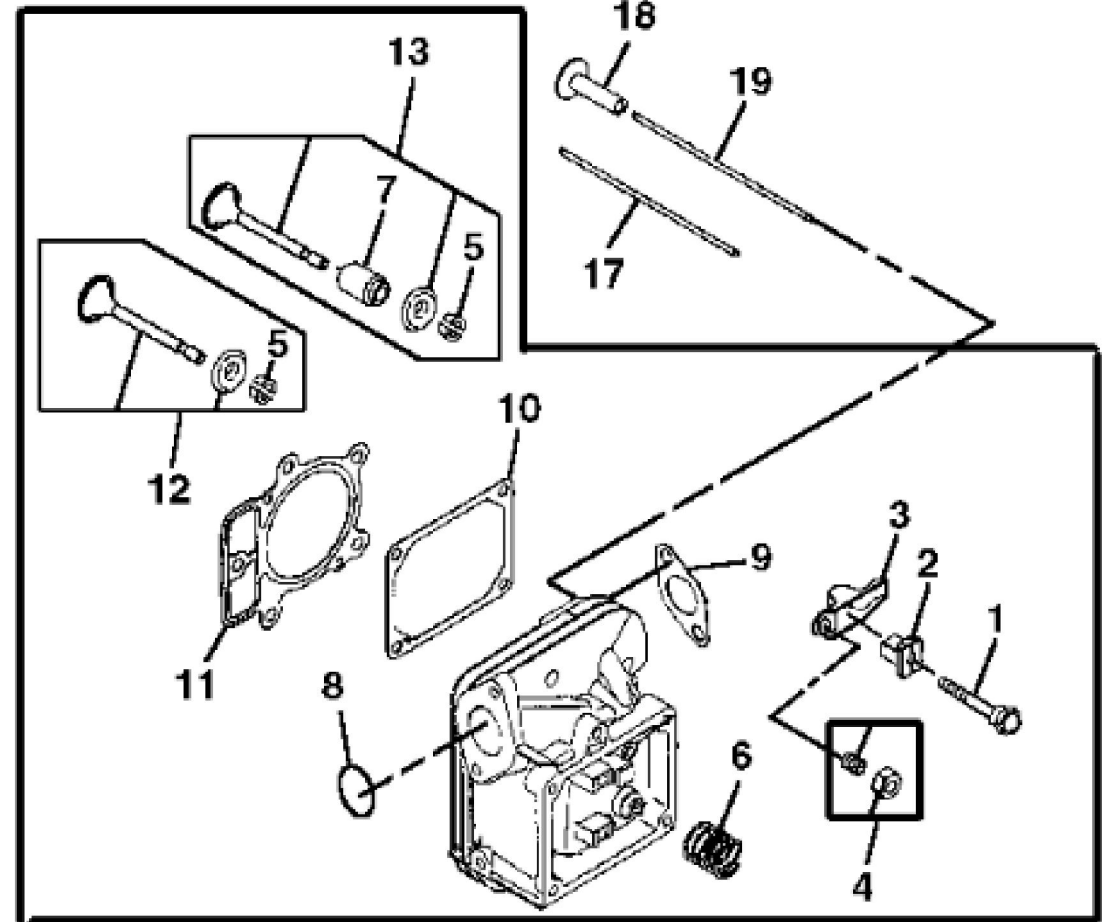
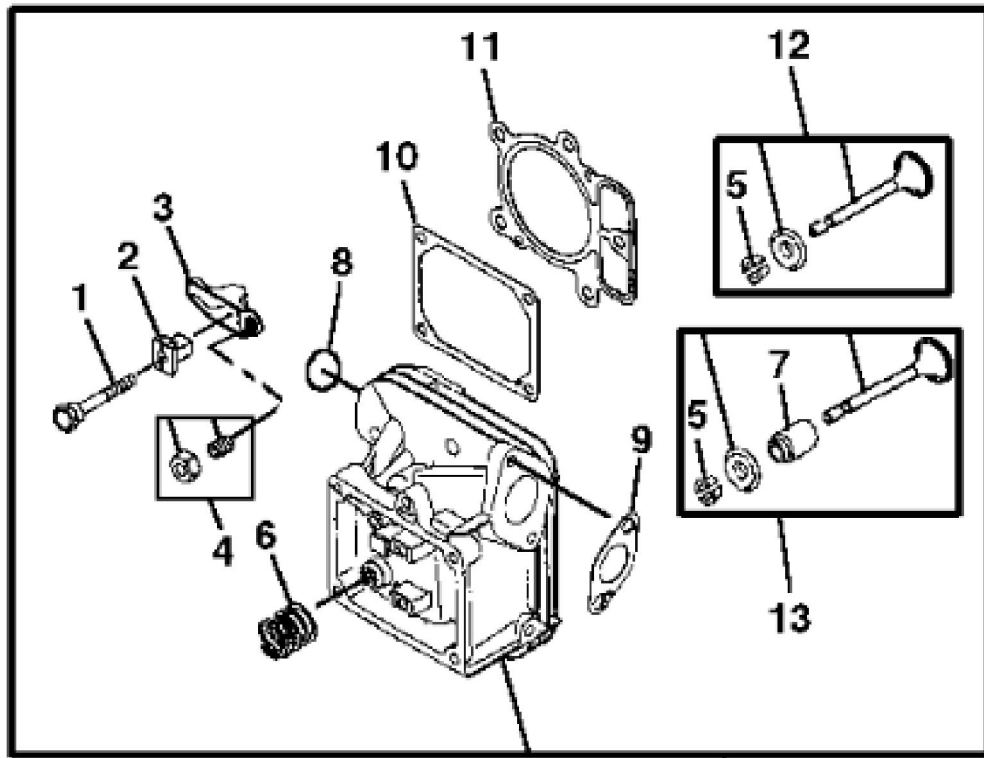
For more complete manuals. Please go to the home page.

<https://www.ebooklibonline.com>

If the above button click is invalid. Please download this document first, and then click the above link to download the complete manual.

Thank you so much for reading

KEY	PART NO.	PART NAME	QTY	Serial No.	REMARKS
1	MIA11459	CONNECTING ROD	2		(SUB FOR AM135101)
2	LG690976	SCREW	2		
3	AM135083	CRANKSHAFT	1		(SUB MIA11457)
3	MIA11457	CRANKSHAFT	1		(INCLUDES LG690980)
4	26H4	SHAFT KEY	1		1/8" X 3/8"
5	LG690980	GEAR	1		TIMING
6	LG222698S	SHAFT KEY	1		FLYWHEEL
7	MIA10916	CAMSHAFT	1		(INCLUDES (4) LG690977)
7	MIA11789	CAMSHAFT	1	300001-____	(INCLUDES (4) LG690977)
8	MIA11172	OIL PUMP	1	____-200000	
8	MIU12143	OIL PUMP	1	200001-____	
9	LG690977	TAPPET	4		
10	LG499613	COVER	1	____-200000	
10	MIA11464	COVER	1	200001-____	
11	LG690589	SEAL	1	____-200000	
11	MIU12153	SEAL	1	200001-____	
12	M151228	SCREW	3		
12	MIU12142	SCREW	3		(Engine Marked 44M777-0147-G1)
13	LG690975	LOCK	2		
14	LG690229	PISTON PIN	2		
14	MIA11458	PISTON PIN	2		(Engine Marked 44M777-0147-G1, 0163-B1, 0159-G1)
15	MIU11453	PISTON RING KIT	1		STD; NLA; ORDER MIU11282
15	MIU11283	PISTON RING KIT	1		.020" , OS
15	MIU11282	PISTON RING KIT	1		(Engine Marked 44M777-0147-G1)
16	MIA10877	PISTON	2		STD
16	MIA10878	PISTON	2		.020" , OS
16	MIA10996	PISTON	2		(Engine Marked 44M777-0147-G1, 0163-B1, 0159-G1) STD
16	MIA11788	PISTON	2	300001-____	(.20"), OS



MP40125

<https://www.ebooklibonline.com>

Hello dear friend!

Thank you very much for reading.

Enter the link into your browser.

The full manual is available for immediate download.

<https://www.ebooklibonline.com>