

PU01598

## &gt;ST245349 - CYLINDER BLOCK AND DIPSTICK

KEY	PART NO.	PART NAME	QTY	Serial No.	REMARKS
1	UC11104	DIPSTICK	1		SUB FOR LG499602
2	LG691031	O-RING	1		
3	LG691036	DIPSTICK	1		
4	LG691032	SEAL	1		
5	LG691037	OIL TUBE	1		
6	M153266	SCREW	1		
7	LG391086S	SEAL	1		
8	MIA11778	SEAL KIT	1		(Sub For LG499585)
9	LG690959	DOWEL PIN	6		
10	MIA11345	CYLINDER	1		ORDER MIA12493
10	MIA13087	CYLINDER BLOCK	1		SUB FOR APPL MIA12493
11	MIU13979	GASKET	1		SUB FOR M150226
12	MIU12140	SCREEN	1		
13	LG690946	DRAIN PLUG	1		NLA; ORDER 15H623 (Use With MIA11639 Or MIA11640)
13	15H623	PIPE PLUG	1		3/8", (Use With MIA11460)
14	LG690954	THREADED NIPPLE	1		
15	15H638	PIPE PLUG	1		1/8"
16	MIU11958	SEAL	1		
17	MIU11284	SEAL	1		Governor Shaft
18	M142282	BUSHING	1		Governor Crank
19	MIA11584	RESERVOIR	1		(Sub For MIA11460) (Also Includes MIU12143, MIA11464 Or (3) MIU12142)
20	AM125424	OIL FILTER	1		(SUB FOR LG492932S)
21	LG690957	RETAINER	1		
22	MIU11502	BREATHER	1		
23	37H74	SCREW	3		
24	MIU14443	TUBE	1		SUB FOR MIU11280
25	LG690937	GASKET	1		
26	MIA10872	BREATHER	1		
27	M142896	SCREW	10		
28	LG691045	CRANK	1		Governor
29	M142281	BUSHING	2		(Use With MIA11460)
29	MIU12503	BUSHING	1		(Use With MIA11639 Or MIA11640)

**<https://www.ebooklibonline.com>**

Hello dear friend!

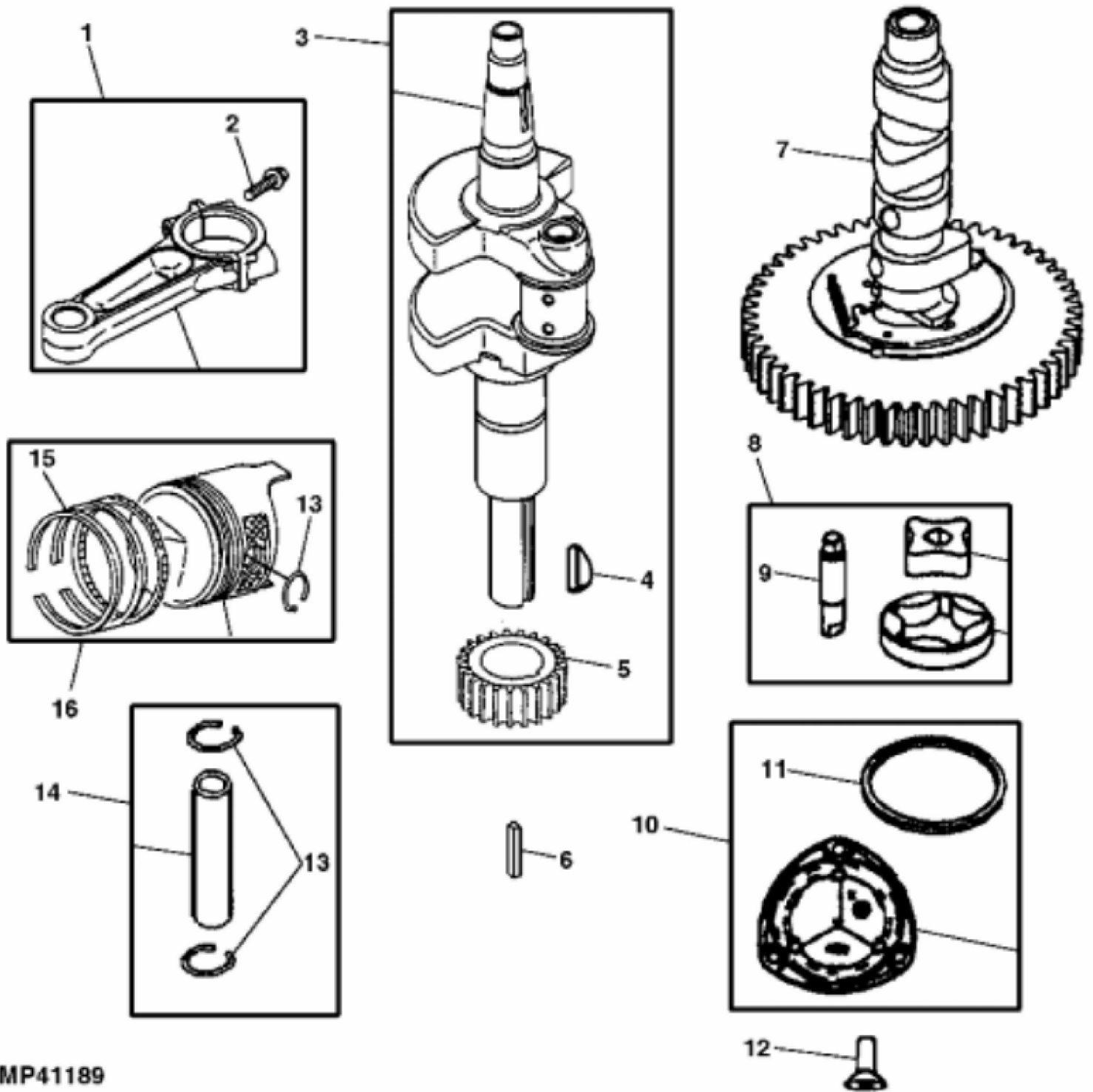
Thank you very much for reading.

Enter the link into your browser.

The full manual is available for immediate download.

**<https://www.ebooklibonline.com>**

KEY	PART NO.	PART NAME	QTY	Serial No.	REMARKS
30	M142286	RETAINER	1		
31	M142280	WASHER	1		
32	LG691044	SCREW	4		(Engine Mounting)
33	AM131611	DRAIN PLUG	1		Oil
34	.....	TUBE	1		
35	T77932	O-RING	1		
36	M144897	CAP	1		
37	PM37469	LIQUID GASKET	AR		
..	MIA11417	GASOLINE ENGINE	1	____-XXXXXX	(SUB MIA11898) (Marked 40H777-0156-B1) (49 State)
..	MIA11418	GASOLINE ENGINE	1	____-300000	(SUB MIA11898) (Marked 40H777-0160-G1) (California)
..	MIA11639	GASOLINE ENGINE	1	XXXXXX-____	NLA; ORDER MIA12443; Marked 40H777-0162-B1
..	MIA11640	GASOLINE ENGINE	1	300001-____	(California) (Marked 40H777-0155-G1) (SUB MIA11899)
..	MIA12443	GASOLINE ENGINE	1		



MP41189



**Suggest:**

**For more complete manuals. Please go to the home page.**

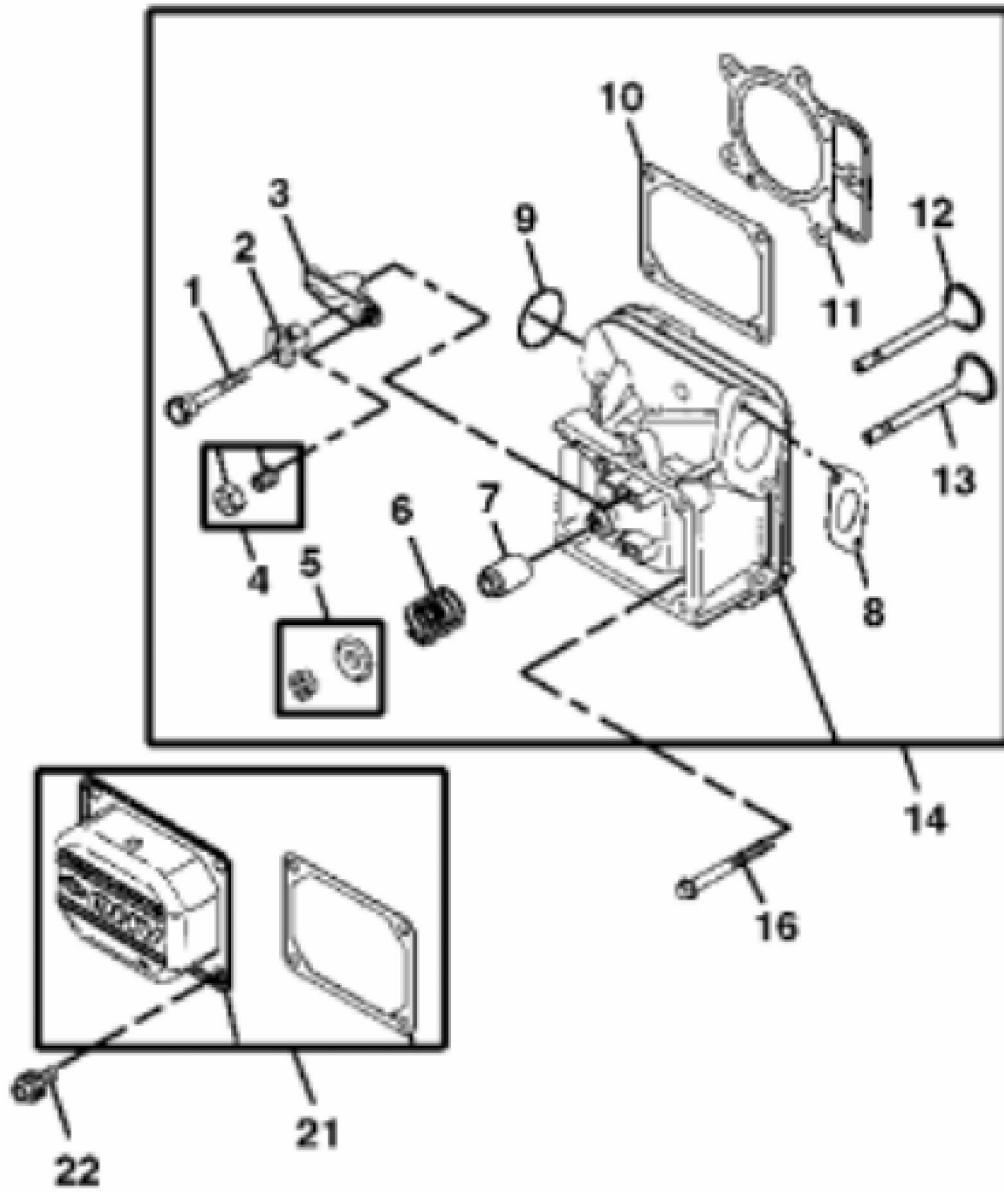
**<https://www.ebooklibonline.com>**

**If the above button click is invalid. Please download this document first, and then click the above link to download the complete manual.**

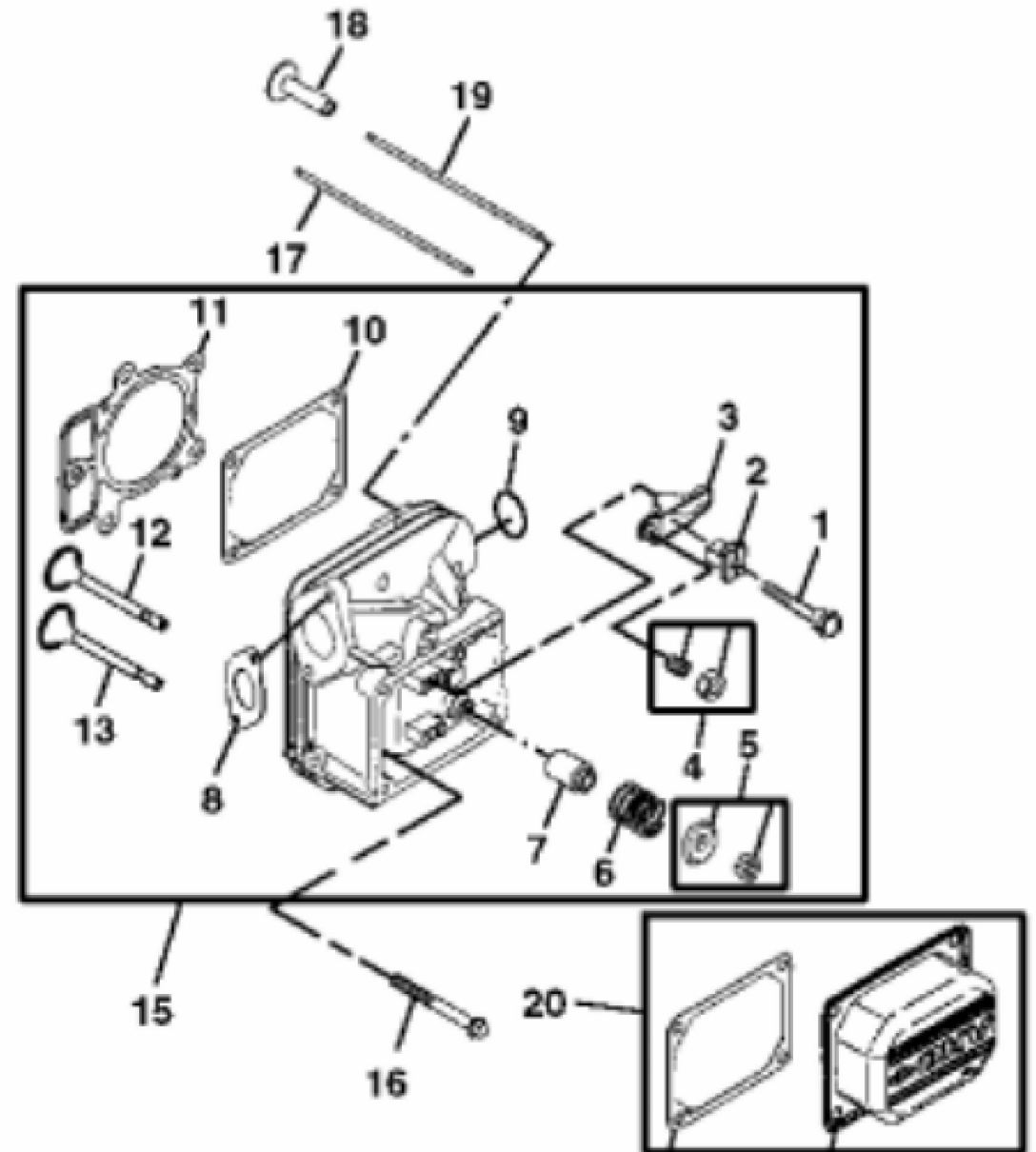
**Thank you so much for reading**

## &gt;ST245350 - CRANKSHAFT AND PISTON

KEY	PART NO.	PART NAME	QTY	REMARKS
1	MIA11459	CONNECTING ROD	2	
2	LG690976	SCREW	2	
3	MIA11457	CRANKSHAFT	1	
4	26H4	SHAFT KEY	1	1/8" X 3/8"
5	LG690980	GEAR	1	TIMING
6	LG222698S	SHAFT KEY	1	FLYWHEEL
7	MIA10916	CAMSHAFT	1	(INCLUDES (4) LG690977)
7	MIA11789	CAMSHAFT	1	(INCLUDES (4) LG690977 ) (USE WITH MIA11639, MIA11640)
8	MIU12143	OIL PUMP	1	
9	LG691042	SHAFT	1	NLA; ORDER MIA11172
9	MIA11172	OIL PUMP	1	
10	MIA11464	COVER	1	
11	MIU12153	SEAL	1	
12	MIU12142	SCREW	3	
13	LG690975	LOCK	AR	
14	MIA11458	PISTON PIN	2	
15	MIU12013	PISTON RING KIT	1	(SUB FOR MIU12180)
15	MIU12161	PISTON RING KIT	1	.50MM (.020") , OS
16	MIA11346	PISTON	2	
16	MIA11102	PISTON	2	.50MM (.020") , OS



MP41654



**<https://www.ebooklibonline.com>**

Hello dear friend!

Thank you very much for reading.

Enter the link into your browser.

The full manual is available for immediate download.

**<https://www.ebooklibonline.com>**