

PU01598

KEY	PART NO.	PART NAME	QTY	Serial No.	REMARKS
1	UC11104	DIPSTICK	1		SUB FOR LG499602
1	MIU13965	COVER	1		(Not Illustrated) USE WITH MIA12443; SUB FOR LG499602
2	LG691031	O-RING	1		
3	LG691036	DIPSTICK	1		
4	LG691032	SEAL	1		
5	LG691037	OIL TUBE	1		
6	M153266	SCREW	1		
7	LG391086S	SEAL	1		
8	MIA11778	SEAL KIT	1		(Sub For LG499585)
9	LG690959	DOWEL PIN	1		
10	MIA11345	CYLINDER	1		ORDER MIA12493
10	MIA13087	CYLINDER	1		SUB FOR APPL MIA12493
11	MIU13979	GASKET	1		SUB FOR M150226; (A)
12	LG690770	SCREEN	1		(A)
12	MIU12140	SCREEN	1		USE WITH MIA11398, MIA11399 OR MIA11584
13	LG691680	DRAIN PLUG	1		(A)
13	LG690946	DRAIN PLUG	1		NLA; ORDER 15H623 (Use With MIA11398, MIA11399 Or MIA11584)
13	15H623	PIPE PLUG	1		3/8"
14	LG690954	THREADED NIPPLE	1		(A)
15	15H638	PIPE PLUG	1		1/8", (A)
16	MIU11958	SEAL	1		(A) (Sub For MIU11212)
17	M142284	SEAL	1		NLA; ORDER MIU11284; Governor Crank
17	MIU11284	SEAL	1		(A), USE WITH MIA11584
18	M142281	BUSHING	1		(A) Governor Crank
19	AM134054	RESERVOIR	1		(Sub MIA11584) (Includes Parts Marked (A))
19	MIA11584	RESERVOIR	1		(Sub For MIA11460) (Also Includes MIU12143, MIA11464 Or (3) MIU12142)
20	AM125424	OIL FILTER	1		
21	LG690957	RETAINER	1		
22	MIU11502	BREATHER	1		(Sub For LG690956)
23	LG691108	SCREW	3		
23	37H74	SCREW	3		(Use With MIA11398 Or MIA11399)

<https://www.ebooklibonline.com>

Hello dear friend!

Thank you very much for reading.

Enter the link into your browser.

The full manual is available for immediate download.

<https://www.ebooklibonline.com>

KEY	PART NO.	PART NAME	QTY	Serial No.	REMARKS
24	MIU14443	TUBE	1		SUB FOR MIU11280
25	LG690937	GASKET	1		Breather
26	MIA10872	BREATHER	1		
27	M142896	SCREW	10		
28	LG691045	CRANK	1		Governor
29	M142282	BUSHING	2		
30	M142286	RETAINER	1		
31	M142280	WASHER	1		
32	GC00331	SCREW	4		NLA; ORDER GX24210; Engine Mounting
32	GX24210	SCREW	4		
33	AM131611	DRAIN PLUG	1		Oil Drain
34	TUBE	1		
35	T77932	O-RING	1		
36	M144897	CAP	1		
37	PM37469	LIQUID GASKET	1		
38	LG692125	CAP SCREW	1		(Not Illustrated) USE WITH MIA11584
..	MIA11019	GASOLINE ENGINE	1	_____-200000	(Marked 407777-0188-B1)
..	MIA11020	GASOLINE ENGINE	1	_____-200000	(Not Illustrated) NLA; MARKED 407777-0189-G1; ORDER MIA12443; (California)
..	MIA11398	GASOLINE ENGINE	1	200001-300000	BRIGGS 49 State; (Sub MIA11896)
..	MIA11399	GASOLINE ENGINE	1	200001-300000	California (Marked 407777-0145-G1) (Sub MIA11896)
..	MIA11897	GASOLINE ENGINE	1	300001-____	(Sub For MIA11843 Or MIA11637) (Marked 407777-0232-B1) (SubMIA12075)
..	MIA11638	GASOLINE ENGINE	1	300001-____	California (Marked 407777-0272-G1)
..	MIA12075	GASOLINE ENGINE	1		(22HP, 49ST, FIFO)
..	MIA12443	GASOLINE ENGINE	1		(Not Illustrated) SUB FOR MIA11638



Suggest:

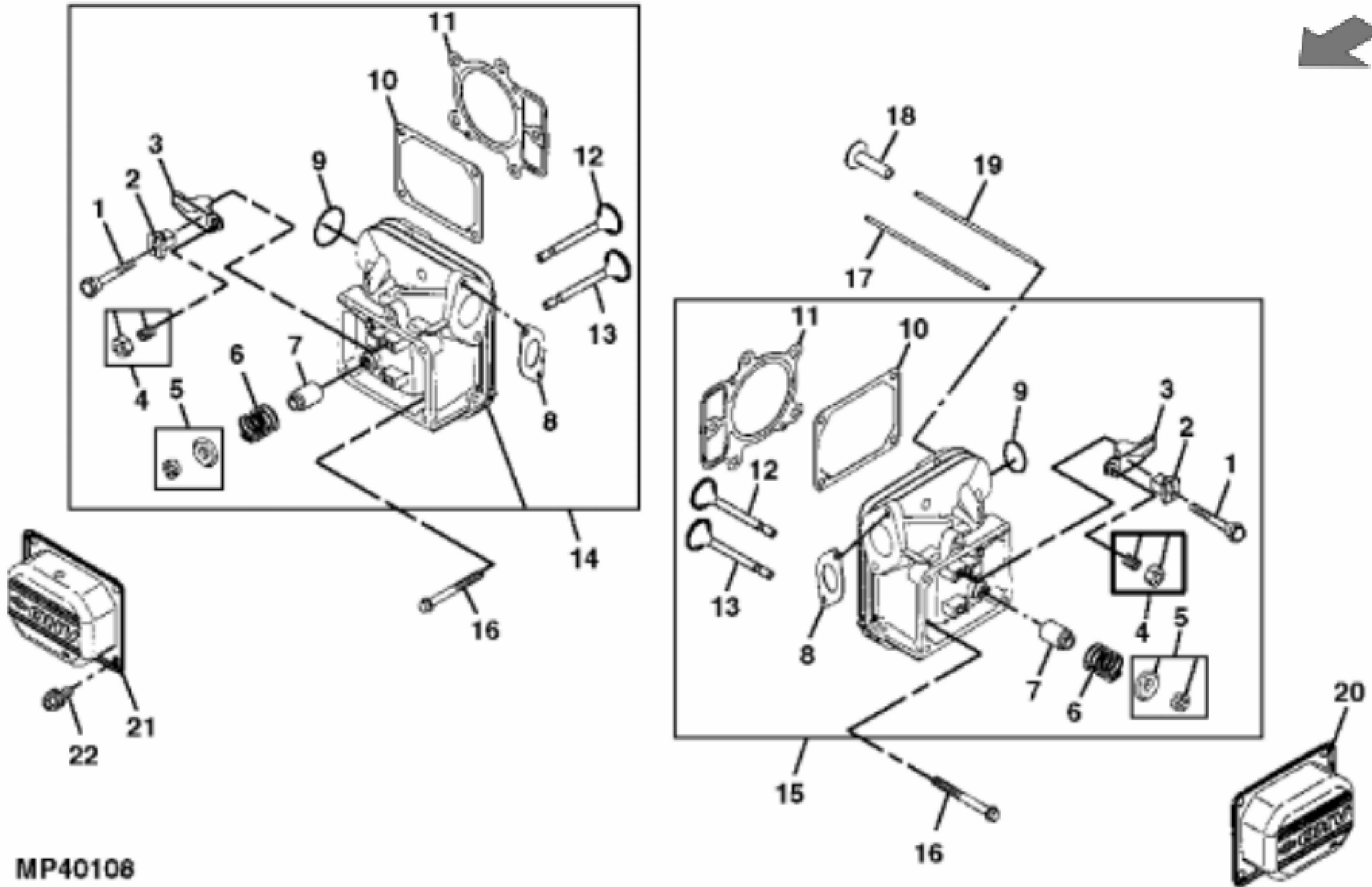
For more complete manuals. Please go to the home page.

<https://www.ebooklibonline.com>

If the above button click is invalid. Please download this document first, and then click the above link to download the complete manual.

Thank you so much for reading

KEY	PART NO.	PART NAME	QTY	Serial No.	REMARKS
1	MIA11459	CONNECTING ROD	2		(Sub For AM135101)
2	LG690976	SCREW	2		
3	AM135083	CRANKSHAFT	1		(Sub MIA11457)
3	MIA11457	CRANKSHAFT	1		(Includes LG690980)
4	26H4	SHAFT KEY	1		1/8" X 3/8"
5	LG690980	GEAR	1		Timing
6	LG222698S	SHAFT KEY	1		Flywheel
7	MIA10916	CAMSHAFT	1		(Includes (4) LG690977)
7	M151221	CAMSHAFT	1		(Includes (4) LG690977) (Use With MIA11019)
8	MIA11172	OIL PUMP	1		(Includes Parts Marked (A))
8	MIU12143	OIL PUMP	1		(Includes Parts Marked (A)) (Use With MIA11398, MIA11399 Or MIA11584)
9	SHAFT	1		(A)
10	LG499613	COVER	1		
10	MIA11464	COVER	1		(Use With MIA11398, MIA11399 Or MIA11584)
11	LG690589	SEAL	1	____-200000	
11	MIU12153	SEAL	1	200001-____	(Use With MIA11398, MIA11399 Or MIA11584)
12	M151228	SCREW	3		
12	MIU12142	SCREW	3		(Use With MIA11398, MIA11399 Or MIA11584)
13	LG690975	LOCK	4		
14	LG690229	PISTON PIN	2		
14	MIA11458	PISTON PIN	2		(Use With MIA11398 Or MIA11399)
15	MIU12013	PISTON RING KIT	1		STD (Use With MIA11346) (Sub For MIU12180)
15	PISTON RING KIT	2		.50 MM (.020") , OS (ORDER MIA11102)
16	MIA11346	PISTON	2		STD
16	MIA10877	PISTON	2		STD (Use With MIA11019)
..	LG499590	PISTON REPLACEMENT KIT	2		.50 MM (.020") , OS; ORDER MIA11102
..	MIA11102	PISTON REPLACEMENT KIT	2		.50 MM (.020") , OS (Includes Piston, Rings And Lock)



MP40106

<https://www.ebooklibonline.com>

Hello dear friend!

Thank you very much for reading.

Enter the link into your browser.

The full manual is available for immediate download.

<https://www.ebooklibonline.com>