

PU01598

KEY	PART NO.	PART NAME	QTY	Serial No.	REMARKS
1	UC11104	DIPSTICK	1		SUB FOR LG499602
1	MIU13965	COVER	1		(Not Illustrated) USE WITH MIA12443; SUB FOR LG499602
2	LG691031	O-RING	1		
3	LG691036	DIPSTICK	1		
4	LG691032	SEAL	1		
5	LG691037	OIL TUBE	1		
6	M153266	SCREW	1		
7	LG391086S	SEAL	1		
8	MIA11778	SEAL KIT	1		(Sub For LG499585)
9	LG690959	DOWEL PIN	1		
10	MIA11345	CYLINDER	1		ORDER MIA12493
10	MIA13087	CYLINDER	1		SUB FOR APPL MIA12493
11	MIU13979	GASKET	1		SUB FOR M150226; (A)
12	LG690770	SCREEN	1		(A)
12	MIU12140	SCREEN	1		USE WITH MIA11398, MIA11399 OR MIA11584
13	LG691680	DRAIN PLUG	1		(A)
13	LG690946	DRAIN PLUG	1		NLA; ORDER 15H623 (Use With MIA11398, MIA11399 Or MIA11584)
13	15H623	PIPE PLUG	1		3/8"
14	LG690954	THREADED NIPPLE	1		(A)
15	15H638	PIPE PLUG	1		1/8", (A)
16	MIU11958	SEAL	1		(A) (Sub For MIU11212)
17	M142284	SEAL	1		NLA; ORDER MIU11284; Governor Crank
17	MIU11284	SEAL	1		(A), USE WITH MIA11584
18	M142281	BUSHING	1		(A) Governor Crank
19	AM134054	RESERVOIR	1		(Sub MIA11584) (Includes Parts Marked (A))
19	MIA11584	RESERVOIR	1		(Sub For MIA11460) (Also Includes MIU12143, MIA11464 Or (3) MIU12142)
20	AM125424	OIL FILTER	1		
21	LG690957	RETAINER	1		
22	MIU11502	BREATHER	1		(Sub For LG690956)
23	LG691108	SCREW	3		
23	37H74	SCREW	3		(Use With MIA11398 Or MIA11399)

<https://www.ebooklibonline.com>

Hello dear friend!

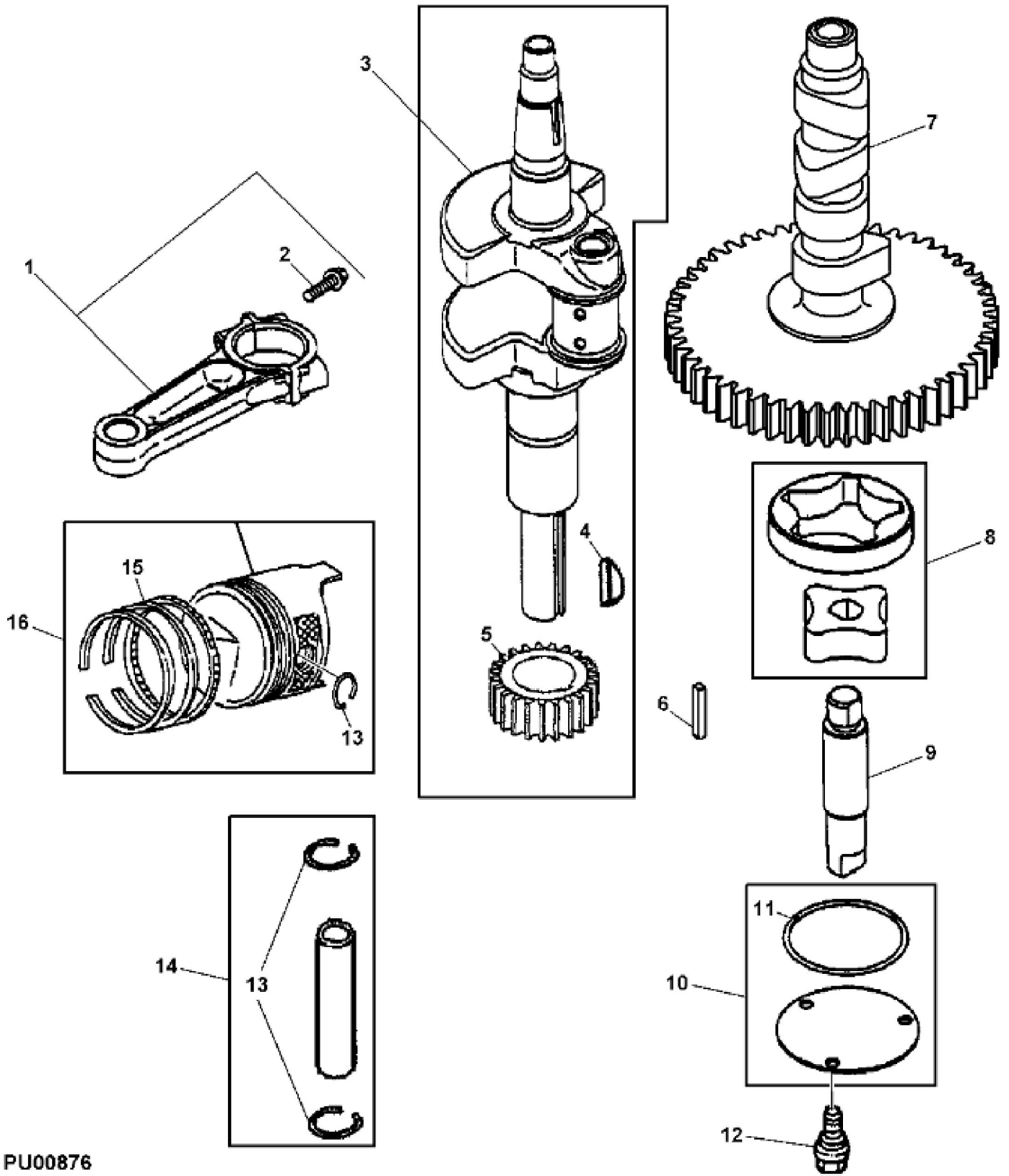
Thank you very much for reading.

Enter the link into your browser.

The full manual is available for immediate download.

<https://www.ebooklibonline.com>

KEY	PART NO.	PART NAME	QTY	Serial No.	REMARKS
24	MIU14443	TUBE	1		SUB FOR MIU11280
25	LG690937	GASKET	1		Breather
26	MIA10872	BREATHER	1		
27	M142896	SCREW	10		
28	LG691045	CRANK	1		Governor
29	M142282	BUSHING	2		
30	M142286	RETAINER	1		
31	M142280	WASHER	1		
32	GC00331	SCREW	4		NLA; ORDER GX24210; Engine Mounting
32	GX24210	SCREW	4		
33	AM131611	DRAIN PLUG	1		Oil Drain
34	TUBE	1		
35	T77932	O-RING	1		
36	M144897	CAP	1		
37	PM37469	LIQUID GASKET	1		
38	LG692125	CAP SCREW	1		(Not Illustrated) USE WITH MIA11584
..	MIA11019	GASOLINE ENGINE	1	_____-200000	(Marked 407777-0188-B1)
..	MIA11020	GASOLINE ENGINE	1	_____-200000	(Not Illustrated) NLA; MARKED 407777-0189-G1; ORDER MIA12443; (California)
..	MIA11398	GASOLINE ENGINE	1	200001-300000	BRIGGS 49 State; (Sub MIA11896)
..	MIA11399	GASOLINE ENGINE	1	200001-300000	California (Marked 407777-0145-G1) (Sub MIA11896)
..	MIA11897	GASOLINE ENGINE	1	300001-____	(Sub For MIA11843 Or MIA11637) (Marked 407777-0232-B1) (SubMIA12075)
..	MIA11638	GASOLINE ENGINE	1	300001-____	California (Marked 407777-0272-G1)
..	MIA12075	GASOLINE ENGINE	1		(22HP, 49ST, FIFO)
..	MIA12443	GASOLINE ENGINE	1		(Not Illustrated) SUB FOR MIA11638



PU00876



Suggest:

For more complete manuals. Please go to the home page.

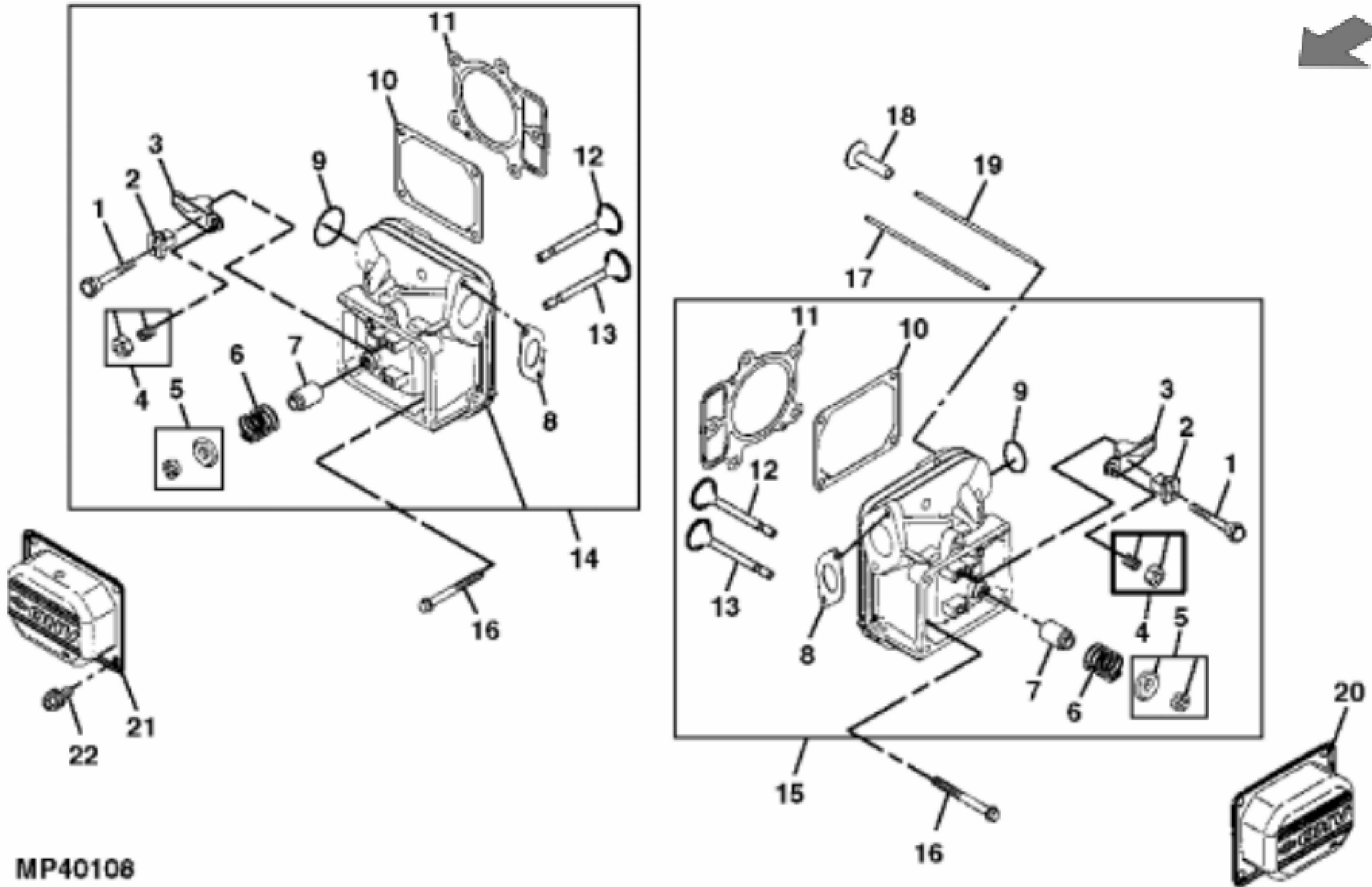
<https://www.ebooklibonline.com>

If the above button click is invalid. Please download this document first, and then click the above link to download the complete manual.

Thank you so much for reading

>ST245433 - CRANKSHAFT AND PISTON

KEY	PART NO.	PART NAME	QTY	Serial No.	REMARKS
1	MIA11459	CONNECTING ROD	2		(Sub For AM135101)
2	LG690976	SCREW	2		
3	AM135083	CRANKSHAFT	1		(Sub MIA11457)
3	MIA11457	CRANKSHAFT	1		(Includes LG690980)
4	26H4	SHAFT KEY	1		1/8" X 3/8"
5	LG690980	GEAR	1		Timing
6	LG222698S	SHAFT KEY	1		Flywheel
7	MIA10916	CAMSHAFT	1		(Includes (4) LG690977)
7	M151221	CAMSHAFT	1		(Includes (4) LG690977) (Use With MIA11019)
8	MIA11172	OIL PUMP	1		(Includes Parts Marked (A))
8	MIU12143	OIL PUMP	1		(Includes Parts Marked (A)) (Use With MIA11398, MIA11399 Or MIA11584)
9	SHAFT	1		(A)
10	LG499613	COVER	1		
10	MIA11464	COVER	1		(Use With MIA11398, MIA11399 Or MIA11584)
11	LG690589	SEAL	1	____-200000	
11	MIU12153	SEAL	1	200001-____	(Use With MIA11398, MIA11399 Or MIA11584)
12	M151228	SCREW	3		
12	MIU12142	SCREW	3		(Use With MIA11398, MIA11399 Or MIA11584)
13	LG690975	LOCK	4		
14	LG690229	PISTON PIN	2		
14	MIA11458	PISTON PIN	2		(Use With MIA11398 Or MIA11399)
15	MIU12013	PISTON RING KIT	1		STD (Use With MIA11346) (Sub For MIU12180)
15	PISTON RING KIT	2		.50 MM (.020") , OS (ORDER MIA11102)
16	MIA11346	PISTON	2		STD
16	MIA10877	PISTON	2		STD (Use With MIA11019)
..	LG499590	PISTON REPLACEMENT KIT	2		.50 MM (.020") , OS; ORDER MIA11102
..	MIA11102	PISTON REPLACEMENT KIT	2		.50 MM (.020") , OS (Includes Piston, Rings And Lock)



MP40106

<https://www.ebooklibonline.com>

Hello dear friend!

Thank you very much for reading.

Enter the link into your browser.

The full manual is available for immediate download.

<https://www.ebooklibonline.com>