

>ST245180 - CRANKCASE

KEY	PART NO.	PART NAME	QTY	Serial No.	REMARKS
1	MIU11635	PLUG	1		
2	MIA11594	SCREEN	1		(SUB FOR MIU11718)
3	MIU11638	SCREW	2	____-200000	Flywheel Fan
3	MIU12152	SCREW	2	200001-____	Flywheel Fan
4	MIU12167	FAN	1		(Flywheel) (SUB FOR MIU11722)
5	M153303	SCREW	1		
6	AM135134	FLYWHEEL	1		
7	LG691265	SNAP RING	1		
8	LG693713	PINION	1		
9	M147508	SCREW	2		
10	MIU11682	TUBE	1		(SUB FOR M147499)
11	MIU11631	COVER	1		
12	GASKET	1		(Make From M64850)
13	M147507	SCREW	2		
14	M147501	BREATHER	1		Reed
15	LG399265	BEARING	1		NLA; ORDER MIA11778
15	MIA11778	SEAL KIT	1		
16	LG391086S	SEAL	1		
17	M147497	BUSHING	1		Governor
18	LG692407	SEAL	1		Governor
19	LG690959	DOWEL PIN	1		
20	OIL TUBE	1		
21	T77932	O-RING	1		
22	M144897	CAP	1		
23	AM131611	DRAIN PLUG	1		
24	MIU12709	SCREEN	1		SUB FOR LG690770)
25	M147513	GASKET	1		
26	MIU11958	SEAL	1		PTO Side (SUB FOR MIU11212)
27	15H638	PIPE PLUG	1		1/8"
28	AM135143	RESERVOIR	1		NLA; ORDER MIA12717; SUB FOR MIA11429
28	MIA12717	RESERVOIR	1		
29	MIA11211	CYLINDER HEAD	1		NLA; ORDER MIA12502
29	MIA12502	CYLINDER	1		
30	LG692125	CAP SCREW	10		

<https://www.ebooklibonline.com>

Hello dear friend!

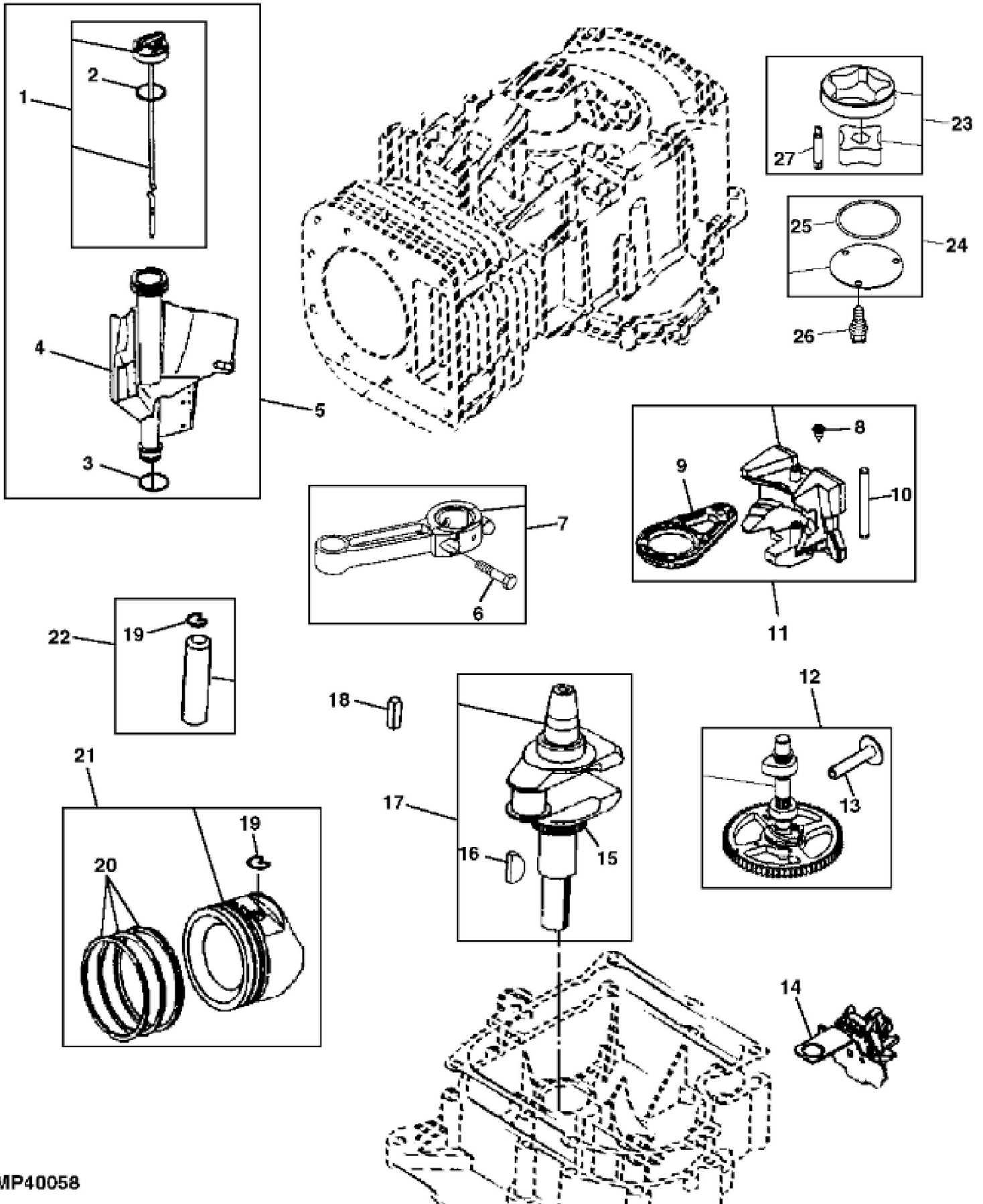
Thank you very much for reading.

Enter the link into your browser.

The full manual is available for immediate download.

<https://www.ebooklibonline.com>

KEY	PART NO.	PART NAME	QTY	Serial No.	REMARKS
31	MIU11713	SHIELD	1		Cylinder
32	LG691003	CAP SCREW	2		
33	AM125424	OIL FILTER	1		
34	PM37469	LIQUID GASKET	AR		
35	MIA10696	BALL	1		(NLA) (Spring)
..	MIA11017	GASOLINE ENGINE	1		(Marked 331877-0113-B1) (SUB MIA11396)
..	MIA11018	GASOLINE ENGINE	1	____-200000	(Marked 331877-0114-G1) (California)
..	MIA11396	GASOLINE ENGINE	1	____-300000	(Marked 331877-0142-B1) (SUB MIA11635)
..	MIA11397	GASOLINE ENGINE	1	200001-300000	(California) (Marked 331877-0143-G1) (SUB MIA11894)
..	MIA11635	GASOLINE ENGINE	1	300001-____	NLA; (49 State, Canada And Australia) (Marked 331877-0146-B1)
..	MIA11636	GASOLINE ENGINE	1	300001-____	(California) (Marked 331877-0141-G1) (SUB MIA11894)
..	MIA11636	GASOLINE ENGINE	1	300001-____	(California) (Marked 331877-0141-G1) (SUB MIA11894)



MP40058



Suggest:

For more complete manuals. Please go to the home page.

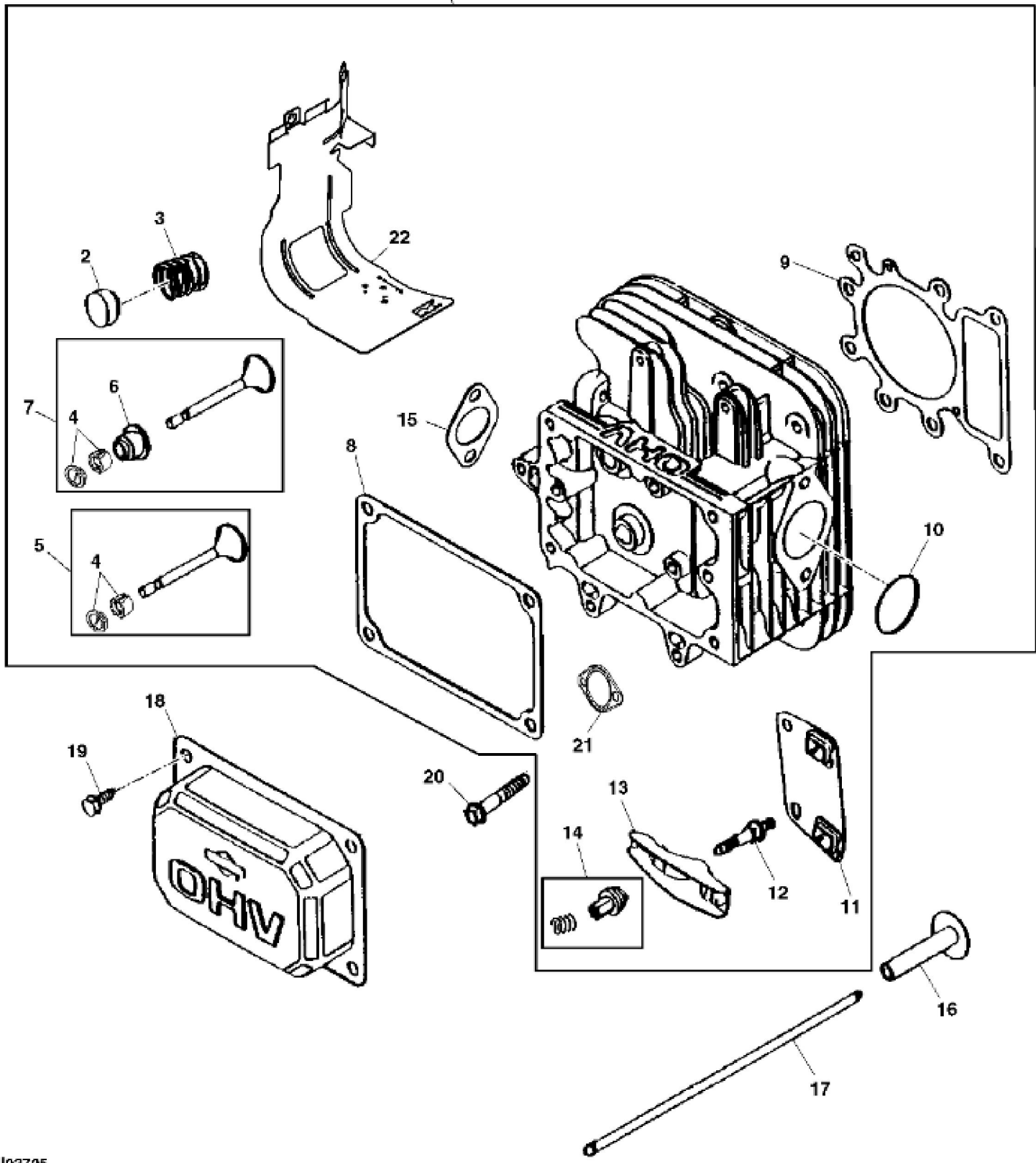
<https://www.ebooklibonline.com>

If the above button click is invalid. Please download this document first, and then click the above link to download the complete manual.

Thank you so much for reading

KEY	PART NO.	PART NAME	QTY	Serial No.	REMARKS
1	AM135145	DIPSTICK	1		
2	LG691031	O-RING	1		
3	LG691032	SEAL	1		
4	M152554	DIPSTICK TUBE	1		
5	AM135144	DIPSTICK TUBE	1		
6	MIU11051	SCREW	2		
7	MIA11126	CONNECTING ROD	1		
8	MIU11437	PLUG	1		
9	MIU11436	LINK	2		
10	M152556	PIN	1		
11	MIA10989	COUNTERWEIGHT	1		
12	MIA11377	CAMSHAFT	1		(SUB FOR MIA11157)
13	LG690564	TAPPET	2		
14	LG691968	OIL SLINGER	1		
15	M147512	GEAR	1		TIMING
16	LG691639	SHAFT KEY	1		
17	MIA10982	CRANKSHAFT	1		
18	LG222698S	SHAFT KEY	1		SUB FOR MIU12716; Flywheel
19	M152553	LOCK	2		
20	MIU11715	PISTON RING KIT	1		
20	MIU11716	PISTON RING KIT	1		(.50 MM (.020")), OS
21	MIA11213	PISTON	1		(SUB MIA11780)
21	MIA11215	PISTON	1		(.50 MM (.020")), OS (SUB MIA11782)
21	MIA11780	PISTON	1	300001-_____	(STANDARD)
21	MIA11782	PISTON	1	300001-_____	(0.20"), OVERSIZE
22	MIA11216	PISTON PIN	1		
22	MIA11781	PISTON PIN	1	300001-_____	
23	MIA11172	OIL PUMP	1		
24	LG499613	COVER	1		
25	LG690589	SEAL	1		
26	MIU11119	SCREW	3		
27	SHAFT	2		OIL PUMP (ORDER MIA11172)

1



<https://www.ebooklibonline.com>

Hello dear friend!

Thank you very much for reading.

Enter the link into your browser.

The full manual is available for immediate download.

<https://www.ebooklibonline.com>