

PU01597

John Deere > Turf And Utility >TRACTOR, LAWN AND GARDEN >LA120 - TRACTOR, LAWN AND GARDEN >LA120 Tractor (100 Series) with 42-Inch Mower Deck >20 ENGINE GU20566 >ST642195 - CYLINDER BLOCK AND DIPSTICK

KEY	PART NO.	PART NAME	QTY	REMARKS
1	UC11104	DIPSTICK	1	SUB FOR LG499602
1	MIU13965	COVER	1	(Not Illustrated) USE WITH MIA12443
2	LG691031	O-RING	1	
3	LG691036	DIPSTICK	1	
4	LG691032	SEAL	1	
5	LG691037	OIL TUBE	1	
6	LG691108	SCREW	1	8 X 1/2
7	LG391086S	SEAL	1	
8	MIA11778	SEAL KIT	1	(SUB FOR LG499585)
9	LG690959	DOWEL PIN	6	
10	MIA10607	CYLINDER	1	NLA; ORDER MIA11033
10	MIA11033	CYLINDER	1	ORDER MIA12510
10	MIA13076	CYLINDER	1	SUB FOR MIA12510
10	MIA11345	CYLINDER	1	ORDER MIA12493; USE WITH MIA11020
10	MIA13087	CYLINDER BLOCK	1	SUB FOR APPL MIA12493
11	MIU14436	GASKET	1	SUB FOR M150226 AND MIU13979
12	LG690770	SCREEN	1	
12	MIU12140	SCREEN	1	(USE WITH MIA11584)
13	LG691680	DRAIN PLUG	1	
13	LG690946	DRAIN PLUG	1	NLA; ORDER 15H623 (USE WITH MIA11584)
13	15H623	PIPE PLUG	1	3/8"
14	LG690954	THREADED NIPPLE	1	
15	15H638	PIPE PLUG	1	1/8"
16	MIU11958	SEAL	1	(SUB FOR MIU11212)
17	MIU11284	SEAL	1	GOVERNOR SHAFT
18	M142281	BUSHING	1	GOVERNOR CRANK
19	AM134054	RESERVOIR	1	NLA (SUB MIA11584)
19	MIA11584	RESERVOIR	1	(ALSO INCLUDES MIU12143, MIA11464 AND (3) MIU12142)
20	AM125424	OIL FILTER	1	
21	LG690957	RETAINER	1	
22	MIU11502	BREATHER	1	(SUB FOR LG690956)
23	LG691108	SCREW	3	8 X 1/2
24	MIU14443	TUBE	1	SUB FOR MIU11280
25	LG690937	GASKET	1	

<https://www.ebooklibonline.com>

Hello dear friend!

Thank you very much for reading.

Enter the link into your browser.

The full manual is available for immediate download.

<https://www.ebooklibonline.com>

KEY	PART NO.	PART NAME	QTY	REMARKS
26	MIA10872	BREATHER	1	
27	M142896	SCREW	10	
28	LG691045	CRANK	1	GOVERNOR
29	M142282	BUSHING	2	
30	M142286	RETAINER	2	
31	M142280	WASHER	1	
32	GC00331	SCREW	4	NLA; ORDER GX24210; Engine Mounting
32	GX24210	SCREW	4	
33	AM131611	DRAIN PLUG	1	OIL DRAIN
34	TUBE	1	
35	T77932	O-RING	1	
36	M144897	CAP	1	
37	LG692125	CAP SCREW	1	(Not Illustrated) USE WITH MIA11584
..	MIA10807	GASOLINE ENGINE	1	(MARKED 441677-0113-E1)
..	MIA11020	GASOLINE ENGINE	1	NLA; MARKED 441677-0131-E1; ORDER MIA12443; SUB FOR MIA10832
..	MIA12443	GASOLINE ENGINE	1	NLA; ORDER MIA12623
..	MIA12623	GASOLINE ENGINE	1	MARKED 44R677-0001-G1



Suggest:

For more complete manuals. Please go to the home page.

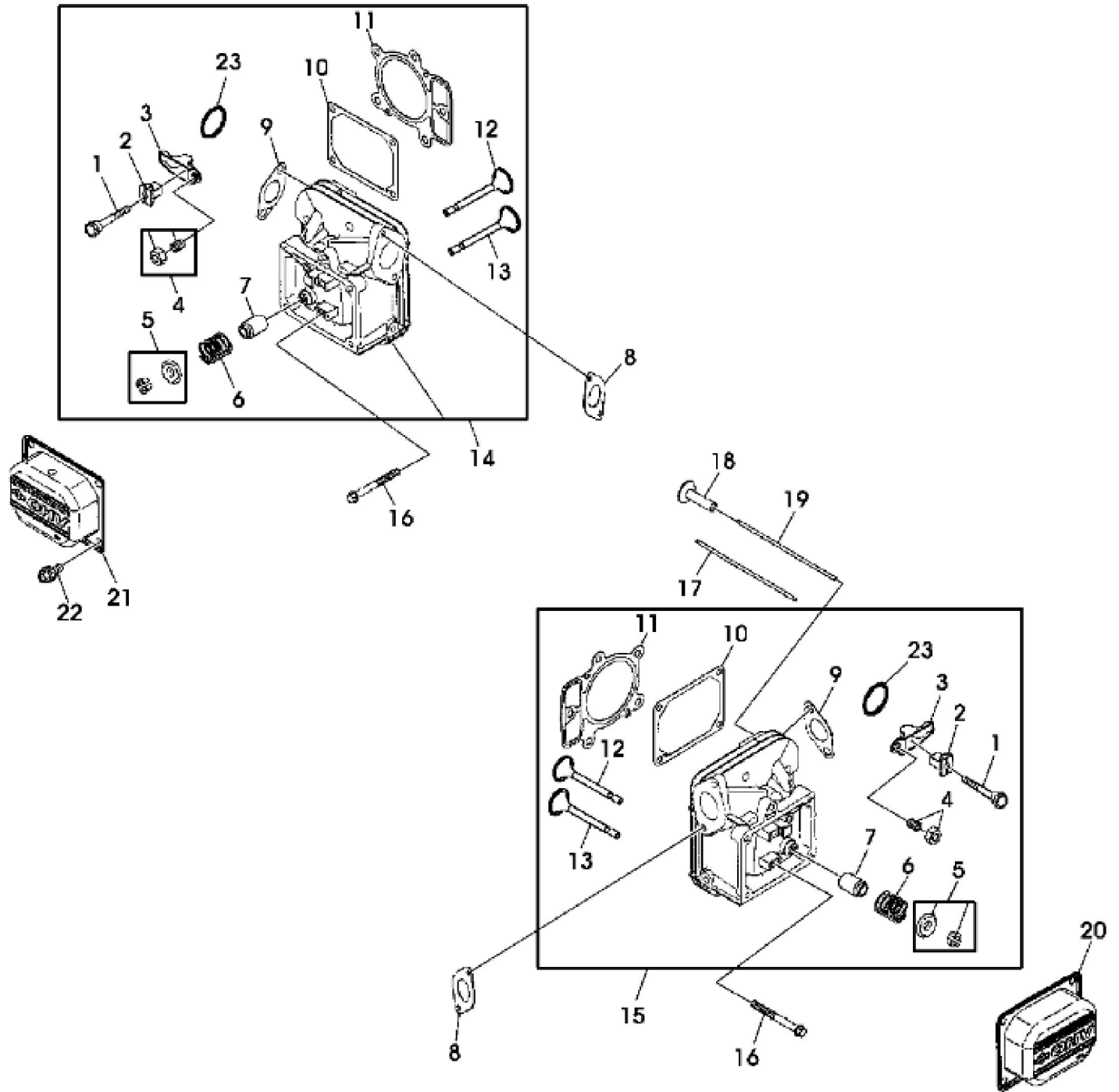
<https://www.ebooklibonline.com>

If the above button click is invalid. Please download this document first, and then click the above link to download the complete manual.

Thank you so much for reading

CRANKSHAFT AND PISTON

KEY	PART NO.	PART NAME	QTY	REMARKS
1	MIA11459	CONNECTING ROD	2	(SUB FOR AM135101)
2	LG690976	SCREW	2	
3	AM135083	CRANKSHAFT	1	(SUB MIA11457)
3	MIA11457	CRANKSHAFT	1	(INCLUDES LG690980)
4	26H67	SHAFT KEY	1	1/8" X 3/8", (SUB FOR 26H4)
5	LG690980	GEAR	1	TIMING
6	LG222698S	SHAFT KEY	1	FLYWHEEL
7	MIA10916	CAMSHAFT	1	CAM (INCLUDES (4) LG690977)
8	LG499054	OIL PUMP	1	(SUB MIA11172)
8	MIA11172	OIL PUMP	1	(USE WITH MIA11020)
8	MIU12143	OIL PUMP	1	(USE WITH MIA11584)
9	LG691042	SHAFT	1	NLA; ORDER MIA11172
9	MIA11172	OIL PUMP	1	
10	LG499613	COVER	1	
10	MIA11464	COVER	1	(USE WITH MIA11584)
11	LG690589	SEAL	1	
11	MIU12153	SEAL	1	(USE WITH MIA11584)
12	M151228	SCREW	3	
12	MIU12142	SCREW	3	(USE WITH MIU12143)
13	LG690975	LOCK	2	
14	LG690229	PISTON PIN	2	
15	MIU11282	PISTON RING KIT	1	STD
15	MIU11283	PISTON RING KIT	1	.020" OS
15	MIU12013	PISTON RING KIT	4	STD (USE WITH MIA11020)
16	MIA10877	PISTON	2	STD
16	MIA10878	PISTON	2	.020" OS
16	MIA11102	PISTON	1	(.020" OS), (USE WITH MIA11020) (INCLUDES LG690975)
16	MIA11346	PISTON	2	STD (USE WITH MIA11020) (INCLUDES (4) LG690975)



PU01284

<https://www.ebooklibonline.com>

Hello dear friend!

Thank you very much for reading.

Enter the link into your browser.

The full manual is available for immediate download.

<https://www.ebooklibonline.com>