

| KEY | PART NO.  | PART NAME  | QTY | Serial No. | REMARKS  |
|-----|-----------|------------|-----|------------|--|
| 1   | MIU11635  | CAP        | 1   |            |  |
| 2   | MIA13017  | SCREEN KIT | 1   |            | USE WITH MIA12224 AND MIA12436; SUB FOR MIU11634 AND MIA11525  |
| 2   | MIA11594  | SCREEN     | 1   |            | MARKED 33R877-0004-G1  |
| 3   | MIU12152  | SCREW      | 2   |            | Engine Marked 31P677-0239-B1   |
| 4   | MIU12139  | FAN        | 1   |            | (SUB FOR MIU11637 ) (USE WITH MIA11015, MIA11633, MIA11634, MIA12225 AND MIA11841) (Engine Marked 31P677-0239-B1) Flywheel |
| 4   | MIU12159  | FAN        | 1   |            | (Engine Marked 31P677-0140-B1, 31P677-0141-G1)   |
| 5   | M153303   | SCREW      | 1   |            |  |
| 6   | AM135134  | FLYWHEEL   | 1   |            | USE WITH MIA12224  |
| 6   | MIA12501  | FLYWHEEL   | 1   |            | MARKED 33R877-0004-G1  |
| 7   | LG691265  | SNAP RING  | 1   |            |  |
| 8   | LG693713  | PINION     | 1   |            |  |
| 9   | M147508   | SCREW      | 2   |            |  |
| 10  | MIU11682  | TUBE       | 1   |            |  |
| 11  | MIU11631  | COVER      | 1   |            | Breather Passage   |
| 12  | .....     | GASKET     | 1   |            | (MAKE FROM M64850)   |
| 12  | M147564   | GASKET     | 1   |            | (USE WITH MIA11633, MIA11634, MIA12225 AND MIA11841) (Engine Marked 31P677-0239-B1) Breather                               |
| 13  | M147507   | SCREW      | 2   |            |  |
| 14  | M147501   | BREATHER   | 1   |            | Reed   |
| 15  | MIA11419  | CYLINDER   | 1   |            | SUB FOR MIA11101   |
| 15  | MIA12502  | CYLINDER   | 1   |            | MARKED 33R877-0004-G1  |
| 16  | LG391086S | SEAL       | 1   |            | Oil  |
| 17  | M147497   | BUSHING    | 1   |            | Governor   |
| 18  | LG692407  | SEAL       | 1   |            | Governor   |
| 19  | LG690959  | DOWEL PIN  | 2   |            |  |
| 20  | .....     | OIL TUBE   | 1   |            | (ORDER AM131611)   |
| 21  | T77932    | O-RING     | 1   |            |  |
| 22  | M144897   | CAP        | 1   |            |  |
| 23  | AM131611  | OIL TUBE   | 1   |            | Drain  |
| 24  | MIU12709  | SCREEN     | 1   |            | (SUB FOR LG690770)   |
| 25  | M147513   | GASKET     | 1   |            |  |

**<https://www.ebooklibonline.com>**

Hello dear friend!

Thank you very much for reading.

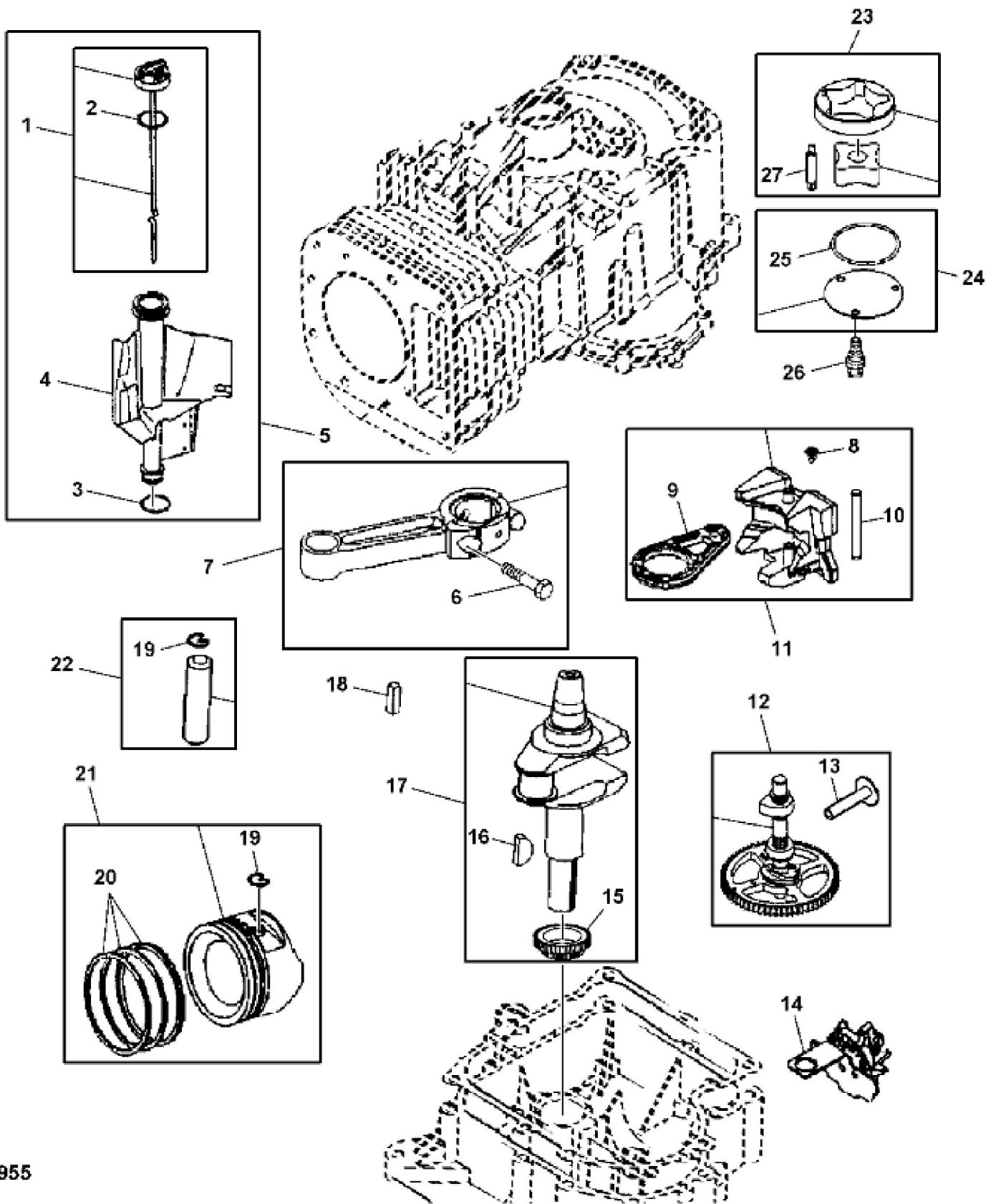
Enter the link into your browser.

The full manual is available for immediate download.

**<https://www.ebooklibonline.com>**

| KEY | PART NO. | PART NAME            | QTY | Serial No.  | REMARKS  |
|-----|----------|----------------------|-----|-------------|--|
| 26  | MIU11958 | SEAL                 | 1   |             | PTO Side (SUB FOR MIU11212)  |
| 27  | 15H638   | PIPE PLUG            | 1   |             | 1/8"   |
| 28  | AM135143 | RESERVOIR            | 1   |             | NLA; ORDER MIA12717; SUB FOR MIA11429                                |
| 28  | MIA12717 | RESERVOIR            | 1   |             |  |
| 29  | GC00331  | SCREW                | 4   |             | NLA; ORDER GX24210; Engine Mounting                                  |
| 29  | GX24210  | SCREW                | 4   |             |  |
| 30  | 15H623   | PIPE PLUG            | 1   |             | 3/8", (SUB FOR LG690946)   |
| 31  | LG692125 | CAP SCREW            | 10  |             |  |
| 32  | AM125424 | OIL FILTER           | 1   |             | MARKED 33R877-0004-G1, 31P677-0557-B2                                |
| 33  | PM37469  | LIQUID GASKET        | AR  |             |  |
| 34  | LG399265 | BEARING              | 1   |             | NLA; ORDER MIA11778  |
| 34  | MIA11778 | SEAL KIT             | 1   |             |  |
| 35  | MIU12155 | WASHER               | 1   |             |  |
| 36  | MIA10696 | BALL                 | 1   |             | (NLA) (And Spring)   |
| 37  | MIU13976 | WASHER               | 1   |             | MARKED 33R877-0004-G1; USE WITH MIA11594                             |
| 38  | MIA11014 | GASOLINE ENGINE      | 1   |             | (Not Illustrated) MARKED 31P677-0132-B1; (SUB MIA11243)              |
| 38  | MIA11015 | GASOLINE ENGINE      | 1   | ____-200000 | (Not Illustrated) MARKED 31P677-0134-G1; (California                 |
| 38  | AM134602 | SHORT BLOCK ASSEMBLY | 1   |             | (Not Illustrated) MARKED 31P677-0134-G1) (California                 |
| 38  | MIA11841 | GASOLINE ENGINE      | 1   |             | (ORDER MIA11015)<br>(Not Illustrated) ORDER MIA11893; MARKED 31P677- |
| 38  | MIA11395 | GASOLINE ENGINE      | 1   |             | 0144-B3; (SUB MIA11893) (SUB FOR MIA11243,                           |
| 38  | MIA11634 | GASOLINE ENGINE      | 1   |             | MIA11394 OR MIA11633)  |
| 38  | MIA12070 | GASOLINE ENGINE      | 1   |             | (Not Illustrated) ORDER MIA11634; MARKED 31P677-                     |
| 38  | MIA12225 | GASOLINE ENGINE      | 1   |             | 0141-G1; California  |
| 38  | MIA12437 | GASOLINE ENGINE      | 1   |             | (Not Illustrated) ORDER MIA12070; MARKED 31P677-                     |
| 38  | MIA11893 | GASOLINE ENGINE      | 1   |             | 0145-G1; California  |
| 38  | MIA12071 | GASOLINE ENGINE      | 1   |             | (Not Illustrated) ORDER MIA12225; California                         |
| 38  | MIA12224 | GASOLINE ENGINE      | 1   |             | (Not Illustrated) ORDER MIA12437                                     |
| 38  | MIA12436 | GASOLINE ENGINE      | 1   |             | (Not Illustrated) ORDER MIA12437                                     |
| 38  | MIA11893 | GASOLINE ENGINE      | 1   |             | (Not Illustrated) ORDER MIA12621                                     |
| 38  | MIA12071 | GASOLINE ENGINE      | 1   |             | (Not Illustrated) ORDER MIA12071; MARKED                             |
| 38  | MIA12224 | GASOLINE ENGINE      | 1   |             | 31P677-0239-B1   |
| 38  | MIA12436 | GASOLINE ENGINE      | 1   |             | (Not Illustrated) ORDER MIA12224                                     |
| 38  | MIA12436 | GASOLINE ENGINE      | 1   |             | (Not Illustrated) ORDER MIA12436                                     |
| 38  | MIA12436 | GASOLINE ENGINE      | 1   |             | (Not Illustrated) ORDER MIA12621; MARKED 31P677-                     |
| 38  | MIA12436 | GASOLINE ENGINE      | 1   |             | 0557-B2  |

| KEY | PART NO. | PART NAME       | QTY | Serial No. | REMARKS                                 |  |
|-----|----------|-----------------|-----|------------|---|--|
| 38  | MIA12621 | GASOLINE ENGINE | 1   |            | (Not Illustrated) MARKED 33R877-0004-G1 |  |



PU00955

| KEY | PART NO.  | PART NAME       | QTY | REMARKS   |
|-----|-----------|-----------------|-----|---|
| 1   | AM135145  | DIPSTICK        | 1   |   |
| 2   | LG691031  | O-RING          | 1   |   |
| 3   | LG691032  | SEAL            | 1   |   |
| 4   | M152554   | DIPSTICK TUBE   | 1   |   |
| 5   | AM135144  | DIPSTICK TUBE   | 1   |   |
| 6   | MIU11051  | SCREW           | 2   |   |
| 7   | MIA11126  | CONNECTING ROD  | 1   |   |
| 8   | MIU11437  | PLUG            | 1   |   |
| 9   | MIU11436  | LINK            | 2   |   |
| 10  | M152556   | PIN             | 1   |   |
| 11  | MIA10989  | COUNTERWEIGHT   | 1   |   |
| 12  | MIA11377  | CAMSHAFT        | 1   | (SUB FOR MIA11157)  |
| 13  | LG690564  | TAPPET          | 2   |   |
| 14  | LG691968  | OIL SLINGER     | 1   |   |
| 15  | M147512   | GEAR            | 1   | TIMING  |
| 16  | LG691639  | SHAFT KEY       | 1   |   |
| 17  | MIA10982  | CRANKSHAFT      | 1   |   |
| 18  | LG222698S | SHAFT KEY       | 1   | Flywheel  |
| 18  | MIU13972  | KEY             | 1   | MARKED 33R877-0004-G1   |
| 19  | M152553   | LOCK            | 2   |   |
| 20  | MIA10691  | PISTON RING KIT | 2   | STANDARD  |
| 20  | MIU11639  | PISTON RING KIT | 1   | (.50 MM (.020")), OS  |
| 20  | MIU11715  | PISTON RING KIT | 1   | MARKED 33R877-0004-G1; STD  |
| 21  | MIA11421  | PISTON          | 1   | (SUB FOR MIA10690) STANDARD   |
| 21  | MIA11430  | PISTON          | 1   | (.50 MM (.020")), OS (SUB FOR MIA10918)   |
| 21  | MIA11780  | PISTON          | 1   | MARKED 33R877-0004-G1   |
| 22  | AM132347  | PISTON PIN      | 1   |   |
| 22  | MIA11423  | PISTON PIN      | 1   | STANDARD (USE WITH MIA11243, MIA11395, MIA11633, MIA11634, MIA12225 AND MIA11841) |
| 22  | MIA11781  | PISTON PIN      | 1   | MARKED 33R877-0004-G1   |
| 23  | MIA11172  | OIL PUMP        | 1   |   |
| 24  | LG499613  | COVER           | 1   |   |
| 25  | LG690589  | SEAL            | 1   |   |
| 26  | MIU11119  | SCREW           | 3   |   |



**Suggest:**

**For more complete manuals. Please go to the home page.**

**<https://www.ebooklibonline.com>**

**If the above button click is invalid. Please download this document first, and then click the above link to download the complete manual.**

**Thank you so much for reading**

| KEY | PART NO. | PART NAME       | QTY | REMARKS                   |  |
|-----|----------|-----------------|-----|---------------------------|--|
| 27  | .....    | SHAFT           | 2   | OIL PUMP (ORDER MIA11172) |  |
| 28  | MIA12357 | PISTON RING KIT | 1   | (Not Illustrated)         |  |



**<https://www.ebooklibonline.com>**

Hello dear friend!

Thank you very much for reading.

Enter the link into your browser.

The full manual is available for immediate download.

**<https://www.ebooklibonline.com>**